

A²SI-Lite 14 / A²SI-Lite 16

Low End Device AS-Interface IC

Features

- AS-i Complete Specification V2.11 compliant
- Integrated EEPROM
- Extended address mode operation as programmable option (up to 62 slaves)
- Dedicated IO-port structure: two data inputs, two data outputs, no parameter port pins
- Optional PWM outputs
- Integrated watchdog
- Temperature range -25°C to + 85°C

Description

A²SI-Lite (A²SI-L) is a monolithic CMOS integrated circuit certified for AS-i (Actuator Sensor-interface) networks. AS-i networks are intended for industrial automation. This integrated circuit is dedicated to be used as simplified interface IC for key control panels, simple sensors and small actuators.

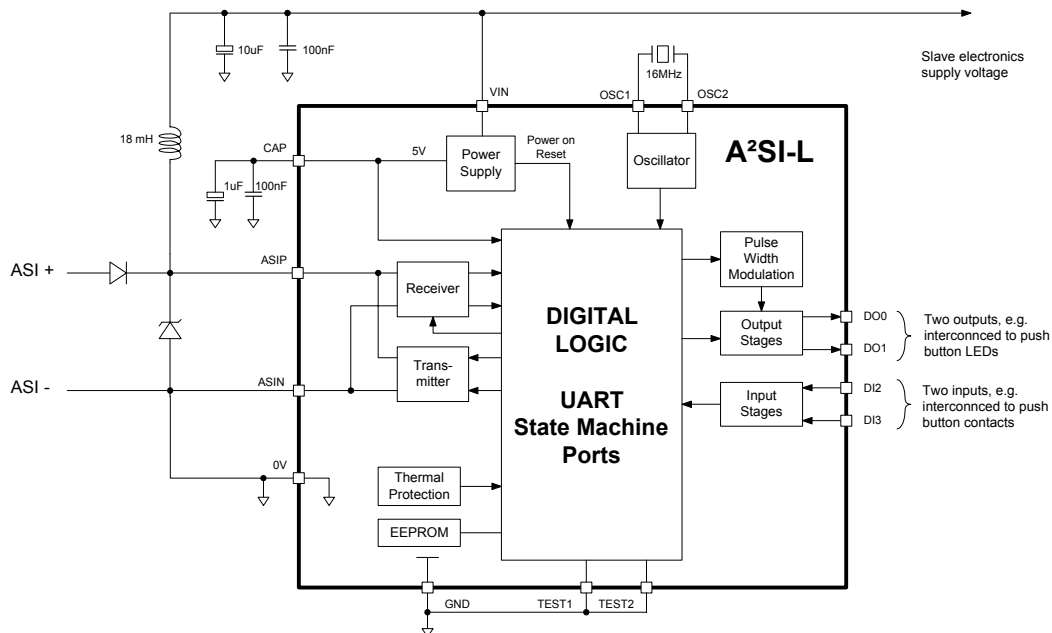
The main advantage of AS-i solutions is that actuators and sensors are connected using a two-wire unshielded cable that is easy to install. This cable transports both power and information/data.

AS-i network communication is based on the master-slave principle. The network can be extended (to cable lengths greater than 100m) by using the A²SI or A²SI-E in the repeater mode configuration.

AS-i is a standard for the automation industry based on IEC 62026-2 and EN 50295.

The device is available in a 14 and 16-pin SOP (150 mils) package.

Block Diagram

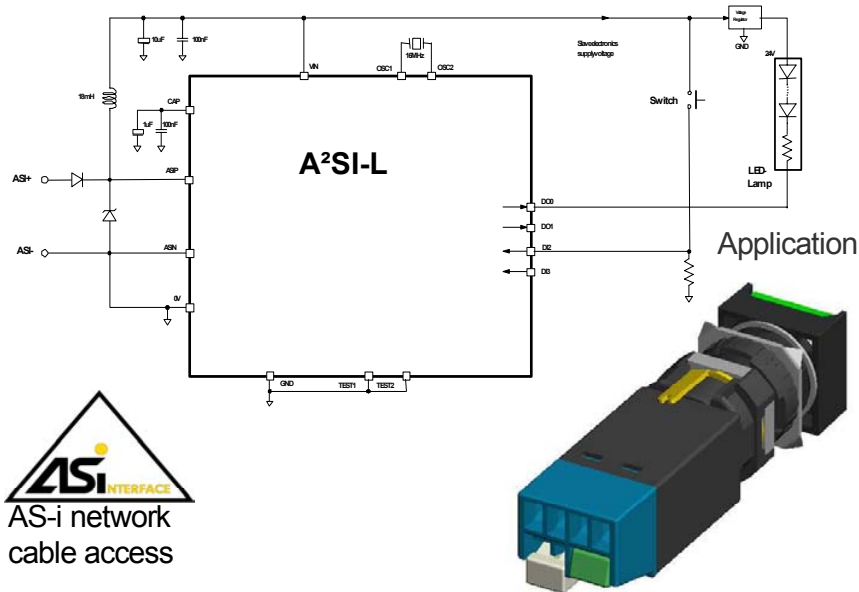


A²SI-Lite 14 / A²SI-Lite 16

Low End Device AS-Interface IC

Application

The AS-interface integrated circuit A²SI-L is dedicated for pushbutton and pilot light applications. In contrast to the integrated circuit A²SI-L16 (16-pin SOP package) the A²SI-L14 does not provide diagnostic pins.



Typical A²SI-Lite Pushbutton Application

Ordering Information

Ordering Code	Description	Operating Temperature Range	Package Type	Shipping Form
A2SI-L14-ST	14 pin version	-25°C to 85°C	SOP14 (150 mil)	Tubes (55 parts/tube)
A2SI-L14-SR	14 pin version	-25°C to 85°C	SOP14 (150 mil)	Tape-and-Reel (2500 parts/reel)
A2SI-L16-ST	16 pin version with FID / LED pin	-25°C to 85°C	SOP16 (150 mil)	Tubes (55 parts/tube)
A2SI-L16-SR	16 pin version with FID / LED pin	-25°C to 85°C	SOP16 (150 mil)	Tape-and-Reel (2500 parts/reel)

For further information:

ZMD AG

Grenzstrasse 28
01109 Dresden, Germany
Tel.: +49 (0)351.8822.366
Fax: +49 (0)351.8822.337
sales@zmd.de

ZMD America Inc.

201 Old Country Road, Suite 204
Melville, NY 11747
Tel.: (631) 549-2666
Fax: (631) 549-2882
sensors@zmda.com

WBC GmbH

Im Technologiepark 2-8
D-85586 Poing
Phone: +49 8121 775 155
Fax: +49 8121 775 592
juergen.dudda@wbc-europe.com