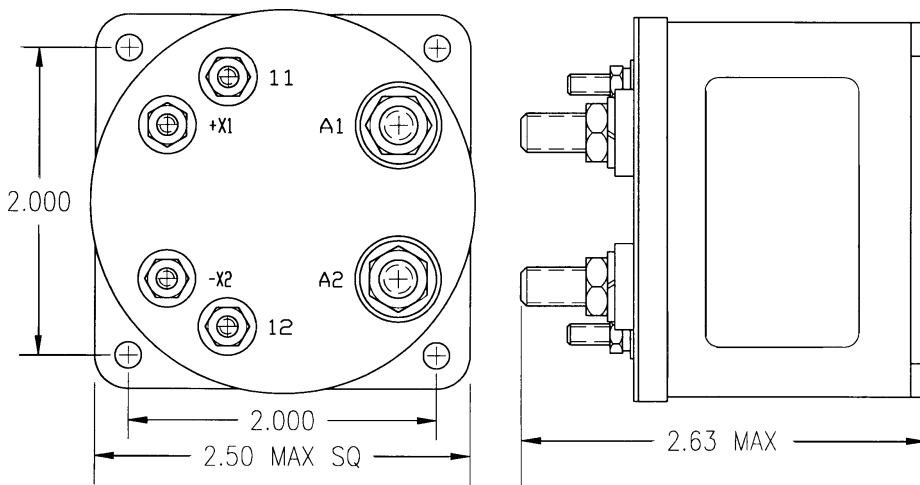


SD167A SPST, 100 Amps, 28 VDC

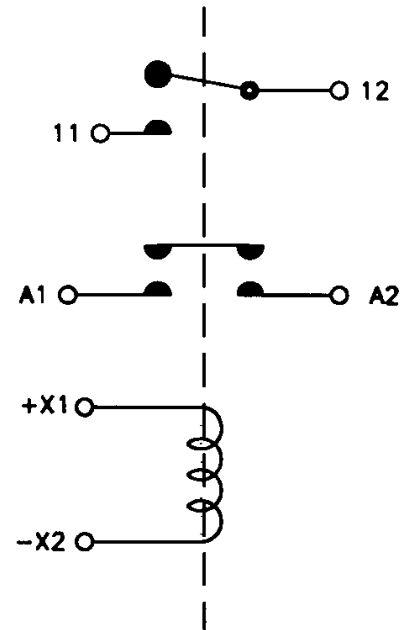
Features:

- SPST Main Contacts
- 28 VDC
- 100 Amps
- High Reliability
- Meets many requirements of MIL-R-6106
- Light Weight Construction



Dimensions for this product are expressed in inches. Multiply values by 25.4 for millimeters.

CONTACTOR CONFIGURATION



Notes:

For factory-direct application assistance, contact the HARTMAN product team at (419) 521-9500, Fax (419) 526-2749.

© 2004 by Tyco Electronics Corporation. All Rights Reserved. HARTMAN and TYCO are trademarks.

PRODUCT SPECIFICATIONS	
Construction	Gasket Sealed
Main Contacts:	
Configuration	SPST Side Stable
Voltage Nominal	28 VDC
Current Resistive	100 Amps
Inductive	100 Amps (10,000 Cycles)
Motor	80 Amps
Auxiliary Contacts:	
Configuration	SPST
Voltage Nominal	115/200 VAC, 400 Hz or 28 VDC
Current Resistive	5 Amps
Inductive	3 Amps
Lamp	1 Amp
Coil Data:	
Duty Cycle	Continuous
Operating Voltage	28 VDC
Operating Voltage Maximum	30 VDC
Pick-Up Voltage Maximum	18 VAC at 25°C
Drop-Out Voltage Maximum	1.5 - 7 VDC at 25°C
Coil Resistance	126 ±13 Ohms
Environmental Data:	
Operating Temperature Maximum	-55°C to +71°C
Life	
Electrical	50,000 Cycles
Mechanical	200,000 Cycles
Weight Maximum	12 Oz.