

**PLEASE CHECK WWW.MOLEX.COM FOR LATEST PART INFORMATION**

**Part Number:** [0354031002](#)  
**Status:** **Active**  
**Description:** Crimp Terminal 35403, 0.30 (.0005) to 0.85 (.0013) AWG

**Documents:**

<a href="#">Drawing (PDF)</a>	<a href="#">Product Specification PS-35867-001 (PDF)</a>
<a href="#">Product Specification PS-35354-003 (PDF)</a>	<a href="#">RoHS Certificate of Compliance (PDF)</a>

**General**

Product Family	Crimp Terminals
Series	35403
Crimp Quality Equipment	Yes
Product Name	N/A

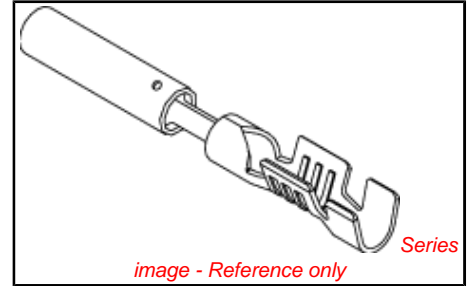
**Physical**

Gender	Female
Material - Metal	Phosphor Bronze
Material - Plating Mating	Tin
Material - Plating Termination	Tin
Packaging Type	Reel
Plating min: Mating (µin)	32.00
Plating min: Mating (µm)	0.800
Plating min: Termination (µin)	32.00
Plating min: Termination (µm)	0.80
Termination Interface: Style	Crimp or Compression
Wire Insulation Diameter	1.40-1.90mm (.055-.075")
Wire Size AWG	18, 22
Wire Size mm²	N/A

**Material Info**

**Reference - Drawing Numbers**

Product Specification	PS-35354-003, PS-35867-001
Sales Drawing	SD-35403-1002



*image - Reference only*

**EU RoHS**

**ELV and RoHS  
Compliant**

**REACH SVHC  
Contains SVHC: No  
Halogen-Free  
Status**

**Halogen-Free**

**Need more information on product  
environmental compliance?**

Email [productcompliance@molex.com](mailto:productcompliance@molex.com)  
For a multiple part number RoHS Certificate of  
Compliance, [click here](#)

Please visit the [Contact Us](#) section for any  
non-product compliance questions.

**China RoHS**



**Search Parts in this Series**

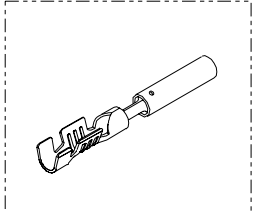
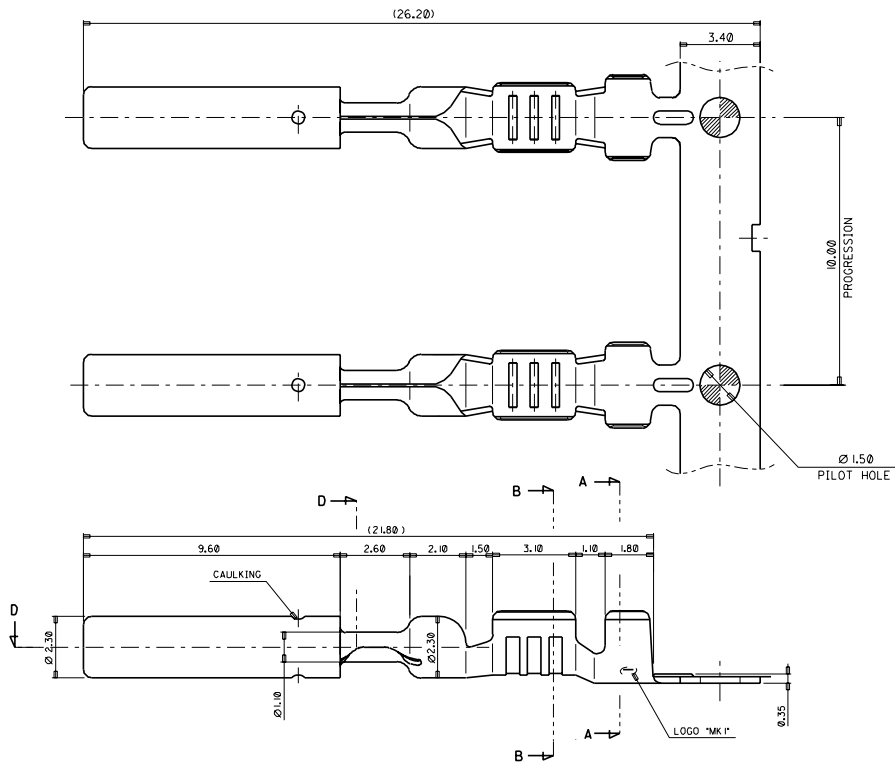
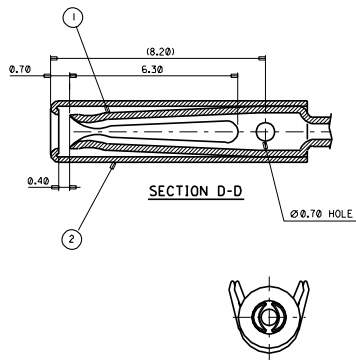
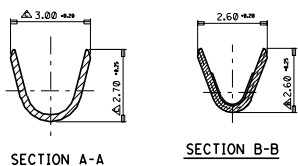
35403Series

**Use With**

35246 Housing

**PLEASE CHECK WWW.MOLEX.COM FOR LATEST PART INFORMATION**

PROJECT NO. 5035403-1002  
 ENG. NO. 5035403-1002  
 EDP NO.  
 SIMILAR ITEM  
 PROJECT NO.



- NOTE
1. RECOMMENDED LENGTH OF WIRE STRIP: 4.0-4.6.
  2. FINISH: CIRCULOCK F/TER'L BODY(TIN PLATING), SLEEVE(TIN PLATING).
  3. WIRE RANGE(mm)<sup>2</sup> AVS(AVSS) 0.3 - 0.85
  4. MATERIAL

NO.	ENG. NO.	PART NAME	MATERIAL
1	35402-8002	CIRCULOCK F/TER'L BODY	COPPER ALLOY THICKNESS 0.25
2	35401-9102	SLEEVE	BRASS (THICKNESS: 0.25)

MATERIAL		SEE NOTE	MOLEX MOLEX-KOREA CO.,LTD.	
CHANGED TITLE	KOH/HP/ 856 97.02.4	GENERAL TOLERANCE DIMENSION ±0.30	DRAWN BY B.C.YOON	CHK'D BY
CHANGED DIM'S	KH/ 888 97.07.21	ANGLE ± 2	APP'D BY	SCALE 10/1
CHANGED FORM & DIM'S	97-014 97.02.14	DIMENSION CLASSIFICATION: CRITICAL (MAJOR REFERENCE)	TITLE: CIRCULOCK FEMALE TER'L	SHEET
NEW RELEASED	96-132 96.12.2	KEY: PART DESCRIPTION	ENG. NO. 5035403-1002	REV D
LTR REVISION RECORD	ECN DATE	REVISION ONLY ON CAD SYSTEM	4 THIS DRAWING CONTAINS INFORMATION THAT IS PROPRIETARY TO MOLEX/KOREA AND SHOULD NOT BE USED WITHOUT WRITTEN PERMISSION. (MEX-A21ANS1420,580)	