

PLEASE CHECK WWW.MOLEX.COM FOR LATEST PART INFORMATION

Part Number: [0351970401](#)
Status: **Active**
Description: 1.27mm (.050") Tab Multiple Wire-to-Board Female Housing, 2.50mm (.098") Pitch, 4 Circuits

Documents:

[Drawing \(PDF\)](#) [RoHS Certificate of Compliance \(PDF\)](#)
[Product Specification PS-35339-001 \(PDF\)](#)

General

Product Family Crimp Housings
 Series [35197](#)
 Product Name N/A

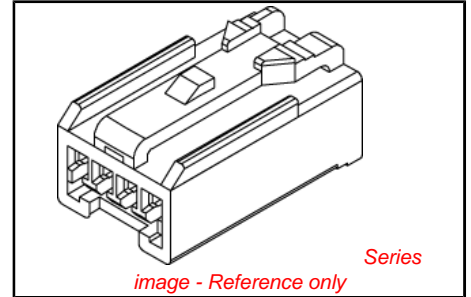
Physical

Circuits (maximum) 4
 Color - Resin Black
 Gender Female
 Glow-Wire Compliant No
 Material - Resin Polyester
 Number of Rows 1
 Packaging Type Bag
 Panel Mount No
 Pitch - Mating Interface (in) 0.098 In
 Pitch - Mating Interface (mm) 2.50 mm
 Temperature Range - Operating -40°C to +120°C

Material Info

Reference - Drawing Numbers

Product Specification PS-35339-001
 Sales Drawing SD-35197-001

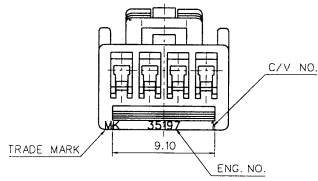
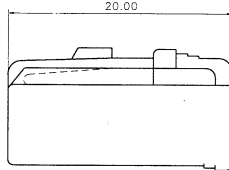
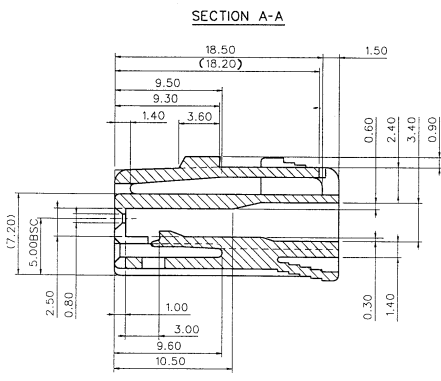
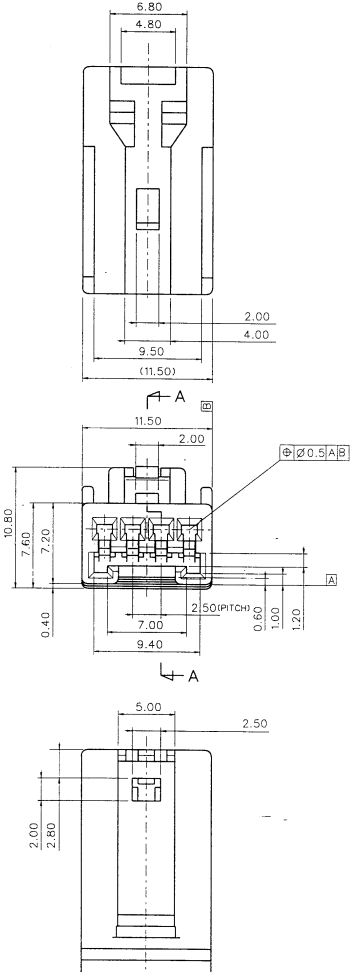


<p>EU RoHS ELV and RoHS Compliant REACH SVHC Not Reviewed Halogen-Free Status Halogen-Free</p>	<p>China RoHS</p> 
<p>Need more information on product environmental compliance?</p> <p>Email productcompliance@molex.com For a multiple part number RoHS Certificate of Compliance, click here</p> <p>Please visit the Contact Us section for any non-product compliance questions.</p>	

<p>Search Parts in this Series 35197Series</p>
<p>Mates With 35339</p>
<p>Use With 50418</p>

PLEASE CHECK WWW.MOLEX.COM FOR LATEST PART INFORMATION

PROJECT NO. SIMILAR ITEM EDP NO. ENG. NO. S035197-0401



NOTE
 1. MATERIAL: PBT
 COLOR: BLACK
 2. APPLICABLE TERMINAL: 50418-8*00

MATERIAL		SEE NOTE	molex MOLEX-KOREA CO.,LTD.	
GENERAL TOLERANCE		DIMENSION : ± 0.30	DRAWN BY	CHK'D BY
ANGLE :		1°	RHO: 95.10.31	D. K. Cho
DIMENSION CLASSIFICATION		() : REFERENCE	APP'D BY	SCALE
▽ : CRITICAL		▼ : MAJOR		3/1
A	NEW RELEASE	96-119	96.10.25	TITLE
LTR	REVISION RECORD	ECN	DATE	050 W/B FEMALE HS'G 4P
REVISE ONLY ON CAD SYSTEM		ASS'Y PART DESCRIPTION		ENG. NO.
				S035197-0401
				SHEET
				108 /
				REV
				A

THIS DRAWING CONTAINS INFORMATION THAT IS PROPRIETARY TO MOLEX(KOREA) AND SHOULD NOT BE USED WITHOUT WRITTEN PERMISSION
 MX-A3(ANSI-290,420)