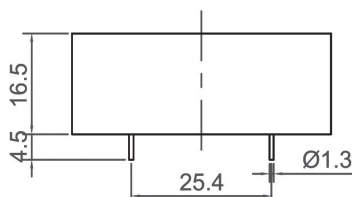
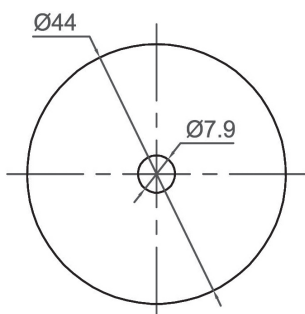
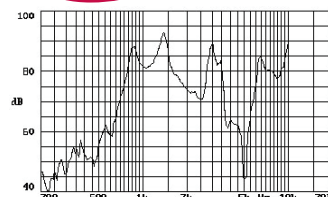


External Drive Piezo Transducer (AC)



CPT4416

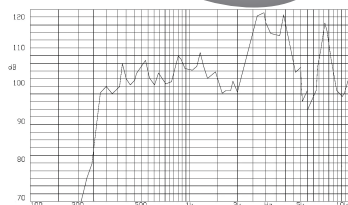
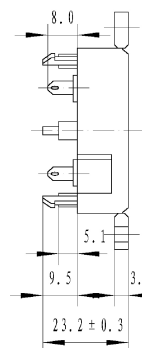
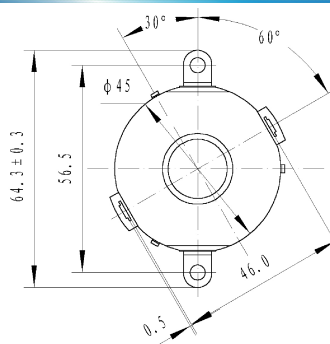


Canopus Part no.	Min sound Output (dBA)	Rated Voltage (V)	Max Input Voltage (V)	Resonant Frequency (Hz)	Capacitance (pF)	Operating Temperature (°C)	Housing	Weight (g)
CPT4416C10BP	700 AT 10cm	3 Vrms	30 Vp-p	1000	80000 ± 30% at 120Hz	-20 ~ +70	ABS	12

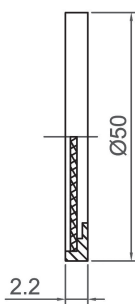
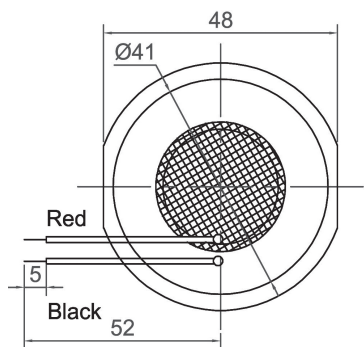
CANOPUS



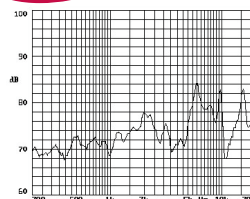
CPT4514



Canopus Part no.	Min sound Output (dBA)	Rated Voltage (V)	Max Input Voltage (V)	Resonant Frequency (Hz)	Capacitance (pF)	Operating Temperature (°C)	Housing	Weight (g)
CPT4514I32L	100 AT 30cm	12 Vrms	40 Vrms	3200	25000 ± 30% at 120Hz	-40 ~ +105	ABS	1



CPT5002



Canopus Part no.	Min sound Output (dBA)	Rated Voltage (V)	Max Input Voltage (V)	Resonant Frequency (Hz)	Capacitance (pF)	Operating Temperature (°C)	Housing	Weight (g)
CPT5002C200BW	-	30 Vp-p	30 Vp-p	500 ~ 20000	120000 ± 30% at 120Hz	-20 ~ +70	ABS	2.5

Your Efficient Supplier
www.canopus.com.hk

TEL.: (852) 2806 2812

Fax: (852) 2652 2216