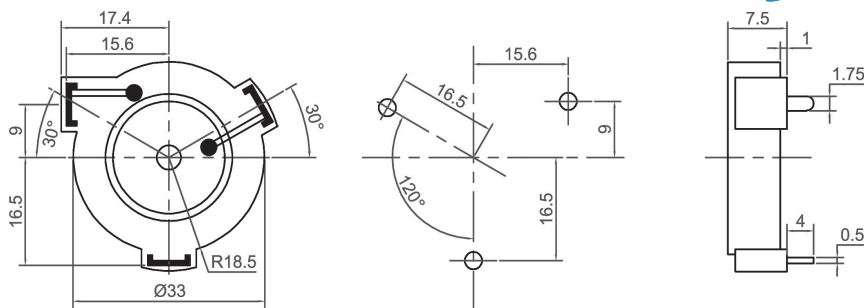
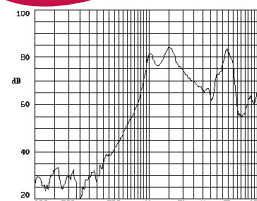


External Drive Piezo Transducer (AC)



CPT3307

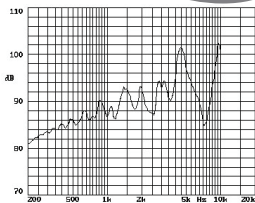
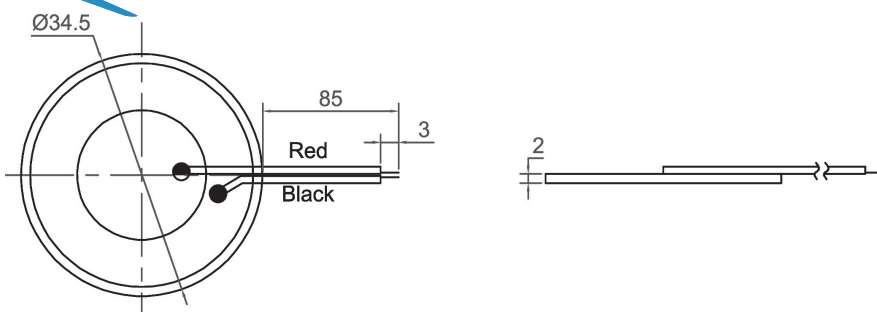


Canopus Part no.	Min sound Output (dBA)	Rated Voltage (V)	Max Input Voltage (V)	Resonant Frequency (Hz)	Capacitance (pF)	Operating Temperature (°C)	Housing	Weight (g)
CPT3307C10BP	70 AT 10cm	3 Vrms	45 Vp-p	1000	50000 ± 30% at 1000Hz	-20 ~ +70	ABS	8

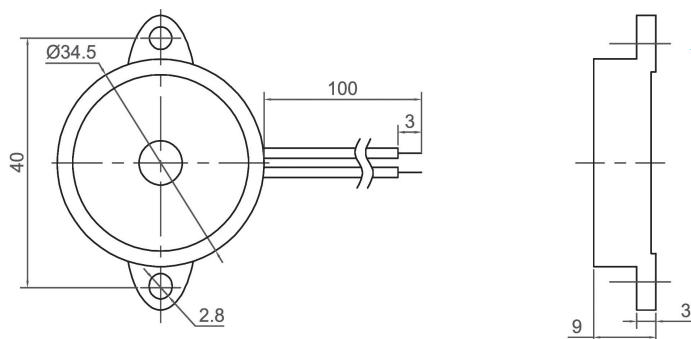
CANOPUS



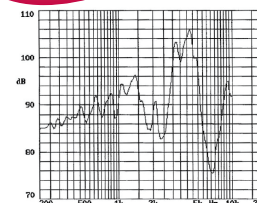
CPT3402



Canopus Part no.	Min sound Output (dBA)	Rated Voltage (V)	Max Input Voltage (V)	Resonant Frequency (Hz)	Capacitance (pF)	Operating Temperature (°C)	Housing	Weight (g)
CPT3402M13BW	80 AT 10cm	30 Vp-p	40 Vp-p	1300	45000 ± 30% at 1000Hz	-20 ~ +60	ABS	2



CPT3409



Canopus Part no.	Min sound Output (dBA)	Rated Voltage (V)	Max Input Voltage (V)	Resonant Frequency (Hz)	Capacitance (pF)	Operating Temperature (°C)	Housing	Weight (g)
CPT3409C12BW	70 AT 10cm	3 Vrms	30 Vp-p	1200	50000 ± 30% at 120Hz	-20 ~ +70	ABS	6
CPT3409G11BW	85 AT 10cm	9 Vp-p	30 Vp-p	1100	55000 ± 30% at 120Hz	-20 ~ +70	ABS	6
CPT3409G18BW	80 AT 10cm	9 Vp-p	30 Vp-p	1800	28000 ± 30% at 1000Hz	-20 ~ +60	ABS	6

Your Efficient Supplier
www.canopus.com.hk

TEL.: (852) 2806 2812

Fax: (852) 2652 2216