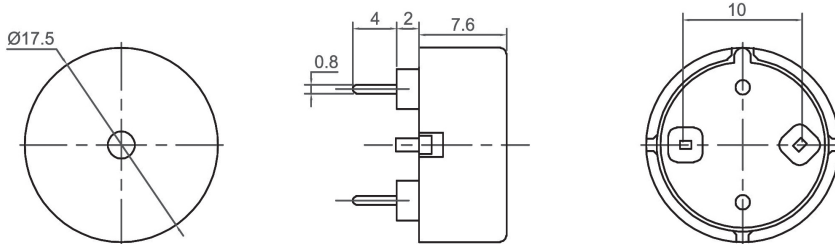
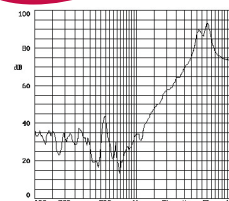


# External Drive Piezo Transducer (AC)

CANOPUS



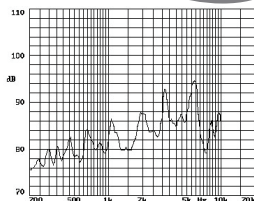
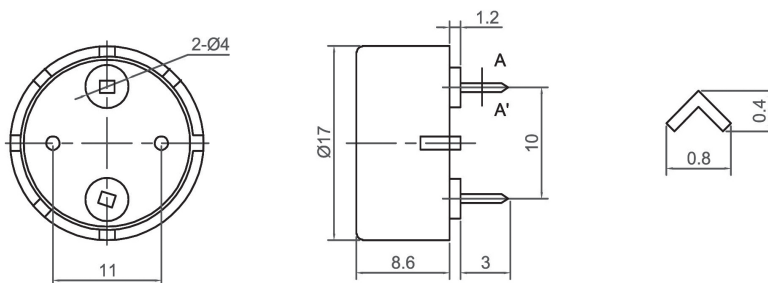
CPT1708



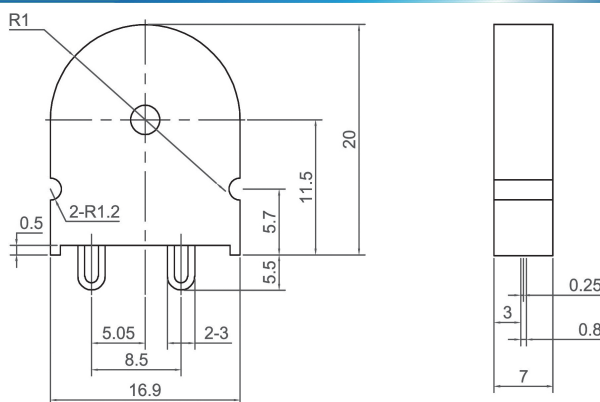
Canopus Part no.	Min sound Output (dBA)	Rated Voltage (V)	Max Input Voltage (V)	Resonant Frequency (Hz)	Capacitance (pF)	Operating Temperature (°C)	Housing	Weight (g)
CPT1708C40TP	85 AT 10cm	3 Vp-p	30 Vrms	4000	14000 ± 30% at 1000Hz	-20 ~ +60	PBT	2



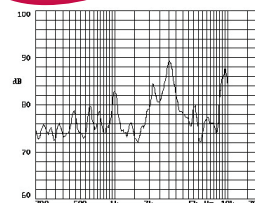
CPT1709



Canopus Part no.	Min sound Output (dBA)	Rated Voltage (V)	Max Input Voltage (V)	Resonant Frequency (Hz)	Capacitance (pF)	Operating Temperature (°C)	Housing	Weight (g)
CPT1709G20NP	78 AT 10cm	9 Vp-p	25 Vrms	2000	25000 ± 30% at 1000Hz	-20 ~ +60	Noryl	1



CPT2007



Canopus Part no.	Min sound Output (dBA)	Rated Voltage (V)	Max Input Voltage (V)	Resonant Frequency (Hz)	Capacitance (pF)	Operating Temperature (°C)	Housing	Weight (g)
CPT2007G22TPA	80 AT 10cm	9 Vp-p	30 Vrms	2200	22000 ± 30% at 1000Hz	-30 ~ +80	PBT	2

**Your Efficient Supplier**  
[www.canopus.com.hk](http://www.canopus.com.hk)

TEL.: (852) 2806 2812

Fax: (852) 2652 2216