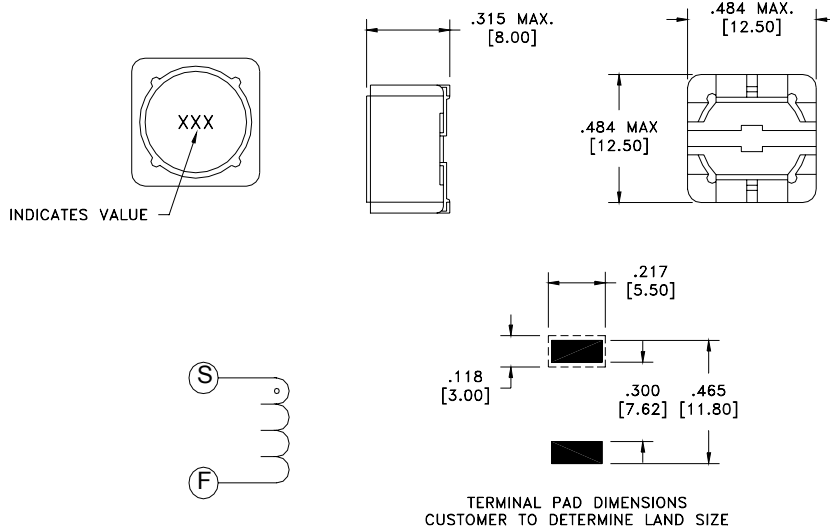


# Surface Mount Drum Core Power Inductors: DSS-4832 Series



## Features

- Magnetically shielded, SMD power inductors
- Small footprint with low-profile package
- Inductance range: 1.2 uH to 1000 uH
- Saturating current to 9.8ADC
- DC Resistances as low as 0.007 Ohms
- High energy storage capability
- Flat top for pick and place operations
- Tape and reel packaging for automatic handling

## Applications

- DC/DC Converters, high efficiency shielded applications
- Second stage filters

## Environmental Specifications

- Operating temperature range: -40°C to 85°C
- Storage temperature range: -50° to +125°C

## Packaging

- DSS-4832 is packaged 500 pieces per reel

Part Number	Inductance uH +/- 20%	(Note 1) DCR (ohms max)	(Note 2) Isat (Adc max)
DSS-4832-1R2R	1.20	0.0070	9.80
DSS-4832-2R4R	2.40	0.0115	8.00
DSS-4832-3R5R	3.50	0.0135	7.50
DSS-4832-4R7R	4.70	0.0158	6.80
DSS-4832-6R1R	6.10	0.0176	6.60
DSS-4832-7R6R	7.60	0.0200	5.90
DSS-4832-100R	10.00	0.0216	5.40
DSS-4832-120R	12.00	0.0243	4.90
DSS-4832-150R	15.00	0.0270	4.50
DSS-4832-180R	18.00	0.0392	3.90
DSS-4832-220R	22.00	0.0432	3.60
DSS-4832-270R	27.00	0.0459	3.40
DSS-4832-330R	33.00	0.0648	3.00
DSS-4832-390R	39.00	0.0729	2.75
DSS-4832-470R	47.00	0.100	2.50
DSS-4832-560R	56.00	0.110	2.35

Part Number	Inductance uH +/- 20%	(Note 1) DCR (ohms max)	(Note 2) Isat (Adc max)
DSS-4832-680R	68.00	0.140	2.10
DSS-4832-820R	82.00	0.160	1.95
DSS-4832-101R	100.00	0.220	1.70
DSS-4832-121R	120.00	0.250	1.60
DSS-4832-151R	150.00	0.280	1.42
DSS-4832-181R	180.00	0.350	1.30
DSS-4832-221R	220.00	0.390	1.16
DSS-4832-271R	270.00	0.560	1.06
DSS-4832-331R	330.00	0.640	0.950
DDS-4832-391R	390.00	0.700	0.880
DDS-4832-471R	470.00	0.980	0.790
DDS-4832-561R	560.00	1.07	0.930
DDS-4832-681R	680.00	1.46	0.670
DDS-4832-821R	820.00	1.64	0.600
DDS-4832-102R	1000.00	1.82	0.550

## NOTES:

- 1 DCR limits at 20°C
- 2 Saturating DC current for approximately 35% rolloff from initial inductance