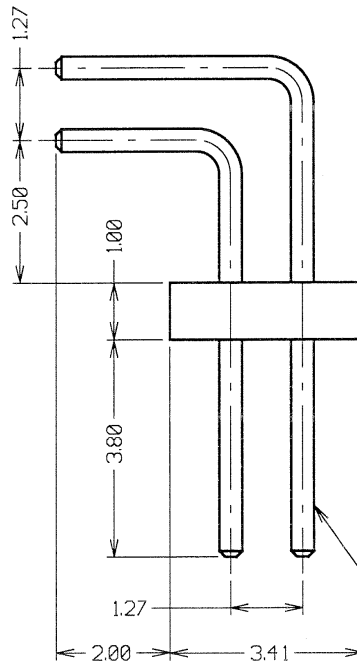
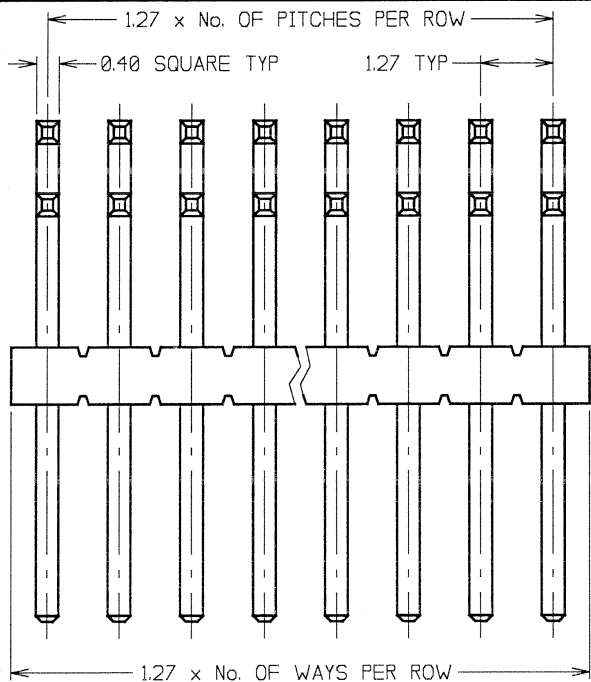


Customer Information Sheet

DRAWING No.: M50-390XX42 SHEET 2 OF 2 IF IN DOUBT - ASK © NOT TO SCALE THIRD ANGLE PROJECTION ALL DIMENSIONS IN mm



SPECIFICATIONS:

MATERIAL:
 MOULDING = NYLON-6T UL94V-0
 CONTACT = PHOSPHOR BRONZE

FINISH:
 CONTACT = 0.02-0.08µ GOLD ON CONTACT AREA,
 2.5-3.8µ 100% TIN ON TAILS

ELECTRICAL:
 CURRENT RATING (ALL CONTACTS ARE ELECTRICALLY LOADED) = 1 AMP
 CONTACT RESISTANCE = 30 MILLIOHMS MAX
 INSULATION RESISTANCE = 5000 MEGOHMS MIN
 DIELECTRIC WITHSTANDING = 600V AC MIN

MECHANICAL:
 PIN RETENTION = 4.4N MIN
 SOLDERABILITY = 250°C FOR 3 TO 5 SECONDS
 DURABILITY = 600 CYCLES

ENVIRONMENTAL:
 TEMPERATURE RANGE = -40°C TO +105°C

PACKING:
 TRAY

FOR COMPLETE SPECIFICATION, SEE COMPONENT SPECIFICATION C029XX (LATEST ISSUE).

ORDER CODE:
M50-390XX42

No. OF WAYS PER ROW
 01 TO 50

FINISH:
 42 = SELECTIVE GOLD + 100% TIN

- NOTES:
- ALL TOLERANCES ARE ±0.25 UNLESS OTHERWISE STATED.
 - RECOMMENDED HOLE SIZE = $\varnothing 0.65 \pm 0.05\text{mm}$.

JMB	8	07.04.06	9151
NAME	ISS.	DATE	C/NOTE
APPROVED:	<i>[Signature]</i>		
CHECKED:	<i>[Signature]</i>		
DRAWN:	J. KEIR		
CUSTOMER REF.:			
ASSEMBLY DRG.:			

HARWIN

HARWIN USA TEL: 603 893 5376 FAX: 603 893 5396 mis@harwin.com	HARWIN Europe (UK) TEL: 023 9231 4545 FAX: 023 9231 4590 mis@harwin.co.uk	HARWIN Asia TEL: +65 6 779 4909 FAX: +65 6 779 3868 mis@harwin.com.sg
--	--	--

THIS DRAWING AND ANY INFORMATION OR DESCRIPTIVE MATTER SET OUT HEREON ARE CONFIDENTIAL AND COPYRIGHT PROPERTY OF THE HARWIN GROUP AND MUST NOT BE DISCLOSED, LOANED, COPIED OR USED FOR MANUFACTURING, TENDERING OR FOR ANY OTHER PURPOSE WITHOUT THEIR WRITTEN PERMISSION.

TOLERANCES

X. = ±1mm
 X.X = ±0.25mm
 X.XX = ±0.10mm
 X.XXX = ±0.01mm
 ANGLES = ±5°
 UNLESS STATED

MATERIAL:
 SEE ABOVE

FINISH:
 SEE ABOVE

S/AREA:
 mm²

TITLE:
 1.27mm PITCH DIL HORIZONTAL PIN HEADER

DRAWING NUMBER:
M50-390XX42

SHT
 2 OF
 2