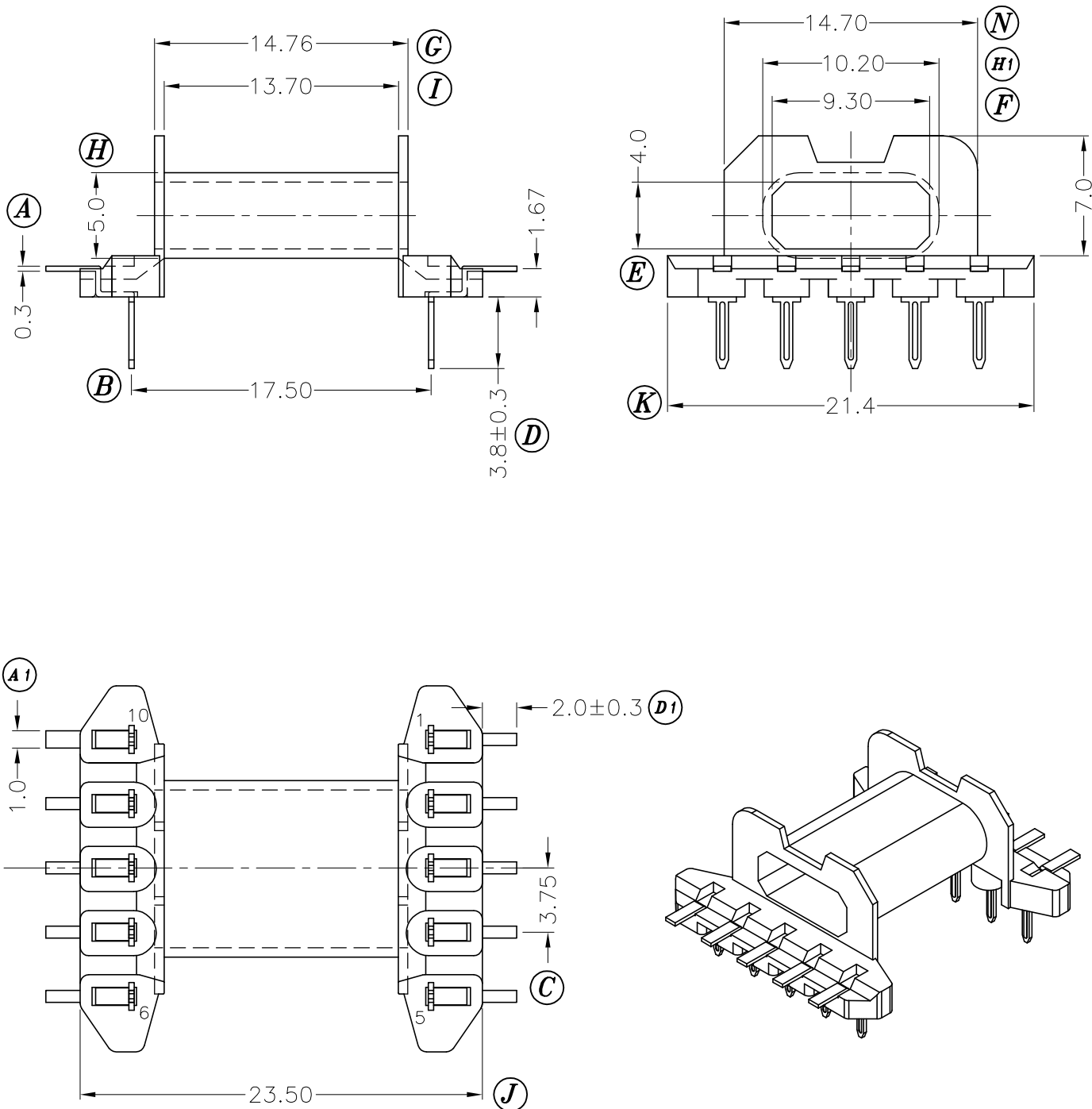


# FERYSTER Inductive Components

ul. Traugutta 4 , 68-120 Iłowa Poland

http://www.feryster.com.pl e-mail: info@feryster.com.pl



<b>DOSTAWCA:</b>	TOLERANCES		ANGLE:	TITLE: <b>EFD20-K-H-10P</b>		
	$0 < L \leq 4 \pm 0.1$	pin pitch	$\pm 1^\circ$	BOBBIN MATERIAL:	LCP E4008	UL REC. UL 94V-0
FERYSTER Inductive Components Tel: +48 68 360 00 76 fax: +48 68 360 00 70	$4 < L \leq 16 \pm 0.2$	$\pm 0.2$	UNIT:	PIN MATERIAL:	PHOSPHOR BRONZE	PIN TENSION LOAD: 1.5KG MIN.
	$16 < L \leq 63 \pm 0.3$	$\pm 0.2$	ORIGIN:	DATE:	APR.07 '2003	DRAWING NO. P-2023
						REV. 1