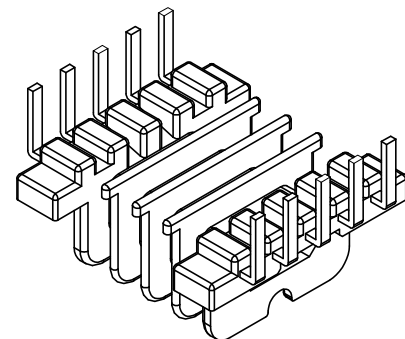
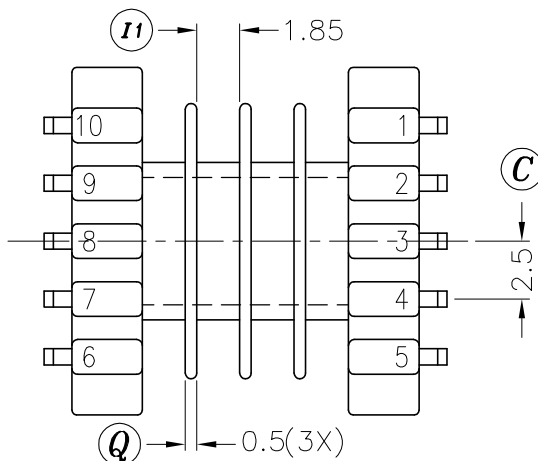
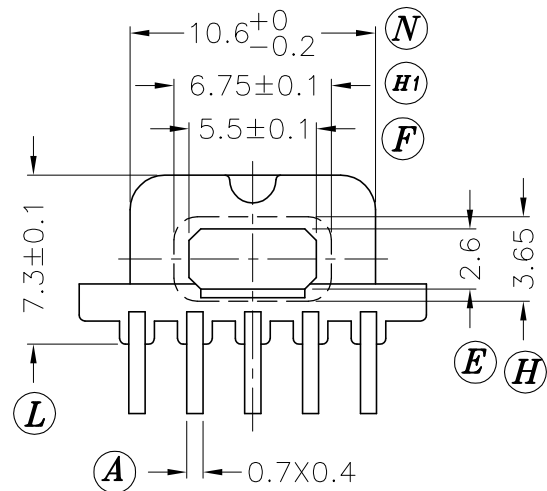
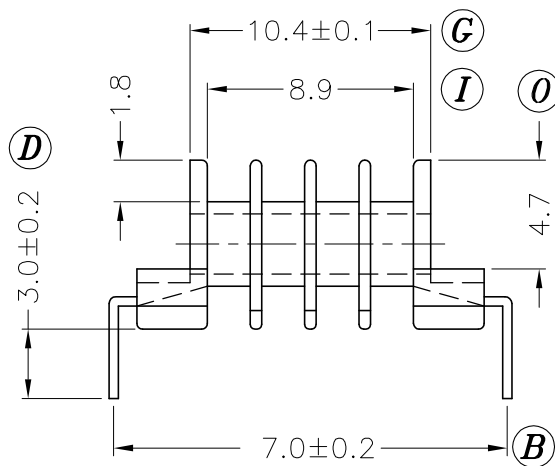
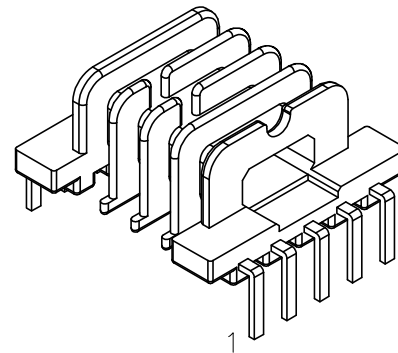
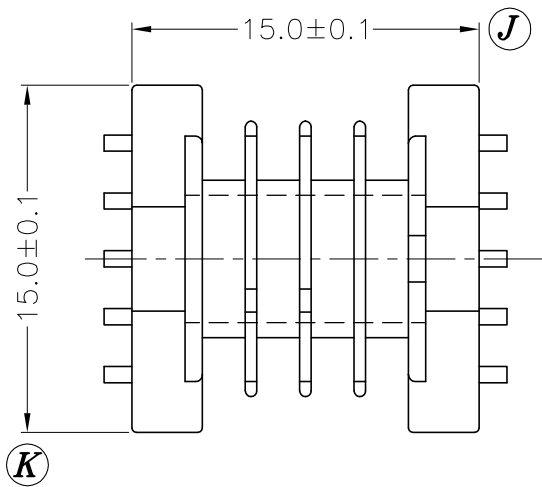
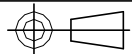


FERYSTER Inductive Components

ul. Traugutta 4, 68-120 Iłowa Poland

http://www.feryster.com.pl e-mail: info@feryster.com.pl



DOSTAWCA:	TOLERANCES		ANGLE: $\pm 1^\circ$	TITLE: EFD15-K-10P-4S		
	$0 < L \leq 4 \pm 0.1$	pin pitch ± 0.2	UNIT: MM	BOBBIN MATERIAL: LCP E4008	UL REC. UL 94V-0	
FERYSTER Inductive Components Tel: +48 68 360 00 76 fax: +48 68 360 00 70	$4 < L \leq 16 \pm 0.2$		ORIGIN: DG	PIN MATERIAL: PHOSPHOR BRONZE	PIN TENSION LOAD: 1.5KG MIN	
	$16 < L \leq 63 \pm 0.3$			DATE: APR.01 '2003	DRAWING NO. P-1507	REV. 1