



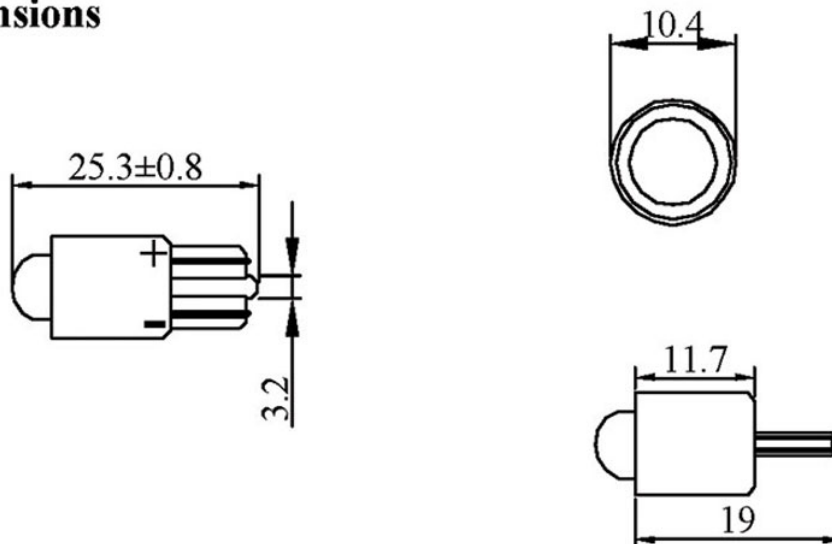
Absolute Maximum Ratings at Ta=25 °C :

Parameter	Symbol	Rating	Unit
Power Dissipation	Pd	120	mW
Reverse Voltage	Vr	5	V
D.C. Forward Current	If	30	mA
Reverse(Leakage)Current	Ir	100	μ A
Peak Current (1/10 Duty Cycle , 0.1 ms Pulse Width)	If(Peak)	100	mA
Operating Temperature Range	Topr	-25 to +85	°C
Storage Temperature Range	Tstg	-40 to +100	°C
Lead Soldering Temp.(1.6mm from body) for 5 seconds		260	°C

Electrical and Optical Characteristics :

Parameter	Symbol	Condition	Min.	Typ.	Max.	Unit
Luminous Intensity	Iv	If=20mA	909	1800		mcd
Forward Voltage	Vf	If=20mA		2.2	2.6	V
Reverse(Leakage)Current	Ir	Vr=5V			100	μ A
Viewing Angle	2 θ 1/2	If=20mA		34		deg

Package Dimensions



- 1.All dimensions are in millimeters.
- 2.Tolerance is ±0.5mm unless otherwise noted.

Circuits

12V DC

