

PCA-2

1.00mm (.039")
SIDE ENTRY SMT

$$A = .039 [1.00] \times \text{No. of Spaces}$$

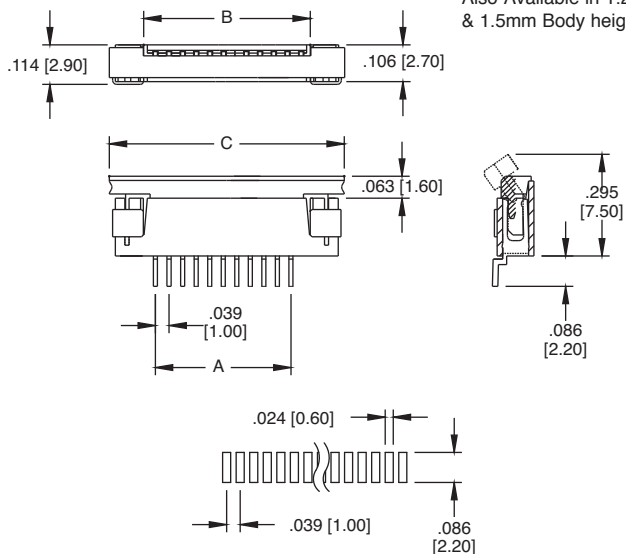
$$B = A + .090 [2.30]$$

$$C = A + .280 [7.10]$$



PCA-2-10-HU-3

Also Available in 1.2mm
& 1.5mm Body heights



Recommended PCB Layout

PCA-2

1.00mm (.039")
TOP ENTRY SMT

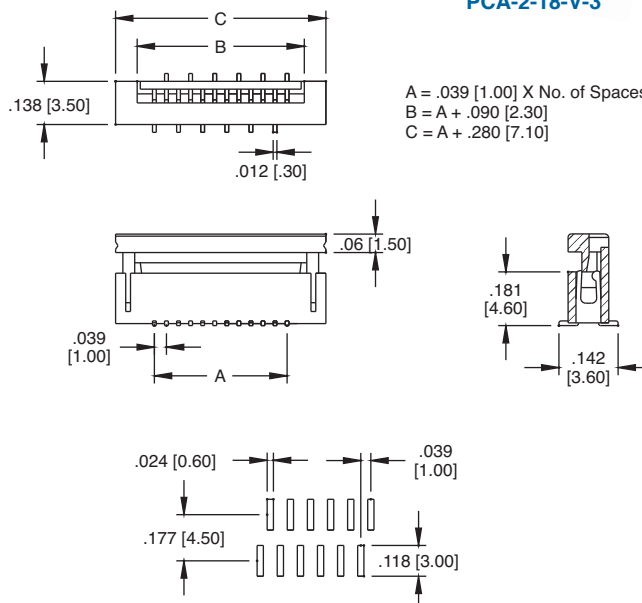


PCA-2-18-V-3

$$A = .039 [1.00] \times \text{No. of Spaces}$$

$$B = A + .090 [2.30]$$

$$C = A + .280 [7.10]$$



Recommended PCB Layout

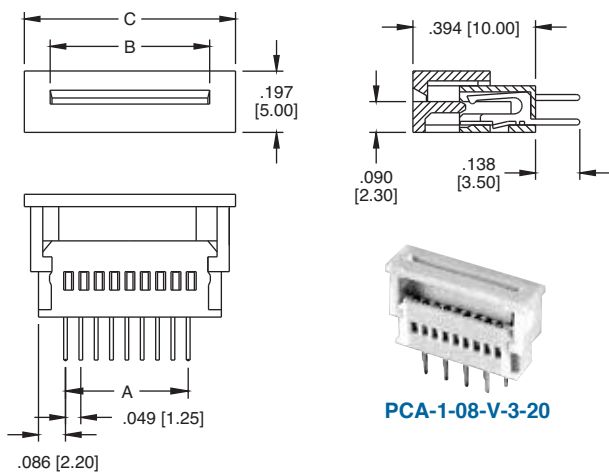
PCA-1

1.25mm (.049")
TOP ENTRY THRU HOLE

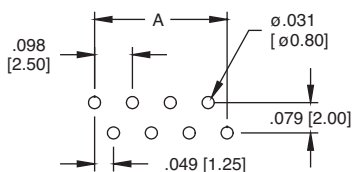
$$A = .049 [1.25] \times \text{No. of Spaces}$$

$$B = A + .106 [2.70]$$

$$C = A + .303 [7.70]$$



PCA-1-08-V-3-20



Recommended PCB Layout

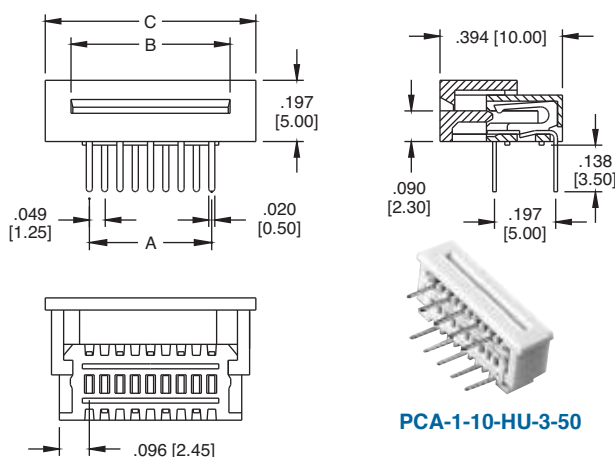
PCA-1

1.25mm (.049")
TOP ENTRY THRU HOLE

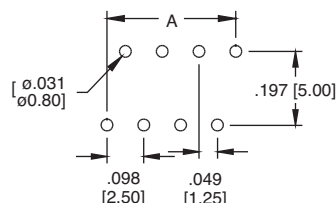
$$A = .049 [1.25] \times \text{No. of Spaces}$$

$$B = A + .106 [2.70]$$

$$C = A + .303 [7.70]$$



PCA-1-10-HU-3-50



Recommended PCB Layout