



**Features**

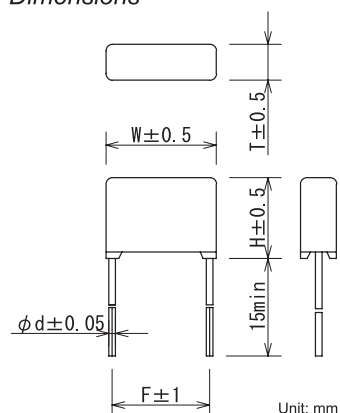
- Best performance series in most popular configurations.
- Dielectric withstand voltage twice safety agency requirement.
- High dv/dt, surge resistance and I/R ratings.
- IEC60384-14II class X1.

**Applications**

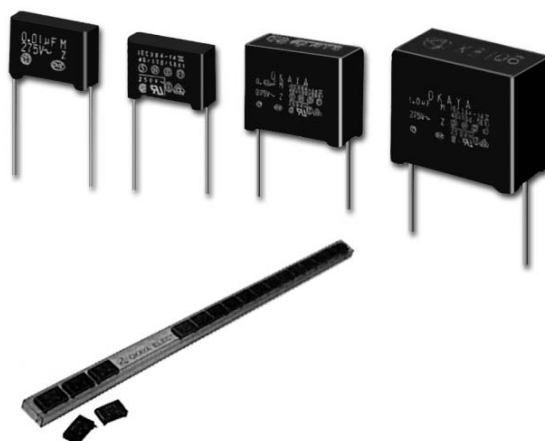
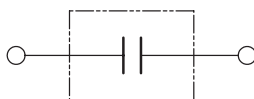
- Designed mainly for suppressing noise occurring in applications, such as DC motors for power tools and power supplies of electrical products.

Safety Agency : Standard		File No.	
UL	: UL-1414	102~105	E47474
CSA	: C22.2 No.0,1	102~105	LR37404,LR104926
VDE	: IEC60384-14II, EN132400	102~682	89708
		102~105	89793,94712
SEMKO	: IEC60384-14II, EN132400	102~682	9433161-01
		102~105	9538058-01
NEMKO	: IEC60384-14II, EN132400	102~682	P95100574
		102~105	P95100185,P95103746
DEMKO	: IEC60384-14II, EN132400	102~682	303419
		102~105	303214,304714
FIMKO	: IEC60384-14II, EN132400	102~682	180681-01
		102~105	179796-01,186158-01
SEV	: IEC60384-14II, EN132400	102~682	94,1 00826,03
		102~105	94,1 00826,04, 95,7 71212,01
OVE	: IEC60384-14II, EN132400	102~105	5429-211-03
IMQ	: IEC60384-14II, EN132400	102~682	4048
		102~105	4047

*Dimensions*



*Circuit*



**Electrical Specifications**

Rated Voltage **275VAC** (UL, CSA: 250V)

Safety Agency	Class	Model Number	Capacitance $\mu\text{F} \pm 20\%$	Dimensions					Dissipation Factor	Test Voltage		Insulation Resistance	
				W	H	T	F	d		Line to Line	Line to Ground	Line to Line	Line to Ground
	X 1 • Y 2	XE102-Z	0.001	17.0	12.5	5.5	15.0	0.8	0.01max (at 1kHz)	Line to Line 2000Vrms 50/60Hz 60sec	Line to Ground 2000Vrms 50/60Hz 60sec	Line to Line 15000M $\Omega$ min (at 500Vdc)	Line to Ground 100000M $\Omega$ min (at 500Vdc)
		XE152-Z	0.0015										
		XE222-Z	0.0022										
		XE332-Z	0.0033										
		XE472-Z	0.0047										
		XE682-Z	0.0068										
	X 1	XE103-Z	0.01	12.0	5.0	15.0	0.6						
		XE153-Z	0.015										
		XE223-Z	0.022										
		XE333-Z	0.033	12.5	5.5	0.8							
		XE473-Z	0.047	13.5	6.5								
		XE683-Z	0.068	15.0	8.0								
XE104-Z	0.1	25.0	16.0	6.5	22.5								
XE154-Z	0.15	25.0	17.5	8.0									
XE224-Z	0.22	25.0	19.5	10.0									
XE334-Z	0.33	30.0	22.0	11.0	27.5								
XE474-Z	0.47	30.0	24.5	13.5									
XE684-Z	0.68	30.5	28.0	16.5		1.0							
XE105-Z	1.0	36.0	30.5	20.0	32.5	1.0			Line to Line 5000 $\Omega$ ·F min (at 500Vdc)				

Operating Temperature: -40~+100°C