

**LC895198****CD-ROM Decoder for 32× ATAPI (IDE) Drives****Overview**

The LC895198 is a CD-ROM decoder that supports ATAPI (IDE) and includes 1 MB of on-chip DRAM.

**Functions**

- CD-ROM ECC function
- Sub-code read function
- Built-in ATAPI (IDE) I/F (register and other blocks)
- CAV audio function
- Built-in DVD-ROM I/F (8-bit width)
- Built-in 1-Mbit DRAM

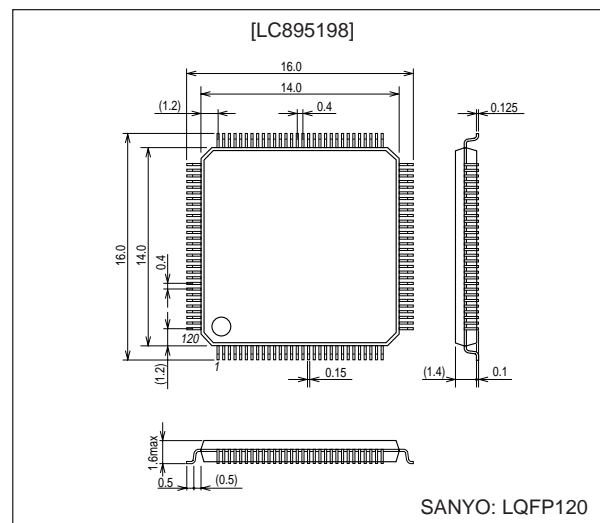
**Features**

- 32× speed supported  
16.6MBytes/s (with IORDY)  
Operation frequency: 33.8688 MHz
- 32× speed supported  
16.6MBytes/s (without IORDY)  
Operation frequency: 36 MHz
- CD main channel, C2 flag, and subcode areas in buffer RAM can be set freely by user
- Built-in batch transfer function (function for sending CD main channel, C2 flag, subcode, etc., at one time)
- Built-in multi transfer function (function for sending several blocks at one time)

- Built-in CAV-AUDIO function
- Built-in intelligent functions (auto buffering, auto decoding, CD-R support, etc.)
- Built-in subcode P to W buffering function (NO-ECC) and CD-TEXT support

**Package Dimensions**

unit: mm

**3237-LQFP120****Specifications****Absolute Maximum Ratings at  $V_{SS} = 0$  V**

Parameter	Symbol	Conditions	Ratings	Unit
Maximum supply voltage	$V_{DD}$ max	$T_a = 25^\circ\text{C}$	-0.3 to +7.0	V
Input/output voltage	$V_I, V_O$	$T_a = 25^\circ\text{C}$	-0.3 to $V_{DD} + 0.3$	V
Allowable power dissipation	$P_d$ max	$T_a \leq 70^\circ\text{C}$	400	mW
Operating temperature	$T_{opr}$		0 to +70	$^\circ\text{C}$
Storage temperature	$T_{stg}$		-55 to +125	$^\circ\text{C}$
Soldering temperature (pin part only)		10 s	235	$^\circ\text{C}$
Input/output power	$I_I, I_O$	Per 1 input/output reference cell	$\pm 20$	mA

■ Any and all SANYO products described or contained herein do not have specifications that can handle applications that require extremely high levels of reliability, such as life-support systems, aircraft's control systems, or other applications whose failure can be reasonably expected to result in serious physical and/or material damage. Consult with your SANYO representative nearest you before using any SANYO products described or contained herein in such applications.

■ SANYO assumes no responsibility for equipment failures that result from using products at values that exceed, even momentarily, rated values (such as maximum ratings, operating condition ranges, or other parameters) listed in products specifications of any and all SANYO products described or contained herein.

**SANYO Electric Co., Ltd. Semiconductor Company**

TOKYO OFFICE Tokyo Bldg., 1-10, 1 Chome, Ueno, Taito-ku, TOKYO, 110-8534 JAPAN

N3099TH (OT) No. 6237-1/10

**Allowable Operating Ranges at Ta = 0 to +70°C, VSS = 0 V**

**IO cell 5.0 V supply voltage**

Parameter	Symbol	Conditions	Ratings			Unit
			min	typ	max	
Supply voltage	V <sub>DD</sub>		4.5	5.0	5.5	V
Input voltage range	V <sub>IN</sub>		0		V <sub>DD</sub>	V

**Internal cell 3.3 V supply voltage**

Parameter	Symbol	Conditions	Ratings			Unit
			min	typ	max	
Supply voltage	V <sub>DD</sub>		3.0	3.3	3.6	V
Input voltage range	V <sub>IN</sub>		0		V <sub>DD</sub>	V

**Electrical Characteristics at Ta = 0 to +70°C, VSS = 0 V, VDD = 4.5 to 5.5 V**

Parameter	Symbol	Conditions	Applicable pins	Ratings			Unit
				min	typ	max	
Input high-level voltage	V <sub>IH</sub>	TTL levels	(1)	2.2	—	—	V
Input low-level voltage	V <sub>IL</sub>			—	—	0.8	V
Input high-level voltage	V <sub>IH</sub>	TTL levels with pull-up resistor	(9)	2.2	—	—	V
Input low-level voltage	V <sub>IL</sub>			—	—	0.8	V
Input high-level voltage	V <sub>IH</sub>	TTL levels Schmitt with pull-down resistor	DRESP HDB0 to HDB7	2.2	—	—	V
Input low-level voltage	V <sub>IL</sub>			—	—	0.8	V
Input high-level voltage	V <sub>IH</sub>	TTL levels Schmitt	(2), (3), (10)	2.4	—	—	V
Input low-level voltage	V <sub>IL</sub>			—	—	0.8	V
Output high-level voltage	V <sub>OH</sub>	I <sub>OH</sub> = -2 mA	(9)	V <sub>DD</sub> - 2.1	—	—	V
Output low-level voltage	V <sub>OL</sub>	I <sub>OL</sub> = 2 mA		—	—	0.4	V
Output high-level voltage	V <sub>OH</sub>	I <sub>OH</sub> = -8 mA	(4)	V <sub>DD</sub> - 2.1	—	—	V
Output low-level voltage	V <sub>OL</sub>	I <sub>OL</sub> = 8 mA		—	—	0.4	V
Output high-level voltage	V <sub>OH</sub>	I <sub>OH</sub> = -4 mA	(7), (10)	V <sub>DD</sub> - 2.1	—	—	V
Output low-level voltage	V <sub>OL</sub>	I <sub>OL</sub> = 24 mA		—	—	0.4	V
Output low-level voltage	V <sub>OL</sub>	I <sub>OL</sub> = 24 mA	(8)	—	—	0.4	V
Output low-level voltage	V <sub>OL</sub>	I <sub>OL</sub> = 8 mA	(5), (6)	—	—	0.4	V
Input leak current	I <sub>IL</sub>	V <sub>I</sub> = V <sub>SS</sub> , V <sub>DD</sub>	(1), (2), (3), (10)	-10		+10	μA
Output leak current	I <sub>OZ</sub>	During high-impedance output	(5), (7), (8), (10)	-10		+10	μA
Pull-up resistance	R <sub>UP</sub>		(6), (9)	40	80	160	kΩ
Pull-down resistance	R <sub>DN</sub>	DRESP, DREQ, HDB0 to HDB7		40	80	160	kΩ

The applicable pin sets are as follows.

INPUT

- (1) ATPINSEL, CSCCTRL, SUA0 to SUA6, BCK, C2PO, LRCK, DSDATA, SBS0, SCOR, WFCK, TEST0 to TEST1, AUDIOCK
- (2) ZRESET, ZCS, ZRD, ZWR, CSEL
- (3) DA0 to DA2, ZCS1FX, ZCS3FX, ZDIOR, ZDIOW, ZDMACK, ZHRST

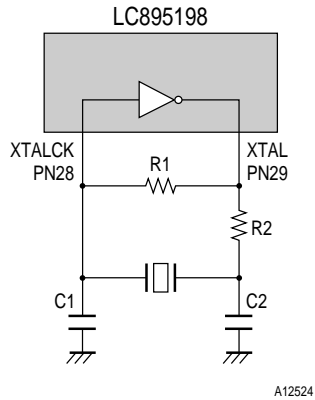
OUTPUT

- (4) EXCK, DREQ, MCK, MCK3
- (5) ZRSTCPU
- (6) ZINT, ZINT1, ZSWAIT
- (7) DMARQ, HINTRQ
- (8) IORDY, ZIOCS16

INOUT

- (9) D0 to D7
- (10) DD0 to DD15, ZDASP, ZPDIAG

Note: Pins other than XTAL and XTALCK are not included in DC characteristics.

**Recommended Oscillator Circuit Example**

$R1 = 1\text{ M}\Omega$

$R2 = 15\ \Omega$

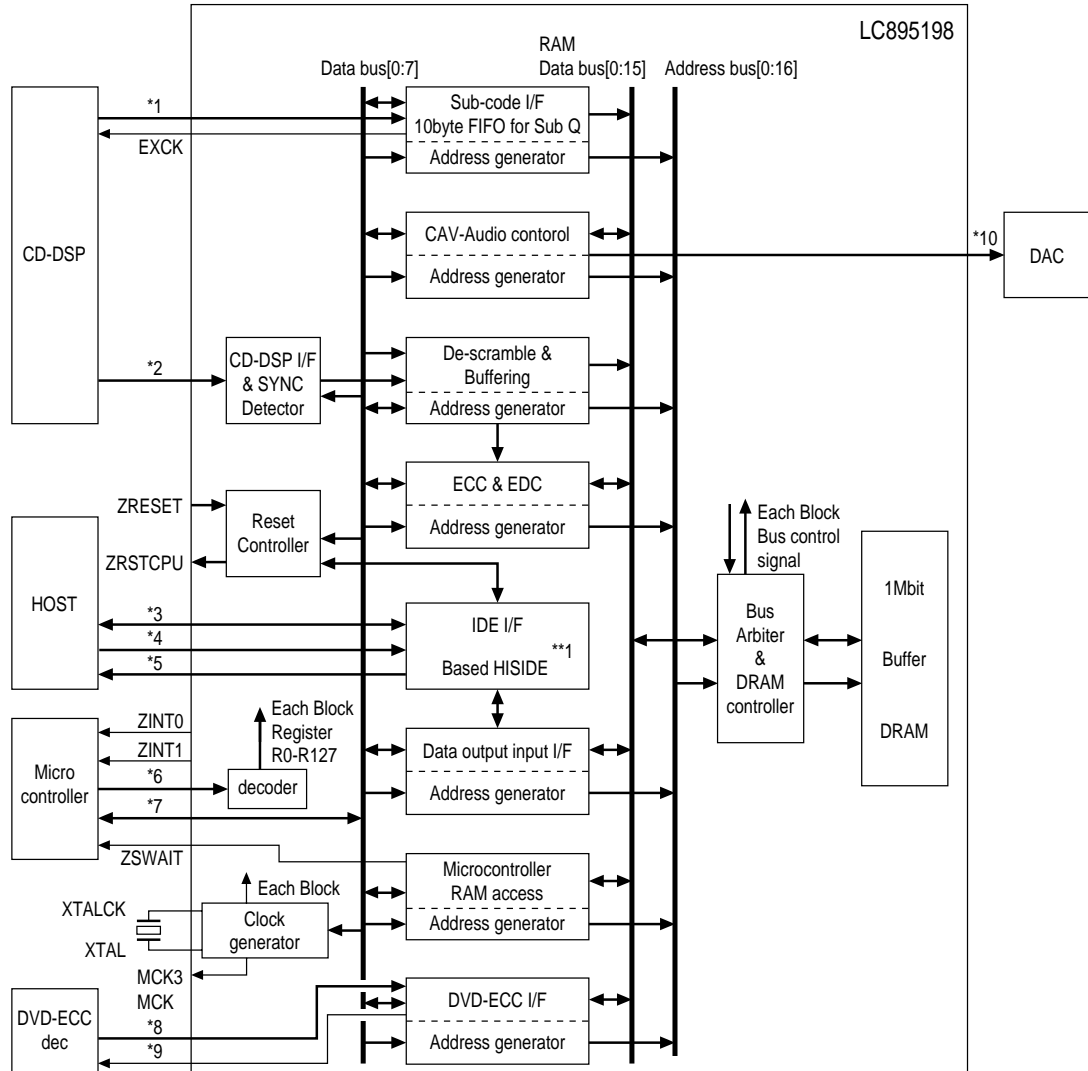
$C1 = 0$

$C2 = 47\text{ pF}$

When the ceramic clock oscillator frequency is 33.8688 MHz:  
(The 33.8688 MHz in this recommended example is the third harmonic.)

The exact values of the components are influenced by the printed circuit board used. Consult with the manufacturer of the oscillator element used to determine these values.

Block Diagram



A12525

- \*1 WFCK, SBSO, SCOR
- \*2 BCK, SDATA, LRCK, C2PO
- \*3 DD0 to DD15, ZDASP, ZPDIAG
- \*4 ZCS1FX, ZCS3FX, DA0 to DA2, ZDIOR, ZDIOW, ZDMACK, CSEL
- \*5 DMARQ, HINTRQ, ZIOCS16, IORDY, ZHRST
- \*6 ZRD, ZWR, SUA0 to SUA6, ZCS, CSCTRL
- \*7 D0 to D7
- \*8 HDB0 to HDB7, DRESP
- \*9 DREQ
- \*10 DBCK, DLCK, DSDATA
- \*\*1 HISIDE(WD25C32) is made by WESTERN DIGITAL

## LC895198

### Pin Functions

#### LC895198 Pin Functions 1

(When ATPINSEL (pin 113) is 0)

Type					
I	INPUT	B	BIDIRECTION	NC	NOT CONNECT
O	OUTPUT	P	POWER		

Pin No.	Pin	Type	Function
1	V <sub>DD0</sub>	P	5.0 V
2	DREQ	O	DVD ECC data request output
3	DRESP	I	DVD ECC data latch signal input
4	HDB7 (IOP0)	B	DVD ECC data I/O These pins can be switched to function as general-purpose I/O ports by register settings.
5	HDB6 (IOP1)	B	
6	HDB5 (IOP2)	B	
7	HDB4 (IOP3)	B	
8	HDB3 (IOP4)	B	
9	HDB2 (IOP5)	B	
10	HDB1 (IOP6)	B	
11	HDB0 (IOP7)	B	
12	MCK3	O	XTALCLK 1/1, 1/2, and stop output
13	V <sub>SS0</sub>	P	
14	V <sub>DD1</sub>	P	3.3 V
15	V <sub>DD0</sub>	P	5.0 V
16	DSDATA	O	D/A converter output
17	DLRCK	O	
18	DBCK	O	
19	C2PO	I	CD DSP interface
20	SDATA	I	
21	BCK	I	
22	LRCK	I	
23	EXCK	O	Subcode I/O
24	WFCK	I	
25	SBSO	I	
26	SCOR	I	
27	MCK	O	XTALCLK 1/1, 1/2, and stop output
28	XTALCK	I	Crystal oscillator circuit input
29	XTAL	O	Crystal oscillator circuit output
30	V <sub>SS0</sub>	P	
31	V <sub>DD1</sub>	P	3.3 V
32	V <sub>DD0</sub>	P	5.0 V
33	V <sub>SS0</sub>	P	
34	CSCTRL	I	Active low/active high selection for the microcontroller CS pin
35	ZRD	I	Microcontroller data read signal input
36	ZWR	I	Microcontroller data write signal input
37	ZCS	I	Register chip select input from the microcontroller
38	SUA0	I	Microcontroller register selection signals
39	SUA1	I	
40	SUA2	I	
41	SUA3	I	
42	SUA4	I	
43	SUA5	I	
44	SUA6	I	
45	V <sub>DD1</sub>	P	3.3 V
46	V <sub>DD0</sub>	P	5.0 V
47	V <sub>SS0</sub>	P	

Continued on next page.

## LC895198

Continued from preceding page.

Pin No.	Pin	Type	Function
48	D0	B	Microcontroller data signals. These pins have built-in pull-up resistors.
49	D1	B	
50	D2	B	
51	D3	B	
52	D4	B	
53	D5	B	
54	D6	B	
55	D7	B	
56	ZINT0	O	Interrupt request signal output to the microcontroller
57	ZINT1	O	
58	ZSWAIT	O	WAIT signal output to the microcontroller
59	ZRSTCPU	O	CPU reset signal output
60	V <sub>SS0</sub>	P	
61	V <sub>DD0</sub>	P	5.0 V
62	CSEL	I	ATAPI control signals
63	ZHRST	I	
64	ZDASP	B	
65	ZCS3FX	I	
66	ZCS1FX	I	
67	V <sub>SS1</sub>	P	
68	DA2	I	ATAPI control signals
69	DA0	I	
70	ZPDIAG	B	
71	DA1	I	
72	V <sub>SS1</sub>	P	
73	ZIOCS16	O	ATAPI control signals
74	HINTRQ	O	
75	V <sub>SS1</sub>	P	
76	V <sub>DD1</sub>	P	3.3 V
77	ZDMACK	I	ATAPI control signals
78	IORDY	O	
79	V <sub>SS1</sub>	P	
80	ZDIOR	I	ATAPI control signals
81	ZDIOW	I	
82	DMARQ	O	
83	DD15	B	ATAPI data bus
84	DD0	B	
85	V <sub>SS1</sub>	P	
86	DD14	B	ATAPI data bus
87	DD1	B	
88	DD13	B	
89	DD2	B	
90	V <sub>SS1</sub>	P	
91	V <sub>DD0</sub>	P	5.0 V
92	DD12	B	ATAPI data bus
93	DD3	B	
94	DD11	B	
95	DD4	B	
96	V <sub>SS1</sub>	P	
97	DD10	B	ATAPI data bus
98	DD5	B	
99	DD9	B	
100	V <sub>SS1</sub>	P	

Continued on next page.

## LC895198

Continued from preceding page.

Pin No.	Pin	Type	Function
101	DD6	B	ATAPI data bus
102	DD8	B	
103	DD7	B	
104	V <sub>DD1</sub>	P	3.3 V
105	V <sub>DD1</sub>	P	3.3 V
106	V <sub>DD0</sub>	P	5.0 V
107	V <sub>DD1</sub>	P	3.3 V
108	ZRESET	I	IC reset input
109	V <sub>DD1</sub>	P	3.3 V
110	V <sub>SS0</sub>	P	
111	TEST1	I	Test pin. This pin must be connected to V <sub>SS</sub> in normal operation.
112	V <sub>SS0</sub>	P	
113	ATPINSEL	I	ATAPI pin layout selection. This pin must be connected to V <sub>SS0</sub> .
114	V <sub>SS0</sub>	P	
115	TEST0	I	Test pin. This pin must be connected to V <sub>SS</sub> in normal operation.
116	V <sub>DD0</sub>	I	5.0 V
117	AUDIOCK	I	Clock input for the CAV audio block
118	V <sub>DD0</sub>	P	5.0 V
119	V <sub>DD0</sub>	P	5.0 V
120	V <sub>SS0</sub>	P	

- Unused ("NC") pins must be left open.
- Pins whose name begin with a Z operate with inverted (negative) logic.
- V<sub>SS0</sub> is the logic system ground and V<sub>SS1</sub> is the IDE interface driver ground.
- Applications must supply 5.0 V to V<sub>DD0</sub> and 3.3 V to V<sub>DD1</sub>.

## LC895198

### Pin Functions

#### LC895198 Pin Functions 2

(When ATPINSEL (pin 113) is 1)

Type					
I	INPUT	B	BIDIRECTION	NC	NOT CONNECT
O	OUTPUT	P	POWER		

Pin No.	Pin	Type	Function
1	V <sub>DD0</sub>	P	5.0 V
2	DREQ	O	DVD ECC data request output
3	DRESP	I	DVD ECC data latch signal input
4	HDB7 (IOP0)	B	DVD ECC data I/O These pins can be switched to function as general-purpose I/O ports by register settings.
5	HDB6 (IOP1)	B	
6	HDB5 (IOP2)	B	
7	HDB4 (IOP3)	B	
8	HDB3 (IOP4)	B	
9	HDB2 (IOP5)	B	
10	HDB1 (IOP6)	B	
11	HDB0 (IOP7)	B	
12	MCK3	O	XTALCLK 1/1, 2/5, 1/5, 1/512, and stop output
13	V <sub>SS0</sub>	P	
14	V <sub>DD1</sub>	P	3.3 V
15	V <sub>DD0</sub>	P	5.0 V
16	DSDATA	O	DAC converter output
17	DLRCK	O	
18	DBCK	O	
19	C2PO	I	CD DSP interface
20	SDATA	I	
21	BCK	I	
22	LRCK	I	
23	EXCK	O	Subcode I/O
24	WFCK	I	
25	SBSO	I	
26	SCOR	I	
27	MCK	O	XTALCLK 1/1, 1/2, and stop output
28	XTALCK	I	Crystal oscillator circuit input
29	XTAL	O	Crystal oscillator circuit output
30	V <sub>SS0</sub>	P	
31	V <sub>DD1</sub>	P	3.3 V
32	V <sub>DD0</sub>	P	5.0 V
33	V <sub>SS0</sub>	P	
34	CSCTRL	I	Active low/active high selection for the microcontroller CS pin
35	ZRD	I	Microcontroller data read signal input
36	ZWR	I	Microcontroller data write signal input
37	ZCS	I	Register chip select input from the microcontroller
38	SUA0	I	Microcontroller register selection signals
39	SUA1	I	
40	SUA2	I	
41	SUA3	I	
42	SUA4	I	
43	SUA5	I	
44	SUA6	I	
45	V <sub>DD1</sub>	P	3.3 V
46	V <sub>DD0</sub>	P	5.0 V
47	V <sub>SS0</sub>	P	

Continued on next page.



## LC895198

Continued from preceding page.

Pin No.	Pin	Type	Function
48	D0	B	Microcontroller data signals. These pins have built-in pull-up resistors.
49	D1	B	
50	D2	B	
51	D3	B	
52	D4	B	
53	D5	B	
54	D6	B	
55	D7	B	
56	ZINT0	O	Interrupt request signal output to the microcontroller
57	ZINT1	O	
58	ZSWAIT	O	WAIT signal output to the microcontroller
59	ZRSTCPU	O	CPU reset signal output
60	V <sub>SS0</sub>	P	
61	V <sub>DD0</sub>	P	5.0 V
62	CSEL	I	ATAPI control signals ATAPI data bus
63	DD7	B	
64	DD8	B	
65	DD6	B	
66	DD9	B	
67	V <sub>SS1</sub>	P	
68	DD5	B	ATAPI data bus
69	DD10	B	
70	DD4	B	
71	DD11	B	
72	V <sub>SS1</sub>	P	
73	DD3	B	ATAPI data bus
74	DD12	B	
75	V <sub>SS1</sub>	P	
76	V <sub>DD1</sub>	P	3.3 V
77	DD2	B	ATAPI data bus
78	DD13	B	
79	V <sub>SS1</sub>	P	
80	DD1	B	ATAPI data bus
81	DD14	B	
82	DD0	B	
83	DD15	B	
84	DMARQ	O	
85	V <sub>SS1</sub>	P	
86	ZDIOW	I	ATAPI control signal
87	ZDIOR	I	
88	IORDY	O	
89	ZDMACK	I	
90	V <sub>SS1</sub>	P	
91	V <sub>DD0</sub>	P	5.0 V
92	HINTRQ	O	ATAPI control signal
93	ZIOCS16	O	
94	DA1	I	
95	ZPDIAG	B	
96	V <sub>SS1</sub>	P	
97	DA0	I	ATAPI control signal
98	DA2	I	
99	ZCS1FX	I	
100	V <sub>SS1</sub>	P	

Continued on next page.

## LC895198

Continued from preceding page.

Pin No.	Pin	Type	Function
101	ZCS3FX	I	
102	ZDASP	B	ATAPI control signal
103	ZHRST	I	
104	V <sub>DD1</sub>	P	3.3 V
105	V <sub>DD1</sub>	P	3.3 V
106	V <sub>DD0</sub>	P	5.0 V
107	V <sub>DD1</sub>	P	3.3 V
108	ZRESET	I	IC reset input
109	V <sub>DD1</sub>	P	3.3 V
110	V <sub>SS0</sub>	P	
111	TEST1	I	Test pin. This pin must be connected to V <sub>SS</sub> in normal operation.
112	V <sub>SS0</sub>	P	
113	ATPINSEL	I	ATAPI pin layout selection. This pin must be connected to V <sub>DD0</sub> .
114	V <sub>SS0</sub>	P	
115	TEST0	I	Test pin. This pin must be connected to V <sub>SS</sub> in normal operation.
116	V <sub>DD0</sub>	I	5.0 V
117	AUDIOCK	I	Clock input for the CAV audio block
118	V <sub>DD0</sub>	P	5.0 V
119	V <sub>DD0</sub>	P	5.0 V
120	V <sub>SS0</sub>	P	

- Unused ("NC") pins must be left open.
- Pins whose name begin with a Z operate with inverted (negative) logic.
- V<sub>SS0</sub> is the logic system ground and V<sub>SS1</sub> is the IDE interface driver ground.
- Applications must supply 5.0 V to V<sub>DD0</sub> and 3.3 V to V<sub>DD1</sub>.

- Specifications of any and all SANYO products described or contained herein stipulate the performance, characteristics, and functions of the described products in the independent state, and are not guarantees of the performance, characteristics, and functions of the described products as mounted in the customer's products or equipment. To verify symptoms and states that cannot be evaluated in an independent device, the customer should always evaluate and test devices mounted in the customer's products or equipment.
- SANYO Electric Co., Ltd. strives to supply high-quality high-reliability products. However, any and all semiconductor products fail with some probability. It is possible that these probabilistic failures could give rise to accidents or events that could endanger human lives, that could give rise to smoke or fire, or that could cause damage to other property. When designing equipment, adopt safety measures so that these kinds of accidents or events cannot occur. Such measures include but are not limited to protective circuits and error prevention circuits for safe design, redundant design, and structural design.
- In the event that any or all SANYO products (including technical data, services) described or contained herein are controlled under any of applicable local export control laws and regulations, such products must not be exported without obtaining the export license from the authorities concerned in accordance with the above law.
- No part of this publication may be reproduced or transmitted in any form or by any means, electronic or mechanical, including photocopying and recording, or any information storage or retrieval system, or otherwise, without the prior written permission of SANYO Electric Co., Ltd.
- Any and all information described or contained herein are subject to change without notice due to product/technology improvement, etc. When designing equipment, refer to the "Delivery Specification" for the SANYO product that you intend to use.
- Information (including circuit diagrams and circuit parameters) herein is for example only; it is not guaranteed for volume production. SANYO believes information herein is accurate and reliable, but no guarantees are made or implied regarding its use or any infringements of intellectual property rights or other rights of third parties.

This catalog provides information as of November, 1999. Specifications and information herein are subject to change without notice.