

HD6852, HD68A52 Series

SSDA (Synchronous Serial Data Adapter)

The HD6852 Synchronous Serial Data Adapter provides a bi-directional serial interface for synchronous data information interchange. It contains interface logic for simultaneously transmitting and receiving standard synchronous communications characters in bus organized systems such as the HMCS6800 Microprocessor systems.

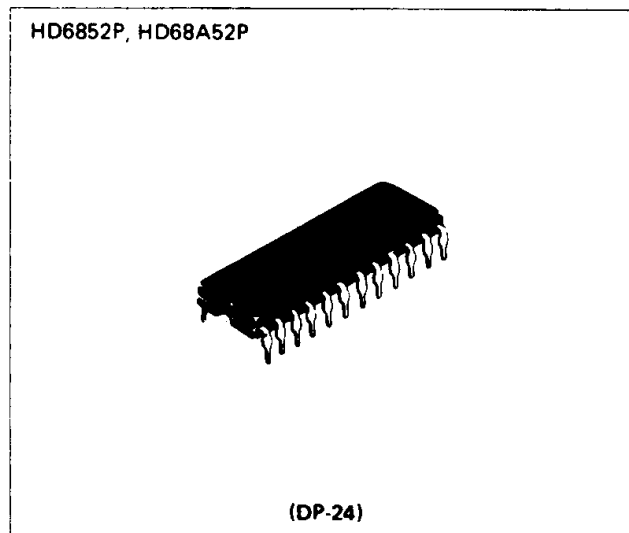
The bus interface of the HD6852 includes select, enable, read/write, interrupt, and bus interface logic to allow data transfer over an 8-bit bi-directional data bus. The parallel data of the bus system is serially transmitted and received by the synchronous data interface with synchronization, fill character insertion/deletion, and error checking. The functional configuration of the SSDA is programmed via the data bus during system initialization.

Programmable control registers provide control for variable word length, transmit control, receive control, synchronization control and interrupt control. Status, timing and control lines provide peripheral or modem control.

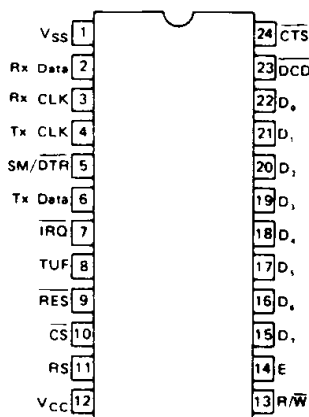
Typical applications include data communications terminals, floppy disk controllers, cassette or cartridge tape controllers and numerical control systems.

■ FEATURES

- Programmable Interrupts from Transmitter, Receiver, and Error Detection Logic
- Character Synchronization on One or Two Sync Codes
- External Synchronization Available for Parallel-Serial Operation
- Programmable Sync Code Register
- Up to 600 kbps Transmitter
- Peripheral/Modem Control Functions
- Three Bytes of FIFO Buffering on Both Transmit and Receive
- 6, 7, or 8 Bit Data Transmission
- Optional Even and Odd Parity
- Parity, Overrun, and Underflow Status
- Compatible with MC6852 and MC68A52

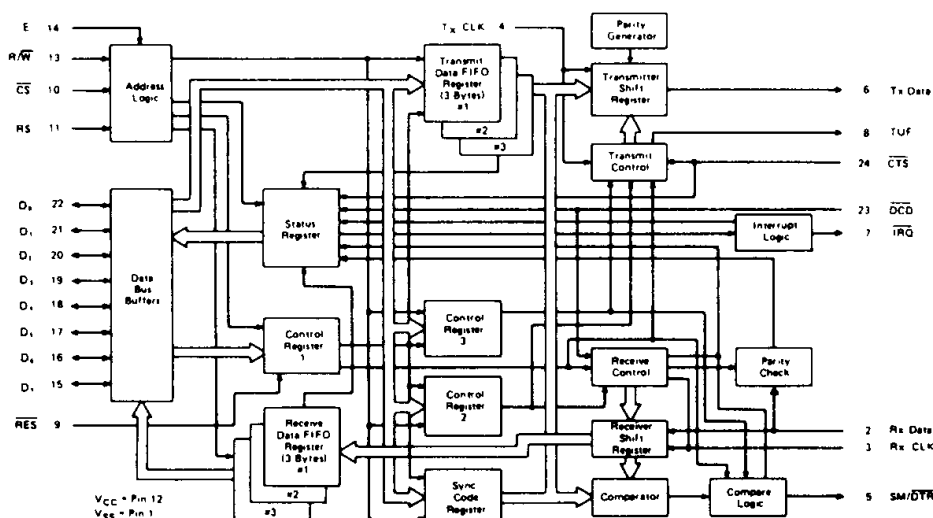


■ PIN ARRANGEMENT



(Top View)

■ BLOCK DIAGRAM



Only Function and summary are introduced regarding to this products. Please refer to the user's manual in details.

HITACHI

Hitachi America, Ltd. • Hitachi Plaza • 2000 Sierra Point Pkwy. • Brisbane, CA 94005-1819 • (415) 589-8300