

GaAs MMIC DBS Twin IF Switch

DESCRIPTION

The μ PG181GR is intended for use in Direct Broadcast Satellite (DBS) applications within the Low Noise Block (LNB) down-converter for systems where at least two LNB outputs are required.

It offers two intermediate frequency amplifier channels that can independently select 1 of 2 IF inputs. It is housed in a very small 16-pin plastic HTSSOP package available on tape-and-reel and easy to install and contributes to miniaturizing the systems.

FEATURES

- Two Independent IF Channels
- Integral Switching to Channel Input to Either Channel Output
- Insertion Loss Per Channel : 5.0 dB TYP. ($Z_o = 50 \Omega$)
- Frequency Range : 950 MHz to 2 150 MHz
- Channel to Channel Isolation : 33 dB TYP.
- Small 16-pin HTSSOP Package

ORDERING INFORMATION (PLAN)

Part Number	Package	Supplying Form
μ PG181GR-E1	16-pin Plastic HTSSOP	Carrier tape width 12 mm. Qty 3 kp/reel.

★

Remark To order evaluation samples, please contact your local NEC sales office. (Part number for sample order: μ PG181GR)

Caution The IC must be handled with care to prevent static discharge because its circuit composed of GaAs MES-FET.

The information in this document is subject to change without notice. Before using this document, please confirm that this is the latest version.
Not all devices/types available in every country. Please check with local NEC representative for availability and additional information.

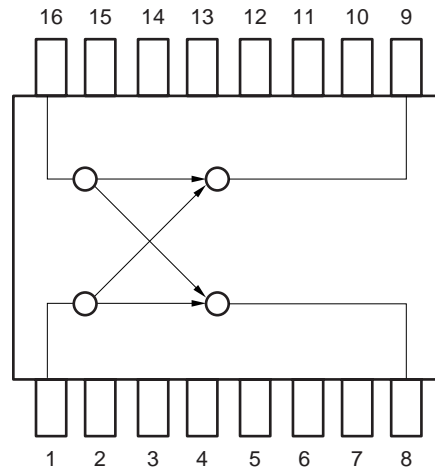
ABSOLUTE MAXIMUM RATINGS (T_A = +25 °C)

Parameter	Symbol	Ratings	Unit
Control Voltage 1, 2, 3, 4	V _{CONT1, 2, 3, 4}	-6 to +6 ^{Note 1}	V
Total Power Dissipation	P _{tot}	2 ^{Note 2}	W
Operating Ambient Temperature	T _A	-40 to +85	°C
Storage Temperature	T _{stg}	-65 to +150	°C

- Notes**
1. $|V_{CONT(H)} - V_{CONT(L)}| \leq 6.0 \text{ V}$
 2. Mounted on 50 × 50 × 1.6 mm double copper clad epoxy glass PWB, T_C = +85 °C

PIN CONNECTION AND INTERNAL BLOCK DIAGRAM (TOP VIEW)

Pin No.	Connection	Pin No.	Connection	Pin No.	Connection	Pin No.	Connection
1	IN2	5	V _{CONT4}	9	OUT1	13	V _{CONT1}
2	GND	6	GND	10	GND	14	GND
3	GND	7	GND	11	GND	15	GND
4	V _{CONT3}	8	OUT2	12	V _{CONT2}	16	IN1



RECOMMENDED OPERATING CONDITIONS (T_A = +25 °C)

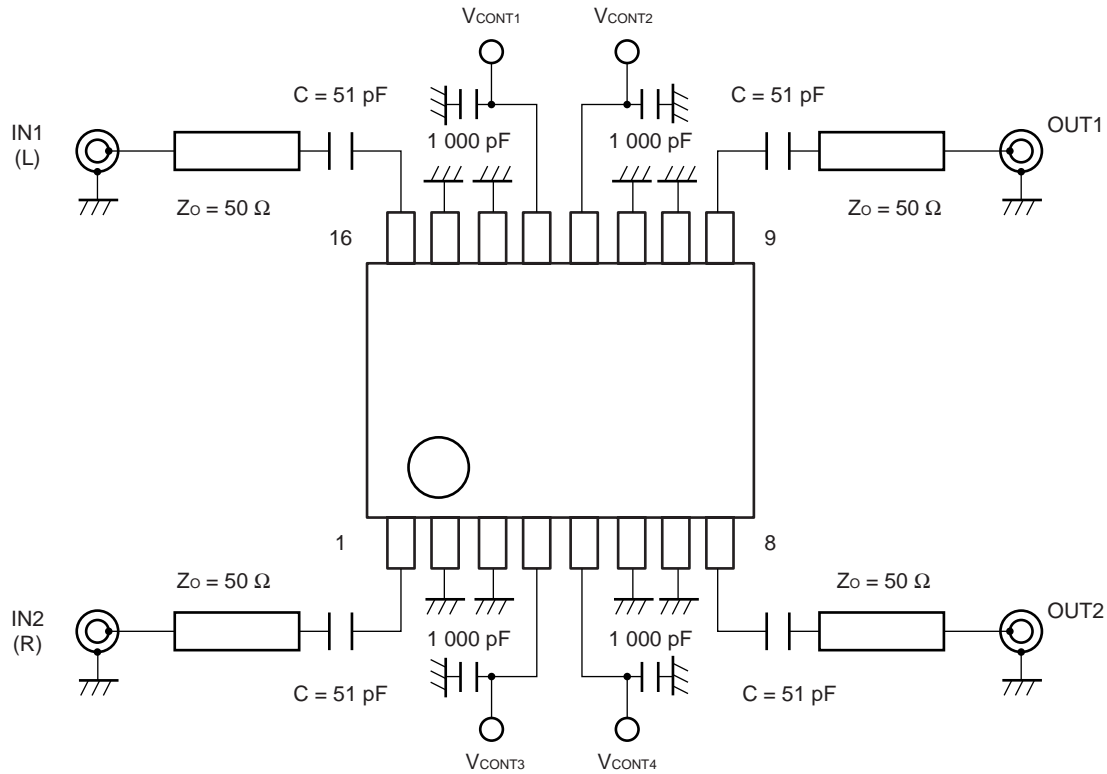
Parameter	Symbol	MIN.	TYP.	MAX.	Unit
Control Voltage (High)	V _{CONT(H)}	+4.5	+5	+5.5	V
Control Voltage (Low)	V _{CONT(L)}	-0.5	0	+0.5	V

ELECTRICAL CHARACTERISTICS (T_A = +25 °C, unless otherwise specified: V_{CONT1} to V_{CONT4} = 0/ +5 V, Z_o = 50 Ω, LL, LR, RL, RR Each Port)

Parameter	Symbol	Test Conditions	MIN.	TYP.	MAX.	Unit
Insertion Loss	L _{INS}	f = 0.95 GHz to 2.15 GHz	-	5.0	7.0	dB
Insertion Loss Flatness	ΔL _{INS}	L _{INS} (0.95 GHz) - L _{INS} (1.7 GHz)	-	0.5	1.2	dB
Insertion Loss Flatness	ΔL _{INS}	L _{INS} (0.95 GHz) - L _{INS} (2.15 GHz)	-	0.8	1.5	dB
Channel Isolation	ISL	f = 0.95 GHz to 1.7 GHz	30	33	-	dB
Channel Isolation	ISL	f = 1.7 GHz to 2.15 GHz	25	30	-	dB
Output Return Loss	RL _{out}	f = 0.95 GHz to 2.15 GHz	13	16	-	dB
Control Current	I _{CONT}	V _{CONT} = +5 V/0 V, RF OFF	-	-	200	μA

★ EVALUATION CIRCUIT

V_{CONT1} to V_{CONT4} = 0/ +5 V, Z_o = 50 Ω, DC Blocking Capacitor = 51 pF

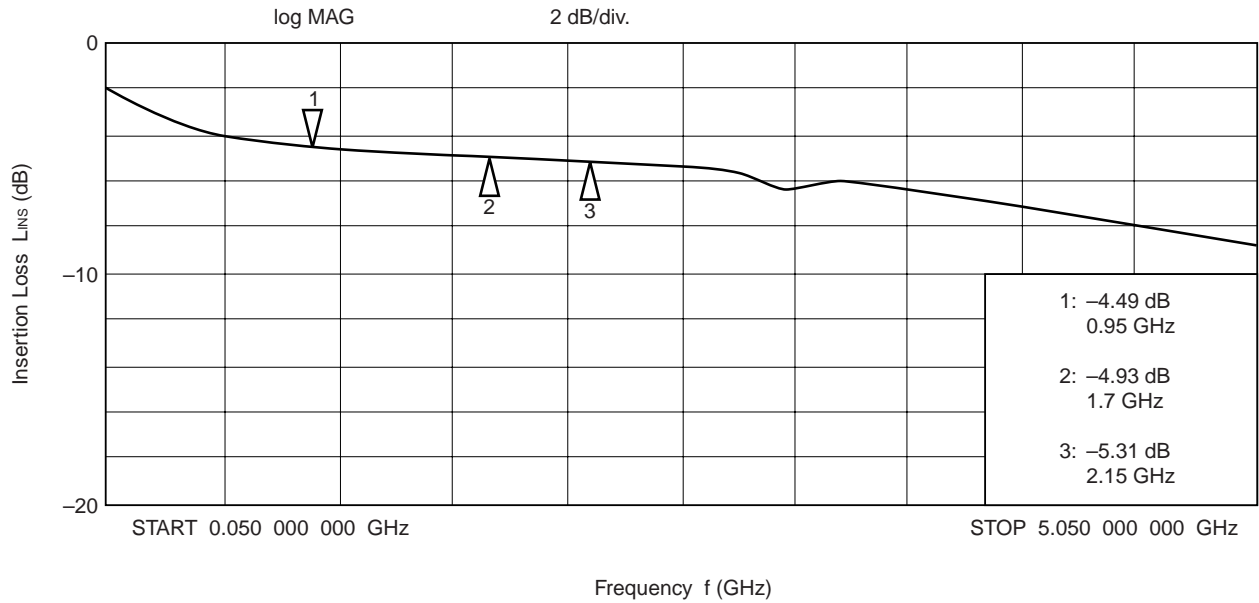


CHANNEL SELECT TRUTH TABLE

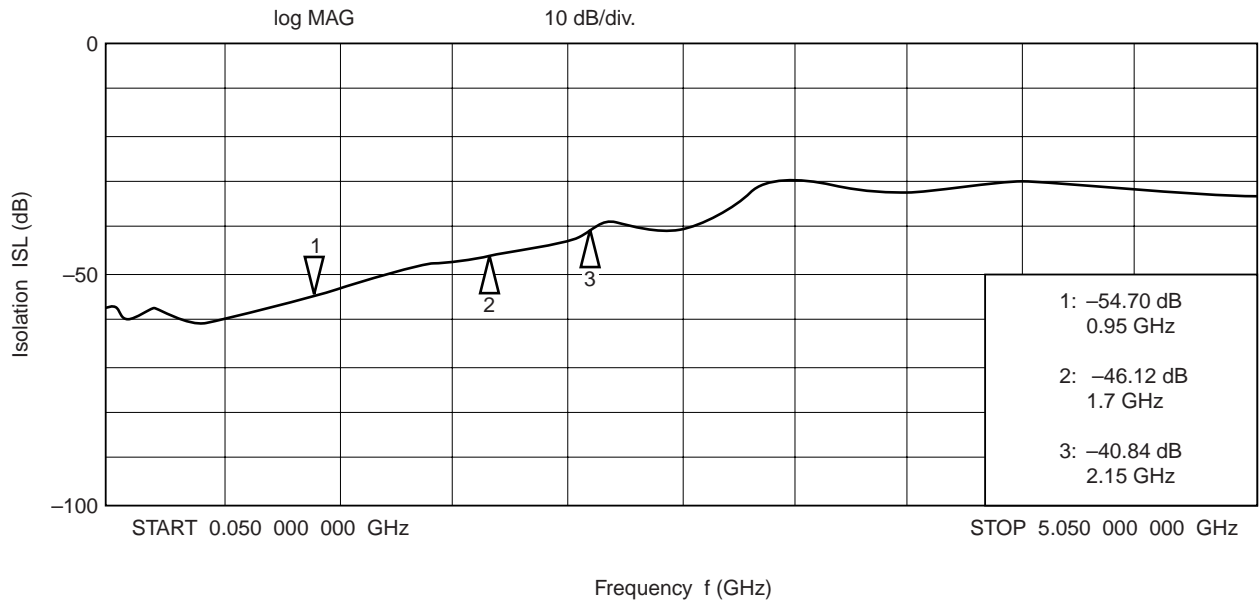
Output		On Channel	Control Pin			
OUT1	OUT2		V _{CONT1}	V _{CONT2}	V _{CONT3}	V _{CONT4}
L	L	IN1 – OUT1 IN1 – OUT2	Low	High	High	Low
L	R	IN1 – OUT1 IN2 – OUT2	Low	High	Low	High
R	L	IN2 – OUT1 IN1 – OUT2	High	Low	High	Low
R	R	IN2 – OUT1 IN2 – OUT2	High	Low	Low	High

TYPICAL CHARACTERISTICS (T_A = +25 °C)

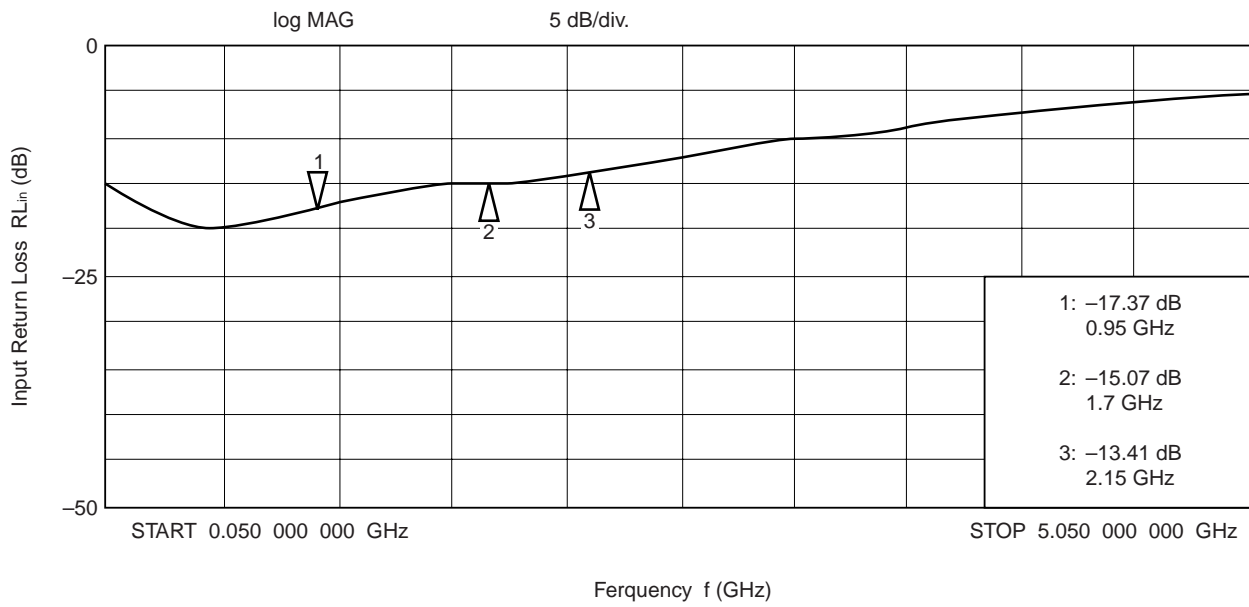
INSERTION LOSS vs. FREQUENCY



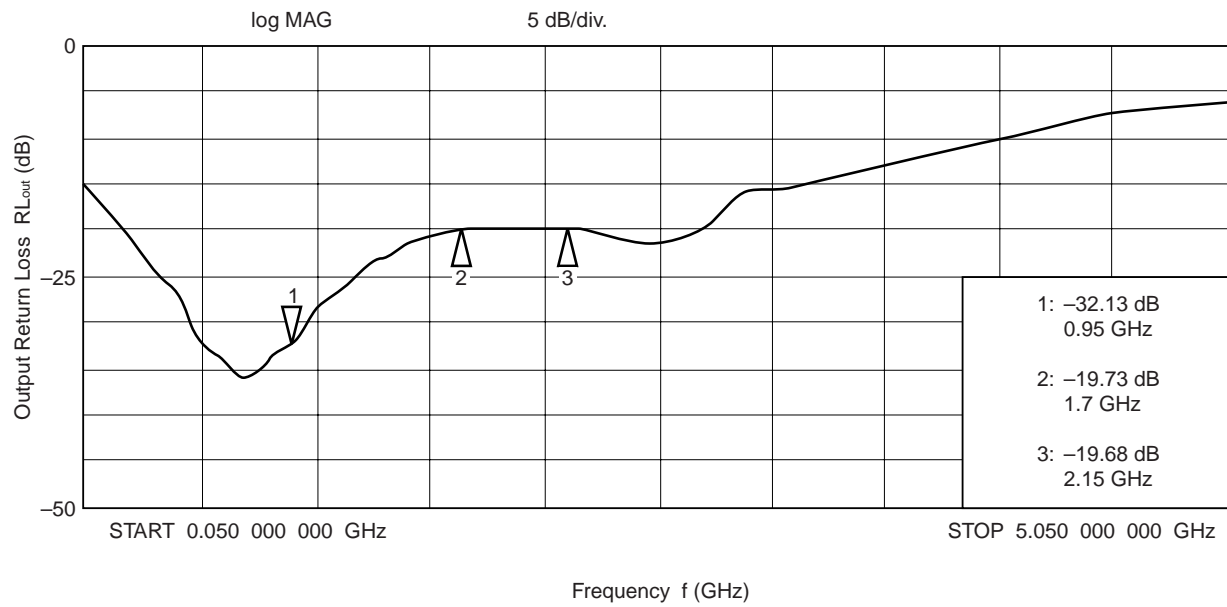
ISOLATION vs. FREQUENCY



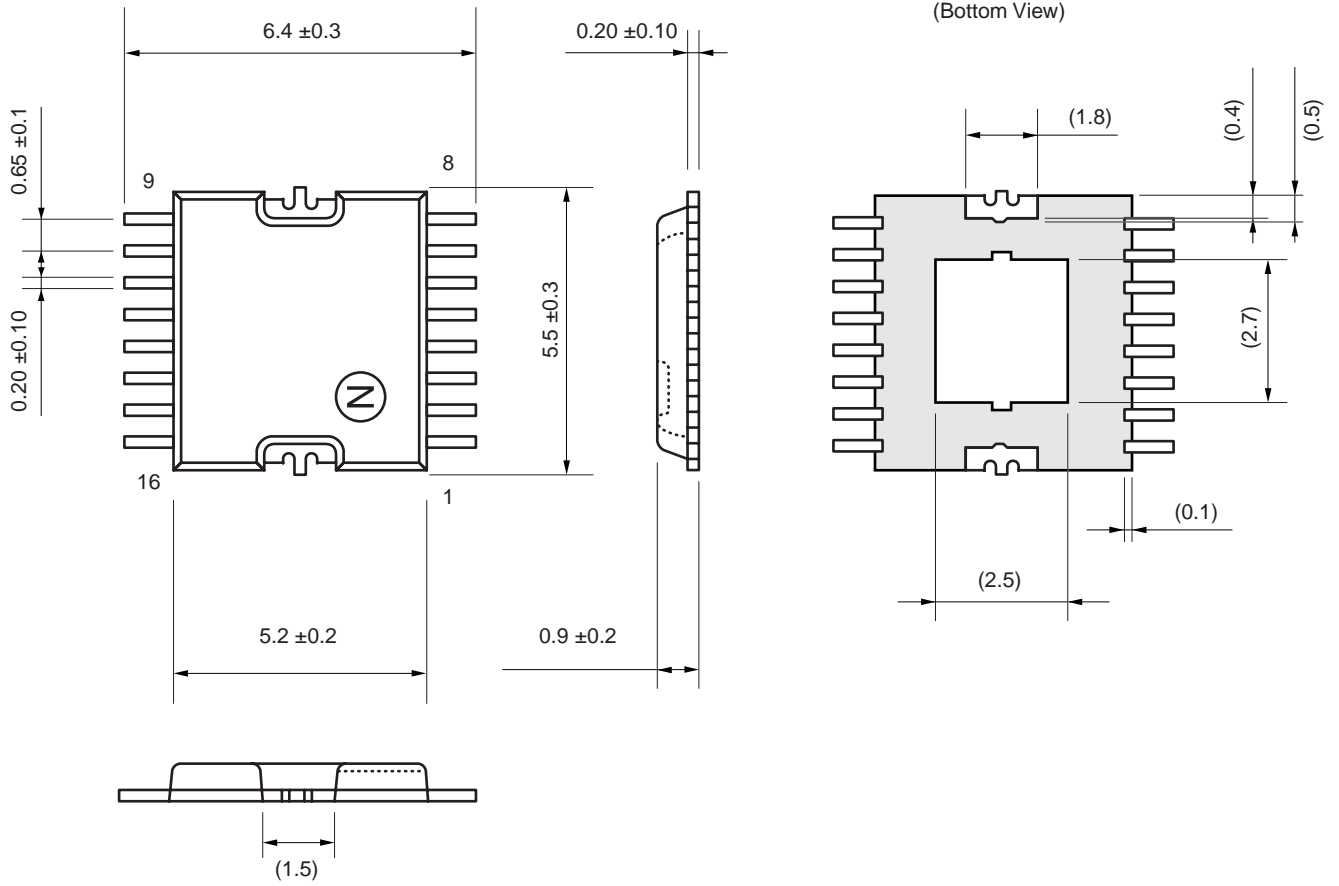
INPUT RETURN LOSS vs. FREQUENCY



OUTPUT RETURN LOSS vs. FREQUENCY



PACKAGE DIMENSIONS
16 PIN HTSSOP (Unit: mm)



RECOMMENDED SOLDERING CONDITIONS

This product should be soldered under the following recommended conditions. For soldering methods and conditions other than those recommended below, contact your NEC sales representative.

Soldering Method	Soldering Conditions	Recommended Condition Symbol
Infrared Reflow	Package peak temperature: 235 °C or below Time: 30 seconds or less (at 210 °C) Count: 3, Exposure limit: None ^{Note}	IR35-00-3
VPS	Package peak temperature: 215 °C or below Time: 40 seconds or less (at 200 °C) Count: 3, Exposure limit: None ^{Note}	VP15-00-3
Wave Soldering	Soldering bath temperature: 260 °C or below Time: 10 seconds or less Count: 1, Exposure limit: None ^{Note}	WS60-00-1
Partial Heating	Pin temperature: 300 °C Time: 3 seconds or less (per side of device) Exposure limit: None ^{Note}	—

Note After opening the dry pack, keep it in a place below 25 °C and 65 % RH for the allowable storage period.

Caution Do not use different soldering methods together (except for partial heating).

For details of recommended soldering conditions for surface mounting, refer to information document SEMICONDUCTOR DEVICE MOUNTING TECHNOLOGY MANUAL (C10535E).

[MEMO]

[MEMO]

[MEMO]

CAUTION

The Great Care must be taken in dealing with the devices in this guide.

The reason is that the material of the devices is GaAs (Gallium Arsenide), which is designated as harmful substance according to the law concerned.

Keep the law concerned and so on, especially in case of removal.

- **The information in this document is subject to change without notice. Before using this document, please confirm that this is the latest version.**
 - No part of this document may be copied or reproduced in any form or by any means without the prior written consent of NEC Corporation. NEC Corporation assumes no responsibility for any errors which may appear in this document.
 - NEC Corporation does not assume any liability for infringement of patents, copyrights or other intellectual property rights of third parties by or arising from use of a device described herein or any other liability arising from use of such device. No license, either express, implied or otherwise, is granted under any patents, copyrights or other intellectual property rights of NEC Corporation or others.
 - Descriptions of circuits, software, and other related information in this document are provided for illustrative purposes in semiconductor product operation and application examples. The incorporation of these circuits, software, and information in the design of the customer's equipment shall be done under the full responsibility of the customer. NEC Corporation assumes no responsibility for any losses incurred by the customer or third parties arising from the use of these circuits, software, and information.
 - While NEC Corporation has been making continuous effort to enhance the reliability of its semiconductor devices, the possibility of defects cannot be eliminated entirely. To minimize risks of damage or injury to persons or property arising from a defect in an NEC semiconductor device, customers must incorporate sufficient safety measures in its design, such as redundancy, fire-containment, and anti-failure features.
 - NEC devices are classified into the following three quality grades:
"Standard", "Special", and "Specific". The Specific quality grade applies only to devices developed based on a customer designated "quality assurance program" for a specific application. The recommended applications of a device depend on its quality grade, as indicated below. Customers must check the quality grade of each device before using it in a particular application.
 - Standard: Computers, office equipment, communications equipment, test and measurement equipment, audio and visual equipment, home electronic appliances, machine tools, personal electronic equipment and industrial robots
 - Special: Transportation equipment (automobiles, trains, ships, etc.), traffic control systems, anti-disaster systems, anti-crime systems, safety equipment and medical equipment (not specifically designed for life support)
 - Specific: Aircraft, aerospace equipment, submersible repeaters, nuclear reactor control systems, life support systems or medical equipment for life support, etc.
- The quality grade of NEC devices is "Standard" unless otherwise specified in NEC's Data Sheets or Data Books. If customers intend to use NEC devices for applications other than those specified for Standard quality grade, they should contact an NEC sales representative in advance.