

## COMPANDER IC FOR CORDLESS TELEPHONE

### FEATURES

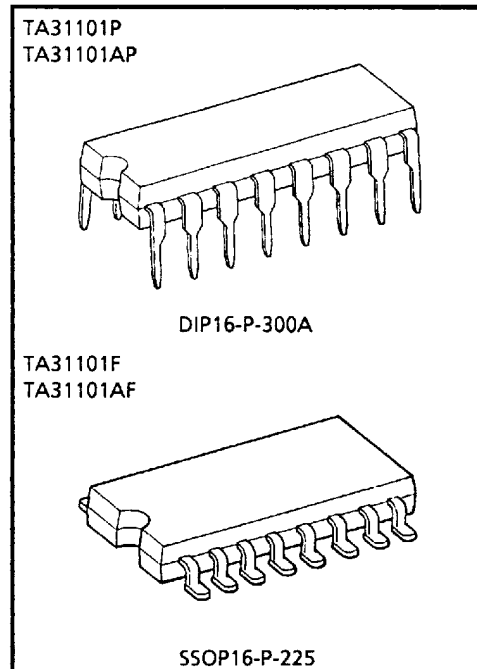
- Low operating supply voltage and small consumption current make this IC suitable for its application to the sets using the battery such as the codeless telephone set, etc.

$$V_{CC}(\text{MIN}) = 1.8\text{V} (T_a = 25^\circ\text{C})$$

$$I_{CCQ} = 2.7\text{mA} (\text{Typ.}) (V_{CC} = 3\text{V}, T_a = 25^\circ\text{C})$$

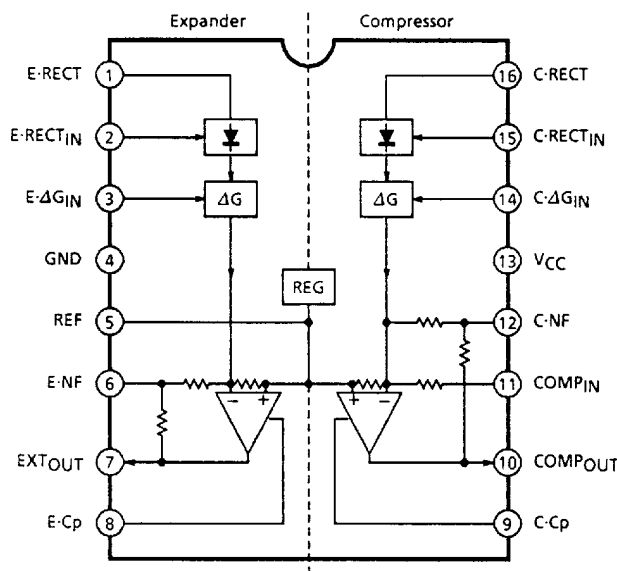
- For noise reduction, compressor and expander are incorporated into a package.
- Wide operating supply voltage range :  $V_{CC} = 1.8 \sim 9\text{V}$
- Recommendable operating supply voltage :  $V_{CC} = 3\text{V}$
- Difference between TA31101P, TA31101F and TA31101AP, TA31101AF

NAME OF PRODUCT	INPUT REFERENCE LEVEL (Typ.)
TA31101P, TA31101F	-18.5dBV
TA31101AP, TA31101AF	-20.0dBV



Weight DIP16-P-300A : 1.1g (Typ.)  
SSOP16-P-225 : 0.14g (Typ.)

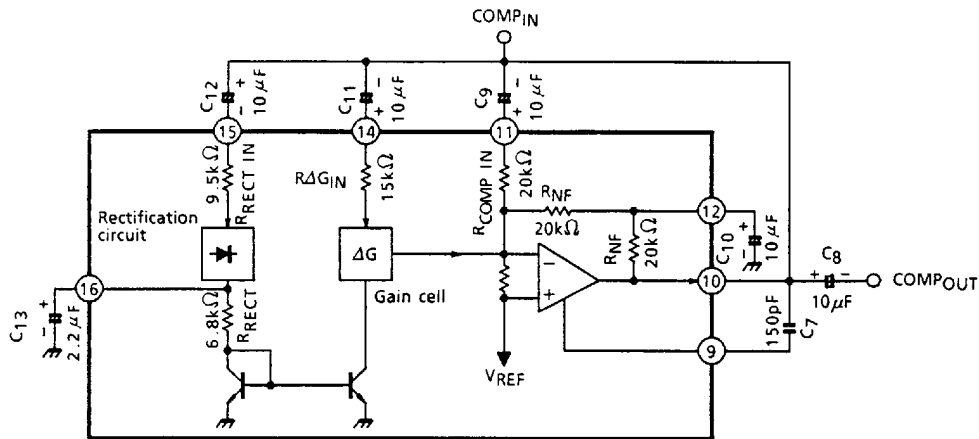
### BLOCK DIAGRAM



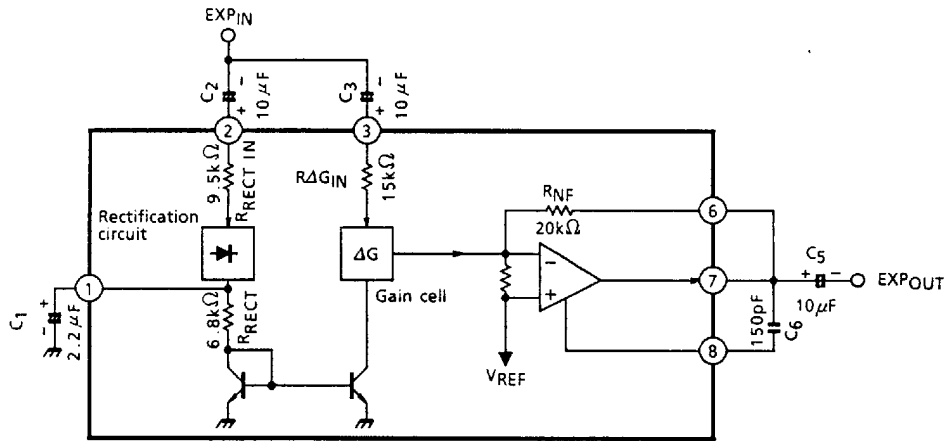
© The information contained herein is presented only as a guide for the applications of our products. No responsibility is assumed by TOSHIBA CORPORATION for any infringements of intellectual property or other rights of the third parties which may result from its use. No license is granted by implication or otherwise under any intellectual property or other rights of TOSHIBA CORPORATION or others.  
 © These TOSHIBA products are intended for use in general commercial applications (office equipment, communication equipment, measuring equipment, domestic appliances, etc.). please make sure that you consult with us before you use these TOSHIBA products in equipment which requires extraordinarily high quality and/or reliability, and in equipment which may involve life threatening or critical application, including but not limited to such uses as atomic energy control, airplane or spaceship instrumentation, traffic signals, medical instrumentation, combustion control, all types of safety devices, etc. TOSHIBA cannot accept and hereby disclaims liability for any damage which may occur in case the TOSHIBA products are used in such equipment or applications without prior consultation with TOSHIBA.

The compressor and the expander of this IC are individually composed of the rectification circuit, the gain cell and the operation amplification circuit as shown in the figure below.

Compressor



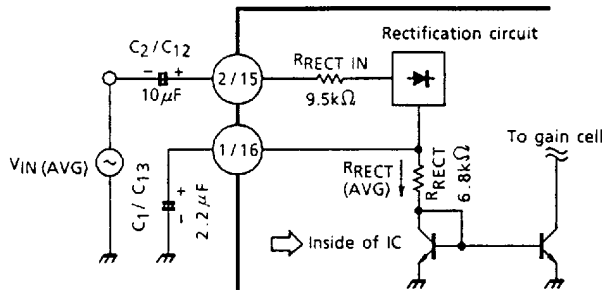
Expander



1. Rectification circuit

In this circuit, the feedback-type full-wave rectification circuit is applied for improving the precision of detection, and the response characteristics (attack time, recovery time) are determined by the time constant of the smoothing capacitor of the rectifying output current connected to the E-RECT terminal and the C-RECT terminal (pin 1, pin 16) and by the time constant of the internal resistance of IC.

- The internal resistance of E-RECT terminal and C-RECT terminal (pin 1, pin 16) becomes the series resistance of the R-RECT  $6.8\Omega$  and the emitter resistance  $r_e$  in the current miller circuit. The emitter resistance  $r_e$  of transistor varies according to the signal level as shown below.



$$3 \cdot \frac{V_{IN(AVG)}}{R_{RECT IN}} = I_{RECT(AVG)}$$

$$r_e = \frac{V_T}{I_{RECT(AVG)}} (\Omega)$$

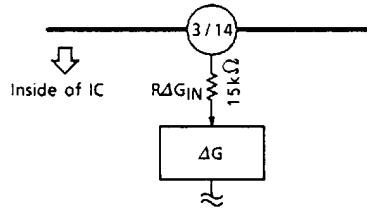
$V_{IN(AVG)}$  : Mean input signal voltage  
 $I_{RECT(AVG)}$  : Mean rectification output  
 $r_e$  : Emitter resistance  
 $V_T$  : Approx. 26mV  
 (At room temperature)

- The input resistance of the input E-RECT<sub>IN</sub> terminal and C-RECT<sub>IN</sub> terminal (pin 2, pin 15) of the rectification circuit is approximately  $9.5k\Omega$ .

## 2. Gain cell ( $\Delta G$ )

This circuit is a variable gain amplifier for controlling the gain with the rectification output current of the rectification circuit.

The input resistance of the input E- $\Delta G_{IN}$  terminal and C- $\Delta G_{IN}$  terminal of the gain cell (pin 3, pin 14) is approximately  $15k\Omega$ .



## 3. Operation amplification circuit

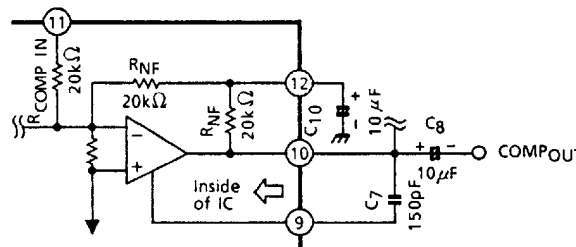
In the compressor, since the variable gain amplifier is involved in the feedback loop of the operation amplification circuit, the oscillation is liable to be generated, however, in this circuit, since the C-Cp terminal (pin 9) for phase compensation is provided, the countermeasure can be taken against the oscillation through the external capacitor.

In the compressor, for making the current gain maximum, the capacitor for decoupling the current signal is connected to the C-NF terminal (pin 12).

The cut-off frequency of the compressor is determined by the product of the capacitor  $C_{10}$  connected to the C-NF terminal multiplied by  $R_{NF}$   $20k\Omega$  of the internal resistance.

The cut-off frequency is obtained by the expression below.

$$f_C = \frac{1}{2\pi \cdot C_{10} \cdot R_{NF}}$$



**MAXIMUM RATINGS (Ta = 25°C)**

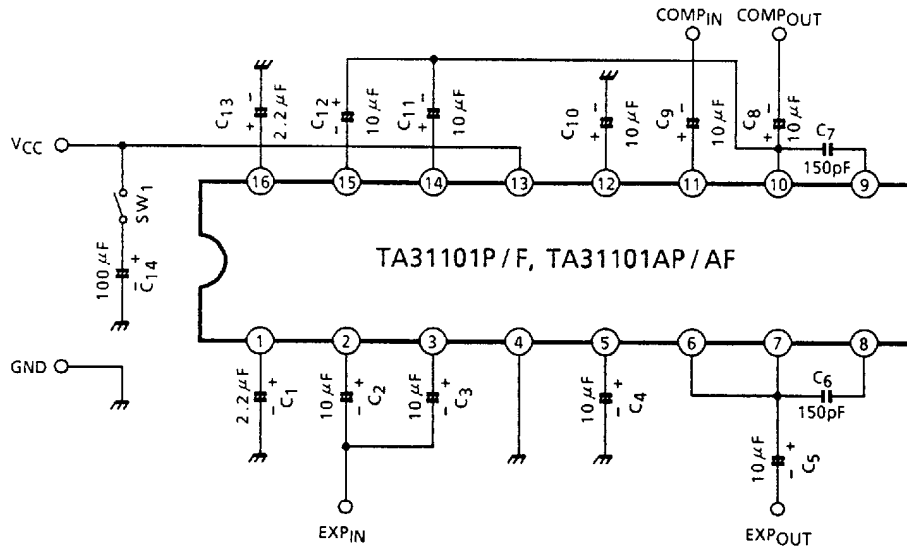
CHARACTERISTIC	SYMBOL	RATING	UNIT
Supply Voltage	V <sub>CC</sub>	10	V
Power Dissipation	P type	1000	mW
	F type	370	
Operating Temperature	T <sub>opr</sub>	-25~75	°C
Storage Temperature	T <sub>stg</sub>	-55~150	°C

**ELECTRICAL CHARACTERISTICS (Unless otherwise specified, V<sub>CC</sub> = 3V, f = 1kHz, Ta = 25°C, 0dB = -20dBV)**

CHARACTERISTIC	SYMBOL	TEST CIRCUIT	TEST CONDITION	MIN.	TYP.	MAX.	UNIT
Supply Voltage	V <sub>CC</sub>	—	—	1.8	3.0	9.0	V
Quiescent Current	I <sub>CCQ</sub>	1	V <sub>CC</sub> = 3.0V	—	2.7	5.0	mA
Input Reference Level	TA31101P TA31101F	V <sub>REF</sub>	V <sub>IN</sub> = V <sub>OUT</sub>	-20.0	-18.5	-17.0	dBV
	TA31101AP TA31101AF			-21.5	-20.0	-18.5	
Total Harmonic Distortion	COMP	THD <sub>C</sub>	V <sub>IN</sub> = 0dB	—	-55	-46	dB
	EXP	THD <sub>E</sub>		—	-55	-46	
Output Noise Voltage	COMP	V <sub>NOC</sub>	V <sub>IN</sub> = -∞, f = 15Hz~20kHz	—	0.5	—	mV <sub>rms</sub>
	EXP	V <sub>NOE</sub>		—	15	—	μV <sub>rms</sub>
Cross Talk	C→E	CT (C→E)	V <sub>IN</sub> = 0dBV	—	-95	—	dBV
	E→C	CT (E→C)	V <sub>IN</sub> = -12dBV	—	-55	—	
Ripple Rejection Ratio	COMP	RR <sub>C</sub>	V <sub>R</sub> = 100mV <sub>rms</sub> , f = 1kHz	—	-30	—	dB
	EXP	RR <sub>E</sub>		—	-60	—	
Maximum Output Voltage (EXP)	V <sub>OM</sub>	8	R <sub>L</sub> = 10kΩ	—	800	—	mV <sub>rms</sub>
Output Deviation (Note 1)	COMP	V <sub>O</sub> C1	V <sub>IN</sub> = 20dB	-0.4	0.1	0.6	dB
		V <sub>O</sub> C2	V <sub>IN</sub> = -20dB	-0.5	0	0.5	
		V <sub>O</sub> C3	V <sub>IN</sub> = -40dB	-0.6	-0.1	0.4	
	EXP	V <sub>O</sub> E1	V <sub>IN</sub> = 6.5dB	-1.1	-0.1	0.9	
		V <sub>O</sub> E2	V <sub>IN</sub> = -10dB	-0.9	0.1	1.1	
		V <sub>O</sub> E3	V <sub>IN</sub> = -25dB	-1.0	0	1.0	
Frequency Characteristic	COMP	FR <sub>C</sub>	V <sub>IN</sub> = 0dB, f = 200~3500Hz and f = 1kHz are references.	—	±0.1	—	dB
	EXP	FR <sub>E</sub>		—	±0.1	—	

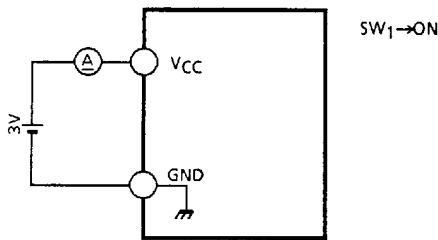
Note 1 : Output deviation = (V<sub>OUT</sub> - V<sub>REF</sub>) - V<sub>IN</sub> × αβ  
αβ : (COMP = 0.5, EXP = 2)

TEST CIRCUIT

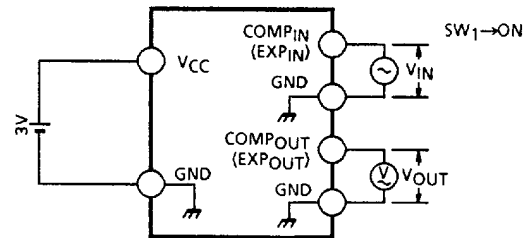


TEST CIRCUIT

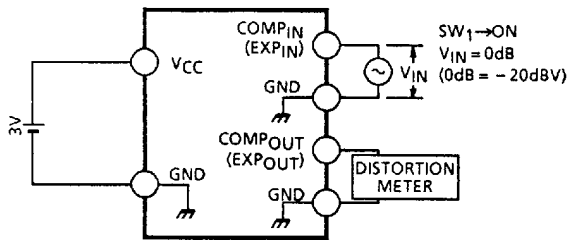
(1)  $I_{CCQ}$



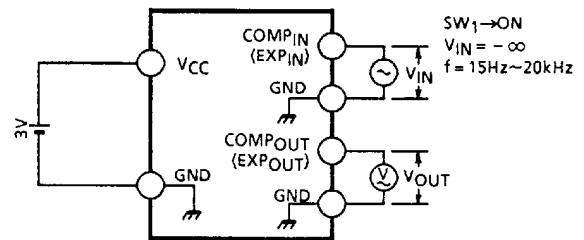
(2)  $V_{REF}$



(3)  $THD_C, THD_E$



(4)  $V_{NOC}, V_{NOE}$

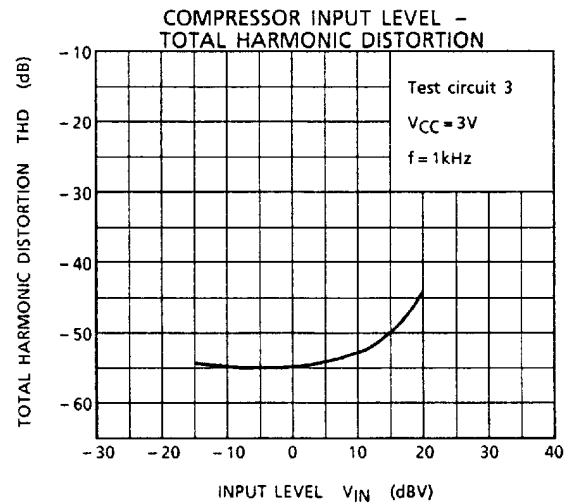
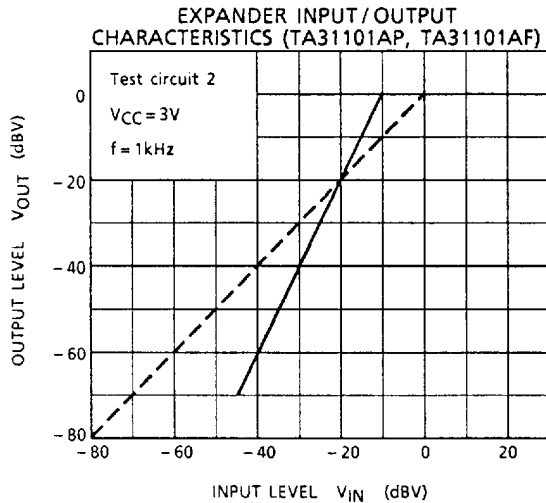
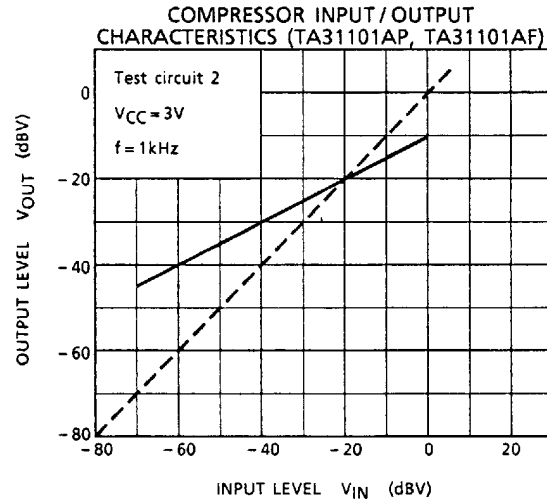
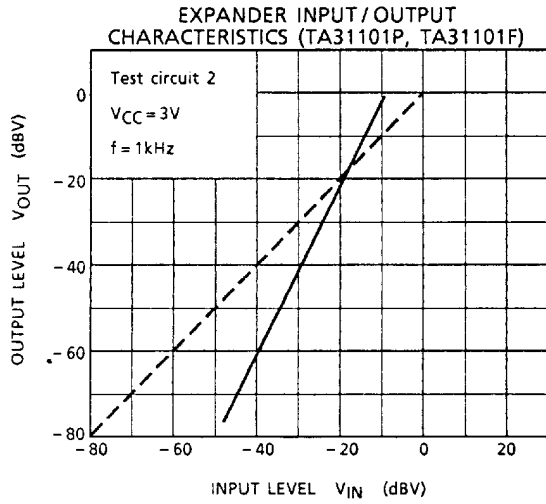
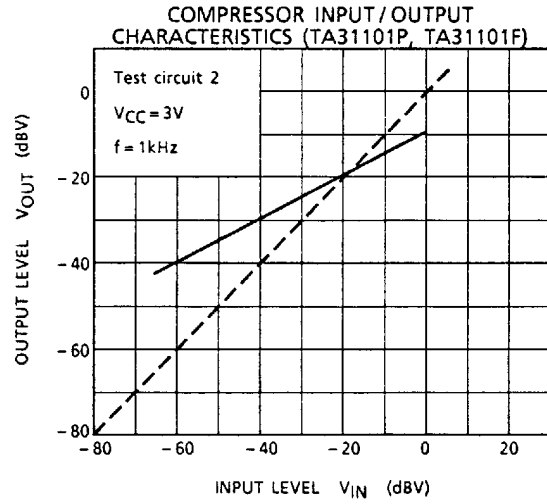
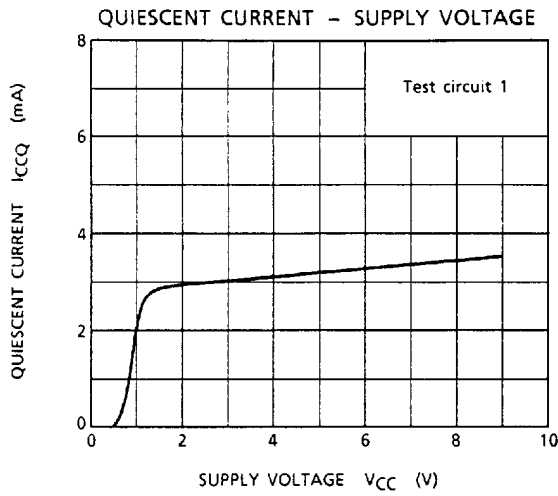


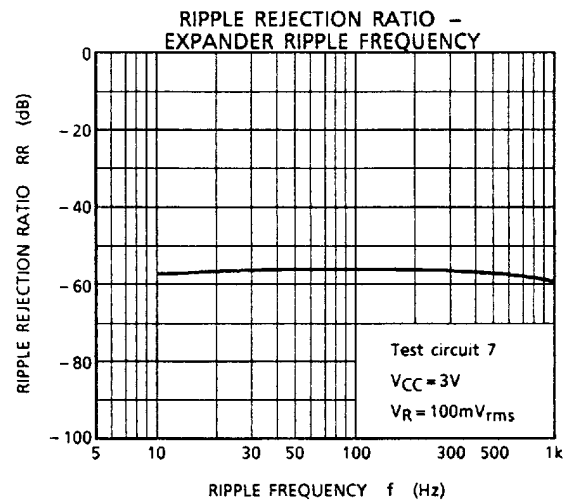
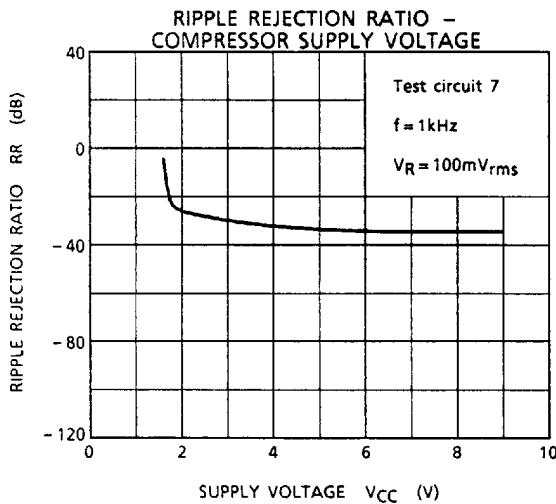
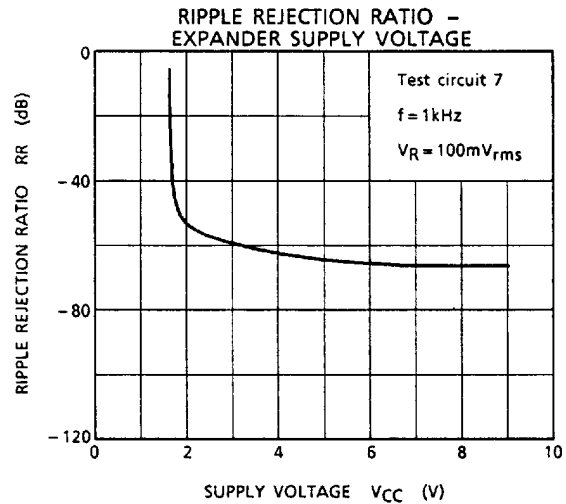
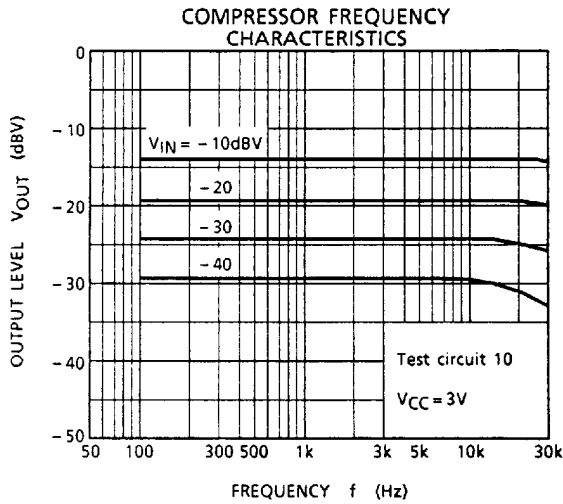
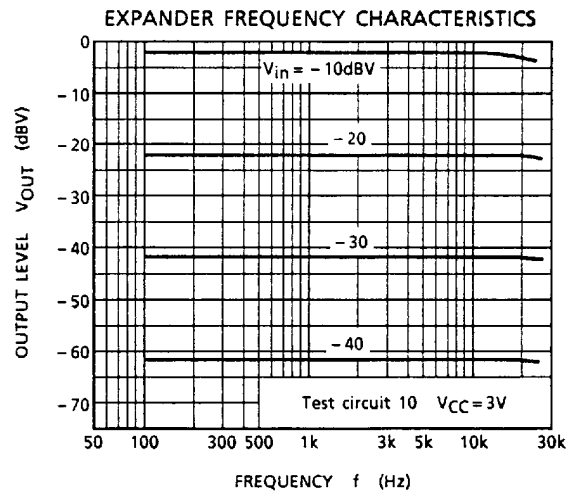
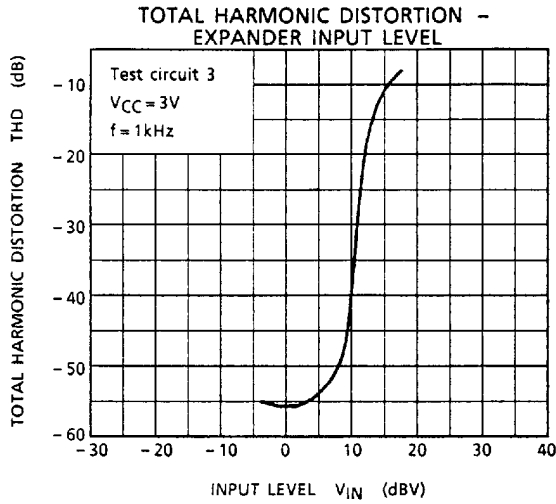
TA31101P - 5

1994 - 7 - 15

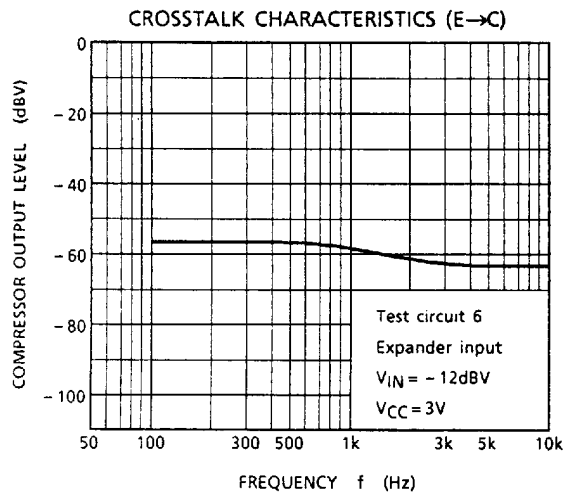
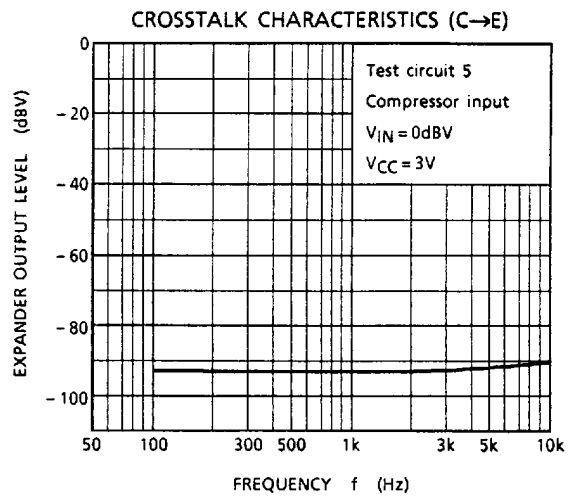
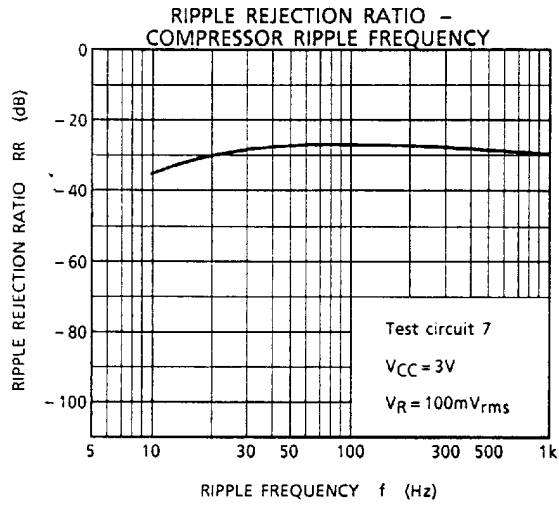
TOSHIBA CORPORATION



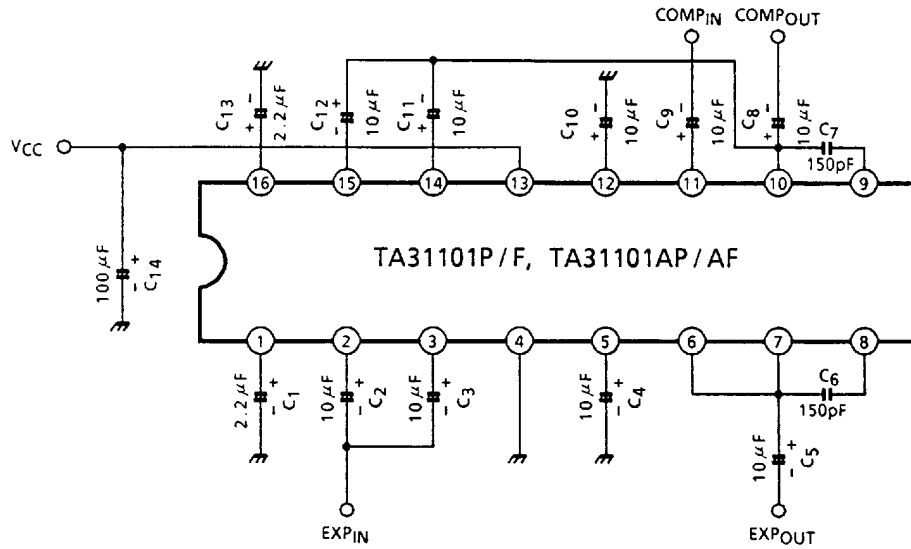








APPLICATION CIRCUIT



TA31101P - 10

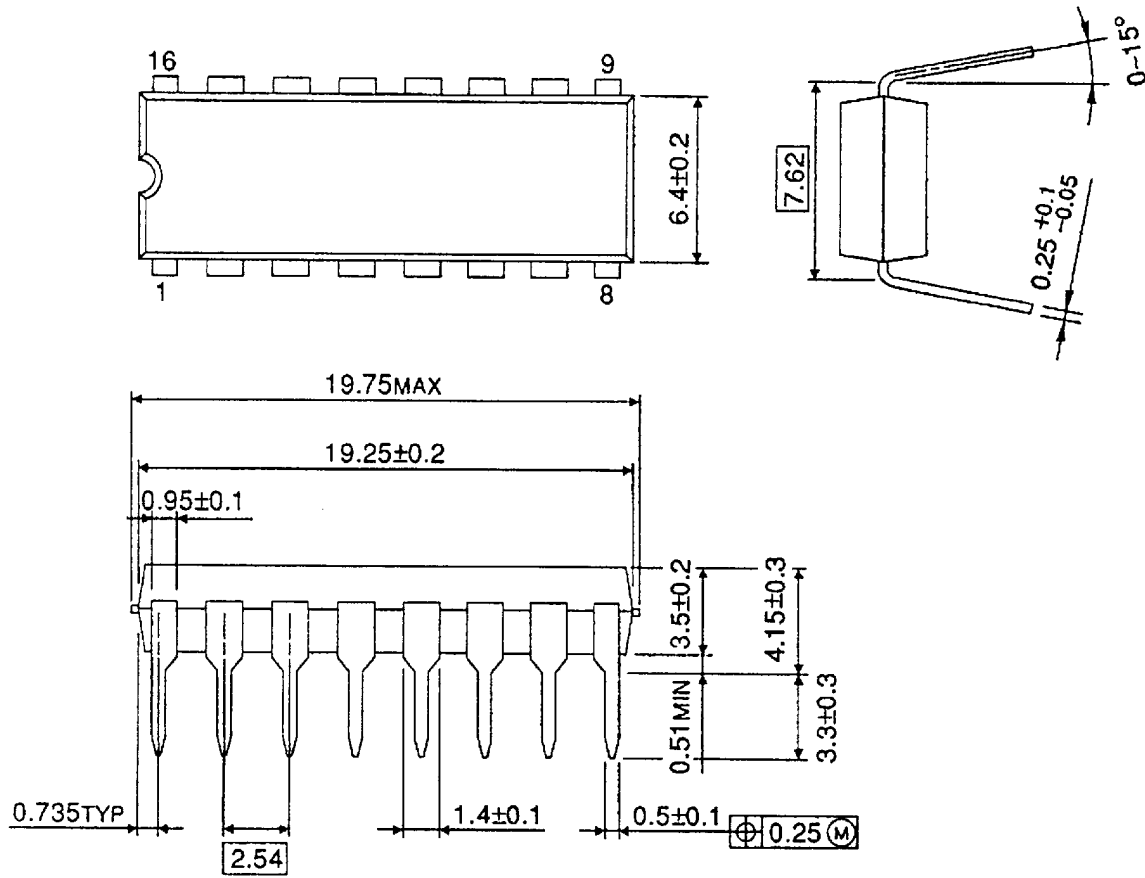
1994-7-15

TOSHIBA CORPORATION

■ 9097247 0019704 734 ■

**OUTLINE DRAWING**  
DIP16-P-300A

Unit : mm



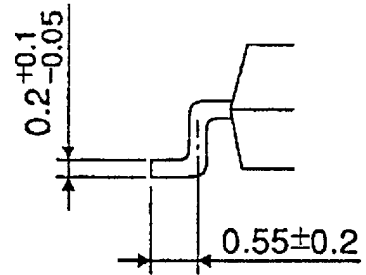
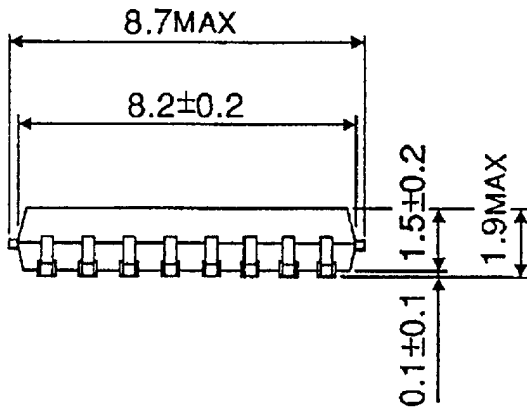
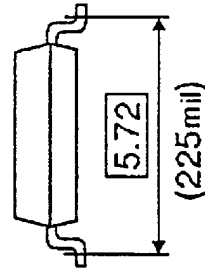
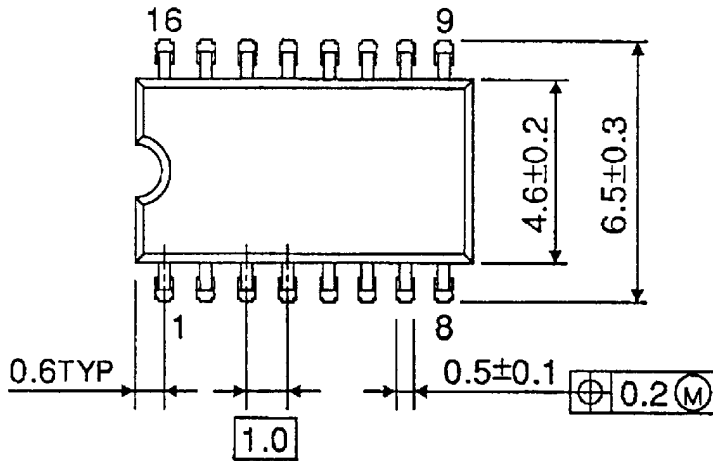
Weight : 1.1g (Typ.)

TA31101P - 11
1994 - 7 - 15
<b>TOSHIBA CORPORATION</b>

■ 9097247 0019705 670 ■

OUTLINE DRAWING  
SSOP16-P-225

Unit : mm



Weight : 0.14g (Typ.)

■ 9097247 0019706 507 ■

TA31101P - 12*
1994 - 7 - 15
<b>TOSHIBA CORPORATION</b>