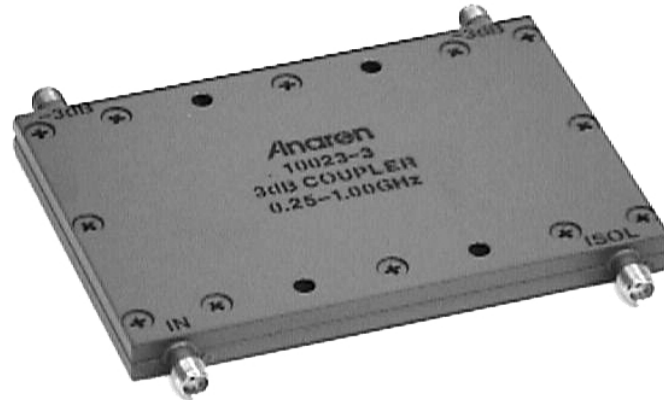


Hybrid Couplers

3 dB, 90°

Applications

- Balanced Mixers
- Antenna Feed Networks
- Phasing Networks
- Divider/Combiners



Features

- Military Grade
- 2-Way Power Split
- Quadrature
- Connectors Per MIL-C-39012
- Rugged Aluminum Housing
- Low VSWR

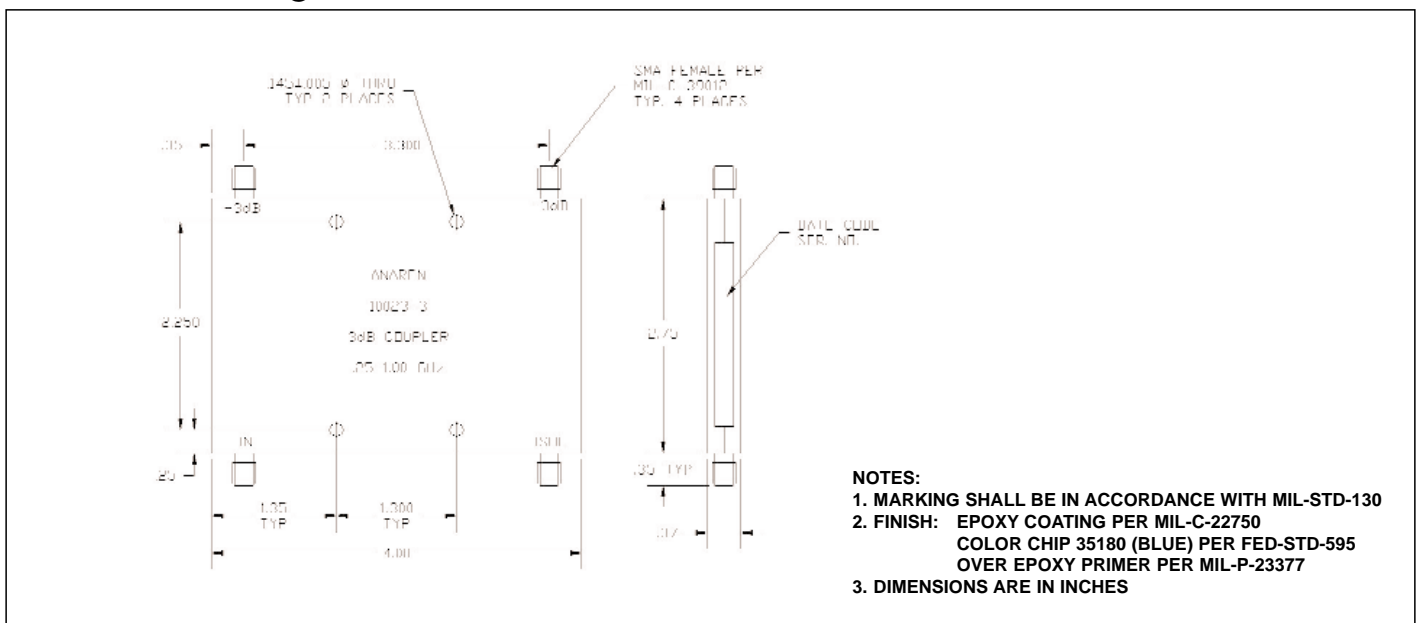
Electrical Specifications

Frequency MHz	Isolation dB Min/Typ	Insert. Loss dB Max	VSWR Max : 1
250 - 1000	20/23	0.50	1.30
Amp. Bal. dB Max	Phase Bal. Degrees Max	Power Ave. CW Watts	
±0.75	±3.0	200	

Notes: Impedance: 50 ohms nominal. Meets MIL-E-5400 Class III requirements. Additional screening available for military and space applications.

Electrical and Mechanical Specifications subject to change without notice.

Outline Drawing



Sales Desk USA: Voice: (800) 544-2414 Fax: (315) 432-9121
Sales Desk Europe: Voice: (+44) 23 92 232392 Fax: (+44) 23 92 251369