

1 Mb (128K x 8, Chip Erase) FLASH MEMORY

- 5V ±10% SUPPLY VOLTAGE
- 12V PROGRAMMING VOLTAGE
- FAST ACCESS TIME: 70ns
- BYTE PROGRAMING TIME: 10µs typical
- ELECTRICAL CHIP ERASE in 1s RANGE
- LOW POWER CONSUMPTION
 - Stand-by Current: 100µA max
- 10,000 ERASE/PROGRAM CYCLES
- INTEGRATED ERASE/PROGRAM-STOP TIMER
- OTP COMPATIBLE PACKAGES and PINOUTS
- ELECTRONIC SIGNATURE
 - Manufacturer Code: 20h
 - Device Code: 07h

DESCRIPTION

The M28F101 FLASH Memory is a non-volatile memory which may be erased electrically at the chip level and programmed byte-by-byte. It is organised as 128K bytes of 8 bits. It uses a command register architecture to select the operating modes and thus provides a simple microprocessor interface. The M28F101 FLASH Memory is suitable for applications where the memory has to be reprogrammed in the equipment. The access time of 70ns makes the device suitable for use in high speed microprocessor systems.

Table 1. Signal Names

| | |
|-----------------|-----------------------|
| A0-A16 | Address Inputs |
| DQ0-DQ7 | Data Inputs / Outputs |
| \bar{E} | Chip Enable |
| \bar{G} | Output Enable |
| \bar{W} | Write Enable |
| V _{PP} | Program Supply |
| V _{CC} | Supply Voltage |
| V _{SS} | Ground |

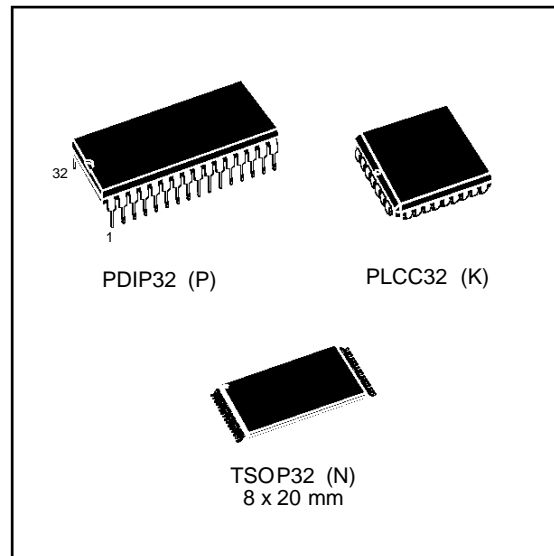
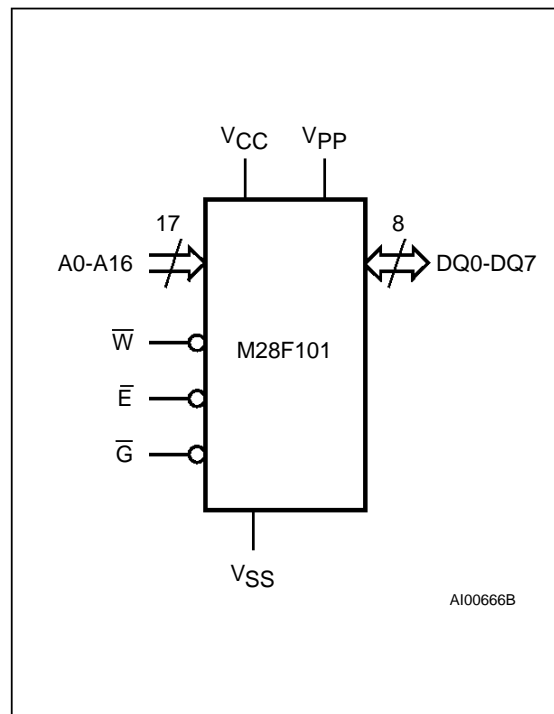


Figure 1. Logic Diagram



M28F101

Figure 2A. DIP Pin Connections

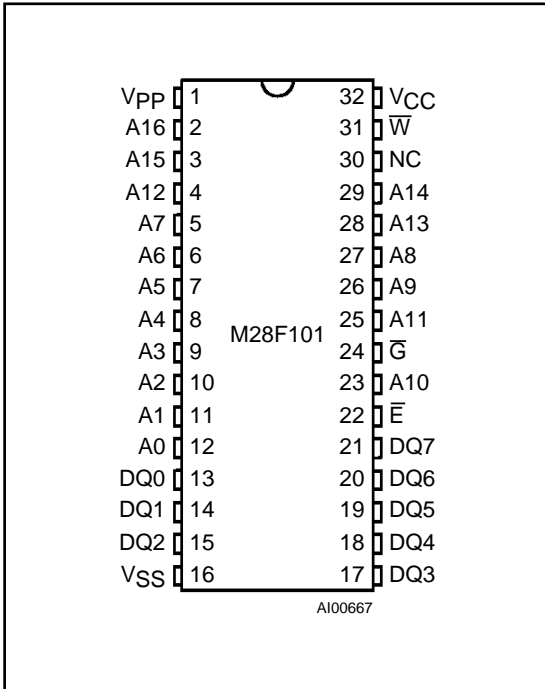


Figure 2B. LCC Pin Connections

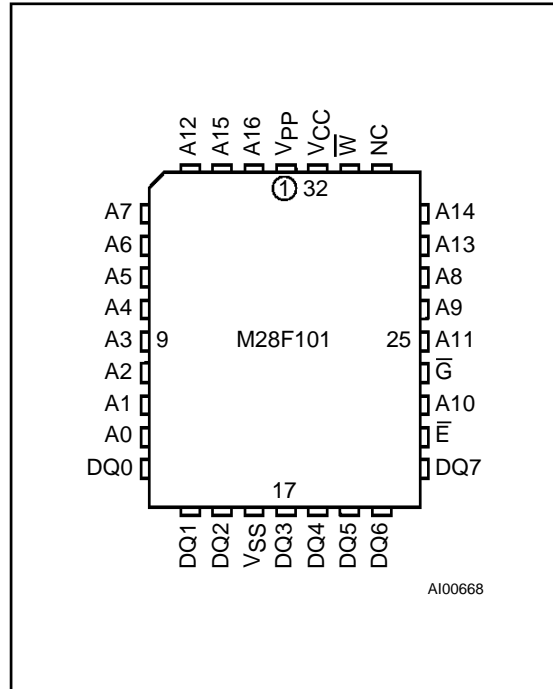


Figure 2C. TSOP Pin Connections

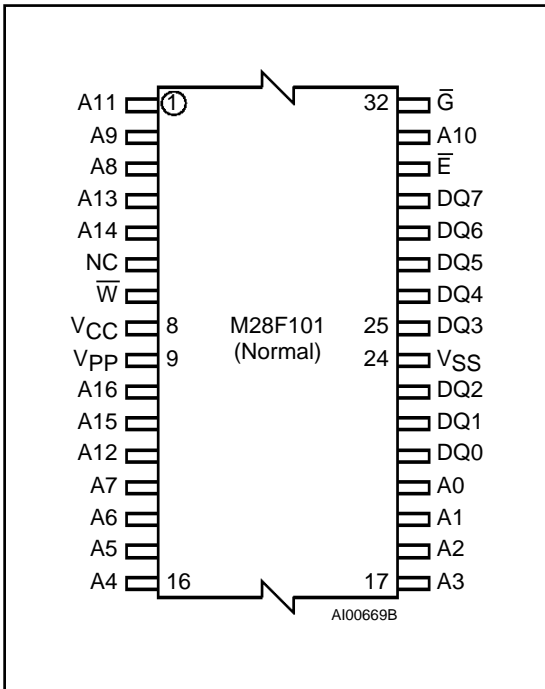


Figure 2D. TSOP Reverse Pin Connections

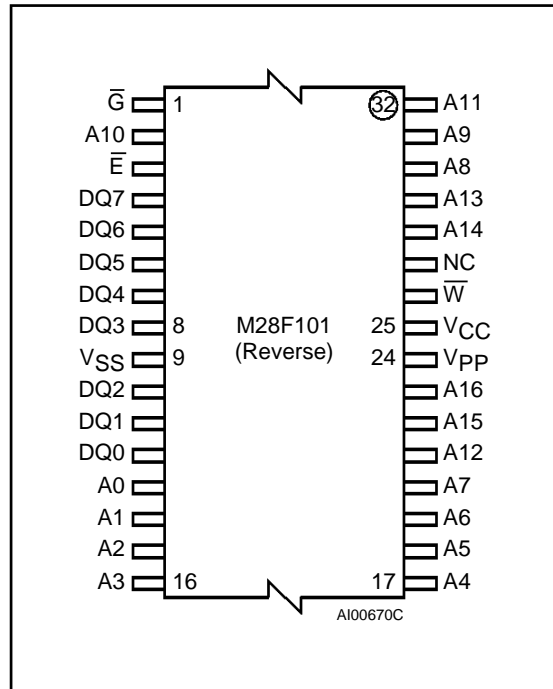


Table 2. Absolute Maximum Ratings

| Symbol | Parameter | Value | Unit |
|------------------|---|--------------|------|
| T _A | Ambient Operating Temperature | -40 to 125 | °C |
| T _{STG} | Storage Temperature | -65 to 150 | °C |
| V _{IO} | Input or Output Voltages | -0.6 to 7 | V |
| V _{CC} | Supply Voltage | -0.6 to 7 | V |
| V _{A9} | A9 Voltage | -0.6 to 13.5 | V |
| V _{PP} | Program Supply Voltage, during Erase or Programming | -0.6 to 14 | V |

Note: Except for the rating "Operating Temperature Range", stresses above those listed in the Table "Absolute Maximum Ratings" may cause permanent damage to the device. These are stress ratings only and operation of the device at these or any other conditions above those indicated in the Operating sections of this specification is not implied. Exposure to Absolute Maximum Rating conditions for extended periods may affect device reliability. Refer also to the SGS-THOMSON SURE Program and other relevant quality documents

DEVICE OPERATION

The M28F101 FLASH Memory employs a technology similar to a 1 Megabit EPROM but adds to the device functionality by providing electrical erasure and programming. These functions are managed by a command register. The functions that are addressed via the command register depend on the voltage applied to the V_{PP}, program voltage, input. When V_{PP} is less than or equal to 6.5V, the command register is disabled and M28F101 functions as a read only memory providing operating modes similar to an EPROM (Read, Output Disable, Electronic Signature Read and Standby). When V_{PP} is raised to 12V the command register is enabled and this provides, in addition, Erase and Program operations.

READ ONLY MODES, V_{PP} ≤ 6.5V

For all Read Only Modes, except Standby Mode, the Write Enable input \overline{W} should be High. In the Standby Mode this input is don't care.

Read Mode. The M28F101 has two enable inputs, \overline{E} and \overline{G} , both of which must be Low in order to output data from the memory. The Chip Enable (\overline{E}) is the power control and should be used for device selection. Output Enable (\overline{G}) is the output control and should be used to gate data on to the output, independent of the device selection.

Standby Mode. In the Standby Mode the maximum supply current is reduced. The device is placed in the Standby Mode by applying a High to the Chip Enable (\overline{E}) input. When in the Standby Mode the outputs are in a high impedance state, independent of the Output Enable (\overline{G}) input.

Output Disable Mode. When the Output Enable (\overline{G}) is High the outputs are in a high impedance state.

Electronic Signature Mode. This mode allows the read out of two binary codes from the device which identify the manufacturer and device type. This mode is intended for use by programming equipment to automatically select the correct erase and programming algorithms. The Electronic Signature Mode is active when a high voltage (11.5V to 13V) is applied to address line A9 with \overline{E} and \overline{G} Low. With A0 Low the output data is the manufacturer code, when A0 is High the output is the device type code. All other address lines should be maintained Low while reading the codes. The electronic signature may also be accessed in Read/Write modes.

READ/WRITE MODES, 11.4V ≤ V_{PP} ≤ 12.6V

When V_{PP} is High both read and write operations may be performed. These are defined by the contents of an internal command register. Commands may be written to this register to set-up and execute, Erase, Erase Verify, Program, Program Verify and Reset modes. Each of these modes needs 2 cycles. Each mode starts with a write operation to set-up the command, this is followed by either read or write operations. The device expects the first cycle to be a write operation and does not corrupt data at any location in the memory. Read mode is set-up with one cycle only and may be followed by any number of read operations to output data. Electronic Signature Read mode is set-up with one cycle and followed by a read cycle to output the manufacturer or device codes.

Table 3. Operations (1)

| | V _{PP} | Operation | \bar{E} | \bar{G} | \bar{W} | A9 | DQ0 - DQ7 |
|----------------|------------------|----------------------|-----------------|-----------------|-----------------------|-----------------|-------------|
| Read Only | V _{PPL} | Read | V _{IL} | V _{IL} | V _{IH} | A9 | Data Output |
| | | Output Disable | V _{IL} | V _{IH} | V _{IH} | X | Hi-Z |
| | | Standby | V _{IH} | X | X | X | Hi-Z |
| | | Electronic Signature | V _{IL} | V _{IL} | V _{IH} | V _{ID} | Codes |
| Read/Write (2) | V _{PPH} | Read | V _{IL} | V _{IL} | V _{IH} | A9 | Data Output |
| | | Write | V _{IL} | V _{IH} | V _{IL} Pulse | A9 | Data Input |
| | | Output Disable | V _{IL} | V _{IH} | V _{IH} | X | Hi-Z |
| | | Standby | V _{IH} | X | X | X | Hi-Z |

Notes: 1. X = V_{IL} or V_{IH}.
 2. Refer also to the Command table.

Table 4. Electronic Signature

| Identifier | A0 | DQ7 | DQ6 | DQ5 | DQ4 | DQ3 | DQ2 | DQ1 | DQ0 | Hex Data |
|---------------------|-----------------|-----|-----|-----|-----|-----|-----|-----|-----|----------|
| Manufacturer's Code | V _{IL} | 0 | 0 | 1 | 0 | 0 | 0 | 0 | 0 | 20h |
| Device Code | V _{IH} | 0 | 0 | 0 | 0 | 0 | 1 | 1 | 1 | 07h |

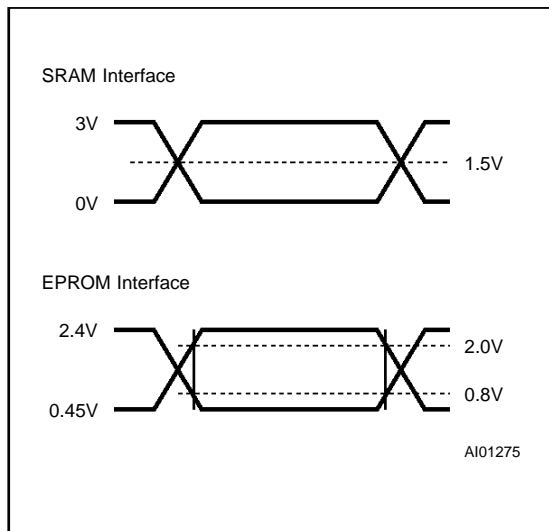
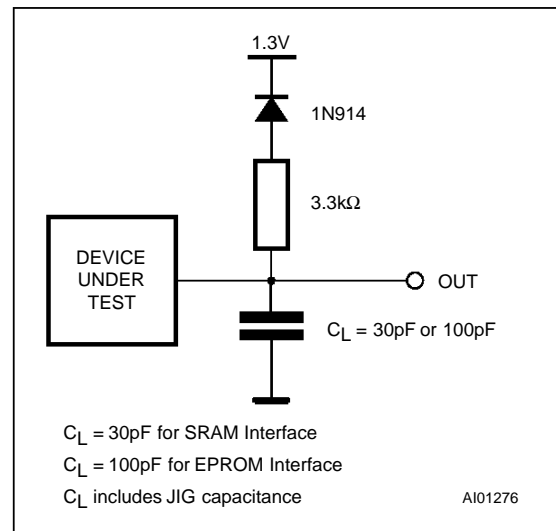
Table 5. Commands (1)

| Command | Cycles | 1st Cycle | | | 2nd Cycle | | |
|---------------------------|--------|-----------|--------|---------|-----------|--------|-------------|
| | | Operation | A0-A16 | DQ0-DQ7 | Operation | A0-A16 | DQ0-DQ7 |
| Read | 1 | Write | X | 00h | | | |
| Electronic Signature (2) | 2 | Write | X | 90h | Read | 00000h | 20h |
| | | | | | Read | 00001h | 07h |
| Setup Erase/ Erase | 2 | Write | X | 20h | | | |
| | | | | | Write | X | 20h |
| Erase Verify | 2 | Write | A0-A16 | A0h | Read | X | Data Output |
| Setup Program/ Program | 2 | Write | X | 40h | | | |
| | | | | | Write | A0-A16 | Data Input |
| Program Verify | 2 | Write | X | C0h | Read | X | Data Output |
| Reset | 2 | Write | X | FFh | Write | X | FFh |

Notes: 1. X = V_{IL} or V_{IH}.
 2. Refer also to the Electronic Signature table.

Table 6. AC Measurement Conditions

| | SRAM Interface Levels | EPROM Interface Levels |
|---------------------------------------|-----------------------|------------------------|
| Input Rise and Fall Times | ≤ 10ns | ≤ 10ns |
| Input Pulse Voltages | 0 to 3V | 0.45V to 2.4V |
| Input and Output Timing Ref. Voltages | 1.5V | 0.8V and 2V |

Figure 3. AC Testing Input Output Waveform**Figure 4. AC Testing Load Circuit****Table 7. Capacitance⁽¹⁾** ($T_A = 25\text{ }^\circ\text{C}$, $f = 1\text{ MHz}$)

| Symbol | Parameter | Test Condition | Min | Max | Unit |
|-----------|--------------------|----------------|-----|-----|------|
| C_{IN} | Input Capacitance | $V_{IN} = 0V$ | | 6 | pF |
| C_{OUT} | Output Capacitance | $V_{OUT} = 0V$ | | 12 | pF |

Note: 1. Sampled only, not 100% test.ed

READ/WRITE MODES (cont'd)

A write to the command register is made by bringing \overline{W} Low while \overline{E} is Low. The falling edge of \overline{W} latches Addresses, while the rising edge latches Data, which are used for those commands that require address inputs, command input or provide data output.

The supply voltage V_{CC} and the program voltage V_{PP} can be applied in any order. When the device is powered up or when V_{PP} is $\leq 6.5V$ the contents of the command register defaults to 00h, thus automatically setting-up Read operations. In addition a specific command may be used to set the command register to 00h for reading the memory.

The system designer may choose to provide a constant high V_{PP} and use the register commands for all operations, or to switch the V_{PP} from low to high only when needing to erase or program the memory. All command register access is inhibited when V_{CC} falls below the Erase/Write Lockout Voltage (V_{LKO}) of 2.5V.

If the device is deselected during Erasure, Programming or Verification it will draw active supply currents until the operations are terminated.

The device is protected against stress caused by long erase or program times. If the end of Erase or Programming operations are not terminated by a Verify cycle within a maximum time permitted, an internal stop timer automatically stops the operation. The device remains in an inactive state, ready to start a Verify or Reset Mode operation.

M28F101

Table 8. DC Characteristics

($T_A = 0$ to $70\text{ }^\circ\text{C}$, -40 to $85\text{ }^\circ\text{C}$ or -40 to $125\text{ }^\circ\text{C}$; $V_{CC} = 5V \pm 10\%$)

| Symbol | Parameter | Test Condition | Min | Max | Unit |
|-----------------|---|--|---------------|----------------|---------------|
| I_{LI} | Input Leakage Current | $0V \leq V_{IN} \leq V_{CC}$ | | ± 1 | μA |
| I_{LO} | Output Leakage Current | $0V \leq V_{OUT} \leq V_{CC}$ | | ± 10 | μA |
| I_{CC} | Supply Current (Read) | $\bar{E} = V_{IL}$, $f = 6\text{MHz}$ | | 30 | mA |
| I_{CC1} | Supply Current (Standby) TTL | $\bar{E} = V_{IH}$ | | 1 | mA |
| | Supply Current (Standby) CMOS | $\bar{E} = V_{CC} \pm 0.2V$ | | 50 | μA |
| $I_{CC2}^{(1)}$ | Supply Current (Programming) | During Programming | | 10 | mA |
| $I_{CC3}^{(1)}$ | Supply Current (Program Verify) | During Verify | | 15 | mA |
| $I_{CC4}^{(1)}$ | Supply Current (Erase) | During Erasure | | 15 | mA |
| $I_{CC5}^{(1)}$ | Supply Current (Erase Verify) | During Erase Verify | | 15 | mA |
| I_{LPP} | Program Leakage Current | $V_{PP} \leq V_{CC}$ | | ± 10 | μA |
| I_{PP} | Program Current (Read or Standby) | $V_{PP} > V_{CC}$ | | 120 | μA |
| | | $V_{PP} \leq V_{CC}$ | | ± 10 | μA |
| $I_{PP1}^{(1)}$ | Program Current (Programming) | $V_{PP} = V_{PPH}$, During Programming | | 30 | mA |
| $I_{PP2}^{(1)}$ | Program Current (Program Verify) | $V_{PP} = V_{PPH}$, During Verify | | 5 | mA |
| $I_{PP3}^{(1)}$ | Program Current (Erase) | $V_{PP} = V_{PPH}$, During Erase | | 30 | mA |
| $I_{PP4}^{(1)}$ | Program Current (Erase Verify) | $V_{PP} = V_{PPH}$, During Erase Verify | | 5 | mA |
| V_{IL} | Input Low Voltage | | -0.5 | 0.8 | V |
| V_{IH} | Input High Voltage TTL | | 2 | $V_{CC} + 0.5$ | V |
| | Input High Voltage CMOS | | $0.7 V_{CC}$ | $V_{CC} + 0.5$ | V |
| V_{OL} | Output Low Voltage | $I_{OL} = 5.8\text{mA}$ (grade 1) | | 0.45 | V |
| | | $I_{OL} = 2.1\text{mA}$ (grade 6) | | 0.45 | V |
| V_{OH} | Output High Voltage CMOS | $I_{OH} = -100\mu\text{A}$ | 4.1 | | V |
| | | $I_{OH} = -2.5\text{mA}$ | $0.85 V_{CC}$ | | V |
| | Output High Voltage TTL | $I_{OH} = -2.5\text{mA}$ | 2.4 | | V |
| V_{PPL} | Program Voltage (Read Operations) | | 0 | 6.5 | V |
| V_{PPH} | Program Voltage (Read/Write Operations) | | 11.4 | 12.6 | V |
| V_{ID} | A9 Voltage (Electronic Signature) | | 11.5 | 13 | V |
| $I_{ID}^{(1)}$ | A9 Current (Electronic Signature) | $A9 = V_{ID}$ | | 200 | μA |
| V_{LKO} | Supply Voltage, Erase/Program Lock-out | | 2.5 | | V |

Note: 1. Not 100% tested. Characterisation Data available.

Table 9A. Read Only Mode AC Characteristics(T_A = 0 to 70 °C, -40 to 85 °C or -40 to 125 °C; 0V ≤ V_{PP} ≤ 6.5V)

| Symbol | Alt | Parameter | Test Condition | M28F101 | | | | | | Unit |
|----------------------------------|------------------|---|--------------------------------------|------------------------|-----|-------------------------|-----|-------------------------|-----|------|
| | | | | -70 | | -90 | | -100 | | |
| | | | | V _{CC} =5V±5% | | V _{CC} =5V±10% | | V _{CC} =5V±10% | | |
| | | | | SRAM Interface | | EPROM Interface | | EPROM Interface | | |
| | | | | Min | Max | Min | Max | Min | Max | |
| t _{WHGL} | | Write Enable High to Output Enable Low | | 6 | | 6 | | 6 | | μs |
| t _{AVAV} | t _{RC} | Read Cycle Time | $\bar{E} = V_{IL}, \bar{G} = V_{IL}$ | 70 | | 90 | | 100 | | ns |
| t _{AVQV} | t _{ACC} | Address Valid to Output Valid | $\bar{E} = V_{IL}, \bar{G} = V_{IL}$ | | 70 | | 90 | | 100 | ns |
| t _{ELQX} ⁽¹⁾ | t _{LZ} | Chip Enable Low to Output Transition | $\bar{G} = V_{IL}$ | 0 | | 0 | | 0 | | ns |
| t _{ELQV} | t _{CE} | Chip Enable Low to Output Valid | $\bar{G} = V_{IL}$ | | 70 | | 90 | | 100 | ns |
| t _{GLQX} ⁽¹⁾ | t _{OLZ} | Output Enable Low to Output Transition | $\bar{E} = V_{IL}$ | 0 | | 0 | | 0 | | ns |
| t _{GLQV} | t _{OE} | Output Enable Low to Output Valid | $\bar{E} = V_{IL}$ | | 40 | | 40 | | 45 | ns |
| t _{EHQZ} ⁽¹⁾ | | Chip Enable High to Output Hi-Z | $\bar{G} = V_{IL}$ | 0 | 30 | 0 | 45 | 0 | 45 | ns |
| t _{GHQZ} ⁽¹⁾ | t _{DF} | Output Enable High to Output Hi-Z | $\bar{E} = V_{IL}$ | 0 | 30 | 0 | 30 | 0 | 30 | ns |
| t _{AXQX} | t _{OH} | Address Transition to Output Transition | $\bar{E} = V_{IL}, \bar{G} = V_{IL}$ | 0 | | 0 | | 0 | | ns |

Note: 1. Sampled only, not 100% tested

Read Mode. The Read Mode is the default at power up or may be set-up by writing 00h to the command register. Subsequent read operations output data from the memory. The memory remains in the Read Mode until a new command is written to the command register.

Electronic Signature Mode. In order to select the correct erase and programming algorithms for on-board programming, the manufacturer and device

codes may be read directly. It is not necessary to apply a high voltage to A9 when using the command register. The Electronic Signature Mode is set-up by writing 90h to the command register. The following read cycles, with address inputs 00000h or 00001h, output the manufacturer or device type codes. The command is terminated by writing another valid command to the command register (for example Reset).

Table 9B. Read Only Mode AC Characteristics(($T_A = 0$ to $70\text{ }^\circ\text{C}$, -40 to $85\text{ }^\circ\text{C}$ or -40 to $125\text{ }^\circ\text{C}$; $0V \leq V_{PP} \leq 6.5V$)

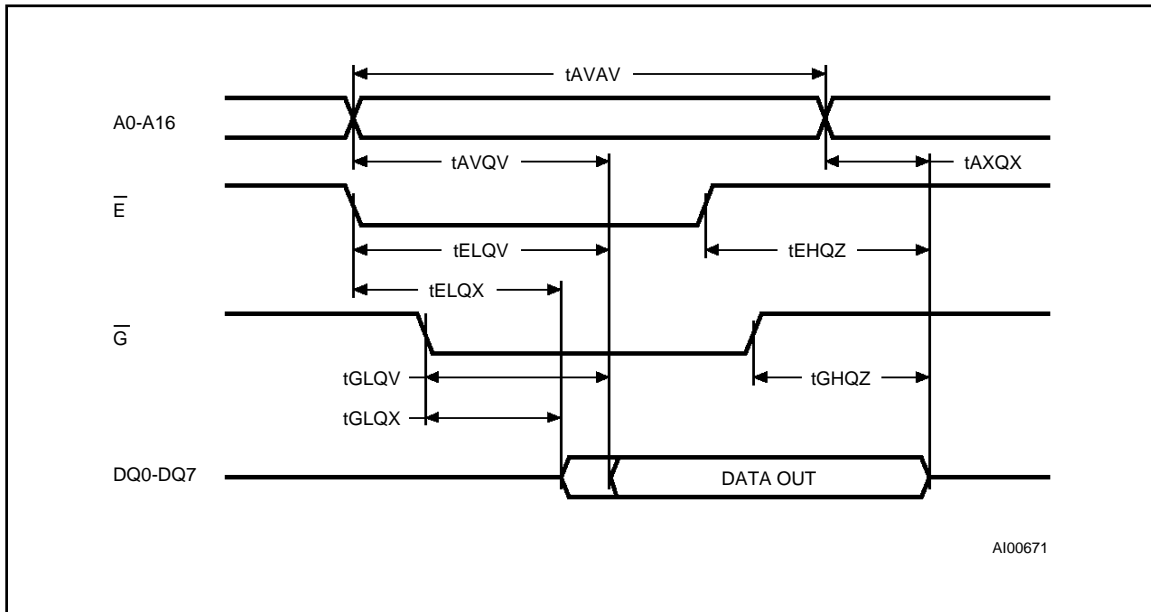
| Symbol | Alt | Parameter | Test Condition | M28F101 | | | | | | Unit |
|------------------|-----------|---|--------------------------------------|---------------------|-----|---------------------|-----|---------------------|-----|---------------|
| | | | | -120 | | -150 | | -200 | | |
| | | | | $V_{CC}=5V\pm 10\%$ | | $V_{CC}=5V\pm 10\%$ | | $V_{CC}=5V\pm 10\%$ | | |
| | | | | EPROM Interface | | EPROM Interface | | EPROM Interface | | |
| | | | | Min | Max | Min | Max | Min | Max | |
| t_{WHGL} | | Write Enable High to Output Enable Low | | 6 | | 6 | | 6 | | μs |
| t_{AVAV} | t_{RC} | Read Cycle Time | $\bar{E} = V_{IL}, \bar{G} = V_{IL}$ | 120 | | 150 | | 200 | | ns |
| t_{AVQV} | t_{ACC} | Address Valid to Output Valid | $\bar{E} = V_{IL}, \bar{G} = V_{IL}$ | | 120 | | 150 | | 200 | ns |
| $t_{ELQX}^{(1)}$ | t_{LZ} | Chip Enable Low to Output Transition | $\bar{G} = V_{IL}$ | 0 | | 0 | | 0 | | ns |
| t_{ELQV} | t_{CE} | Chip Enable Low to Output Valid | $\bar{G} = V_{IL}$ | | 120 | | 150 | | 200 | ns |
| $t_{GLQX}^{(1)}$ | t_{OLZ} | Output Enable Low to Output Transition | $\bar{E} = V_{IL}$ | 0 | | 0 | | 0 | | ns |
| t_{GLQV} | t_{OE} | Output Enable Low to Output Valid | $\bar{E} = V_{IL}$ | | 50 | | 55 | | 60 | ns |
| $t_{EHQZ}^{(1)}$ | | Chip Enable High to Output Hi-Z | $\bar{G} = V_{IL}$ | 0 | 55 | 0 | 55 | 0 | 60 | ns |
| $t_{GHQZ}^{(1)}$ | t_{DF} | Output Enable High to Output Hi-Z | $\bar{E} = V_{IL}$ | 0 | 30 | 0 | 35 | 0 | 40 | ns |
| t_{AXQX} | t_{OH} | Address Transition to Output Transition | $\bar{E} = V_{IL}, \bar{G} = V_{IL}$ | 0 | | 0 | | 0 | | ns |

Note: 1. Sampled only, not 100% tested

Erase and Erase Verify Modes. The memory is erased by first Programming all bytes to 00h, the Erase command then erases them to FFh. The Erase Verify command is then used to read the memory byte-by-byte for a content of FFh. The Erase Mode is set-up by writing 20h to the command register. The write cycle is then repeated to start the erase operation. Erasure starts on the rising edge of \bar{W} during this second cycle. Erase is followed by an Erase Verify which reads an addressed byte.

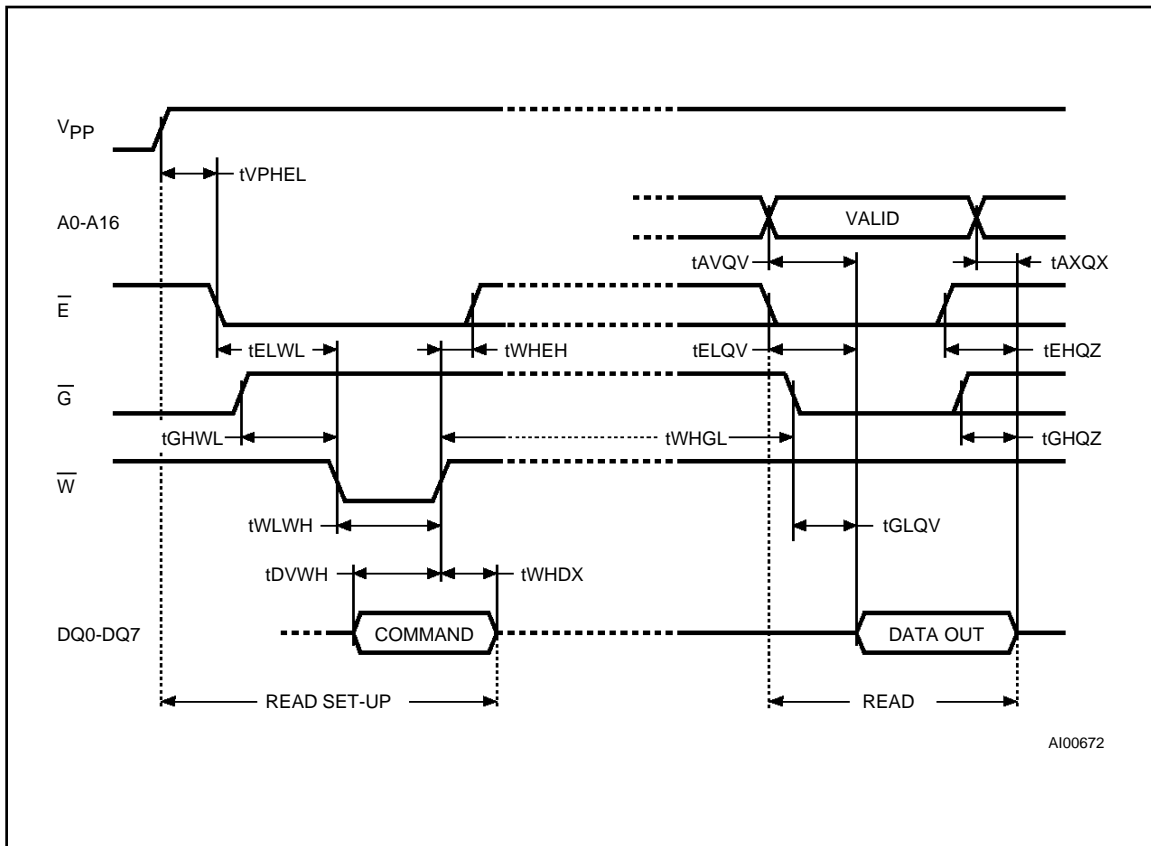
Erase Verify Mode is set-up by writing A0h to the command register and at the same time supplying the address of the byte to be verified. The rising edge of \bar{W} during the set-up of the first Erase Verify Mode stops the Erase operation. The following read cycle is made with an internally generated margin voltage applied; reading FFh indicates that all bits of the addressed byte are fully erased. The whole contents of the memory are verified by repeating the Erase Verify Operation, first writing the set-up code A0h with the address of the byte to be verified and then reading the byte contents in a second read cycle.

Figure 5. Read Mode AC Waveforms



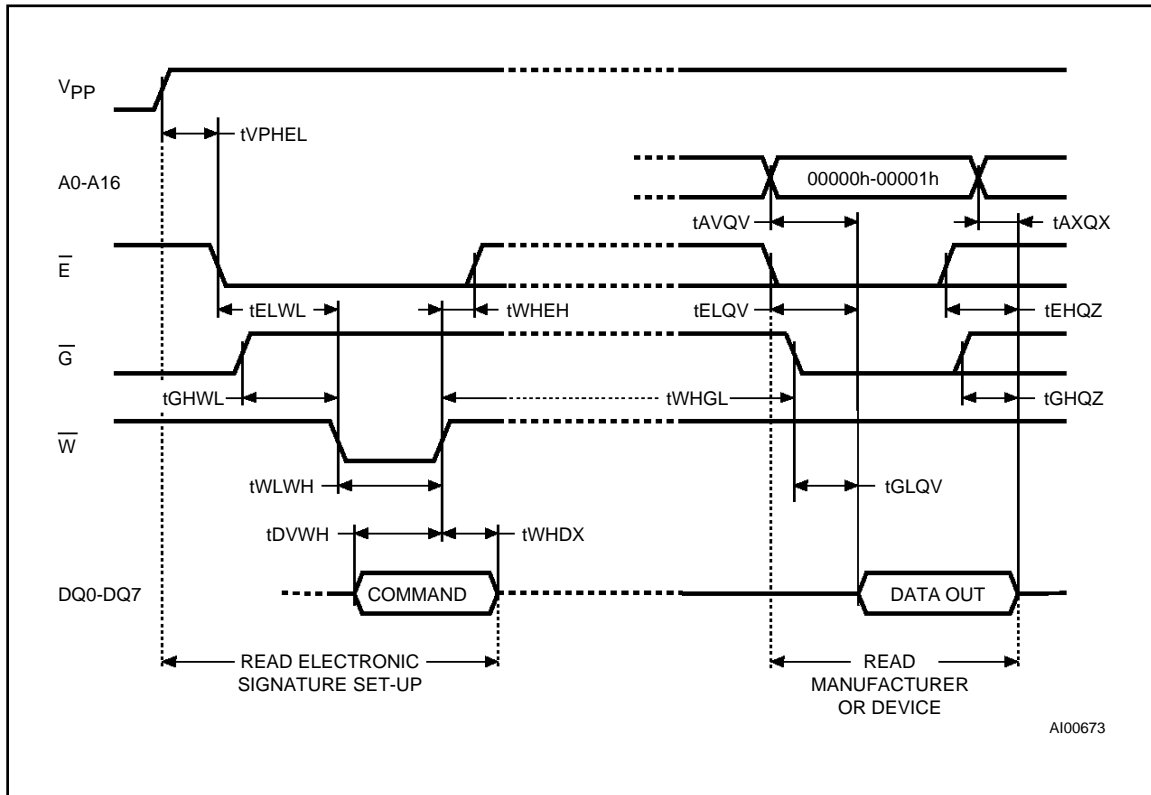
AI00671

Figure 6. Read Command Waveforms



AI00672

Figure 7. Electronic Signature Command Waveforms



READ/WRITE MODES (cont'd)

As the Erase algorithm flow chart shows, when the data read during Erase Verify is not FFh, another Erase operation is performed and verification continues from the address of the last verified byte. The command is terminated by writing another valid command to the command register (for example Program or Reset).

Program and Program Verify Modes. The Program Mode is set-up by writing 40h to the command register. This is followed by a second write cycle which latches the address and data of the byte to be programmed. The rising edge of \bar{W} during this second cycle starts the programming operation. Programming is followed by a Program Verify of the data written.

Program Verify Mode is set-up by writing C0h to the command register. The rising edge of \bar{W} during the set-up of the Program Verify Mode stops the Programming operation. The following read cycle, of the address already latched during programming, is made with an internally generated margin voltage applied, reading valid data indicates that all bits have been programmed.

Reset Mode. This command is used to safely abort Erase or Program Modes. The Reset Mode is set-up and performed by writing FFh two times to the command register. The command should be followed by writing a valid command to the the command register (for example Read).

Table 10A. Read/Write Mode AC Characteristics, \bar{W} and \bar{E} Controlled
 ($T_A = 0$ to 70 °C, -40 to 85 °C or -40 to 125 °C)

| Symbol | Alt | Parameter | M28F101 | | | | | | Unit |
|------------------|-----------|---|--------------------|-----|---------------------|----|---------------------|-----|---------|
| | | | -70 | | -90 | | -100 | | |
| | | | $V_{CC}=5V\pm 5\%$ | | $V_{CC}=5V\pm 10\%$ | | $V_{CC}=5V\pm 10\%$ | | |
| | | | SRAM Interface | | EPROM Interface | | EPROM Interface | | |
| Min | Max | Min | Max | Min | Max | | | | |
| t_{VPHEL} | | V_{PP} High to Chip Enable Low | 1 | | 1 | | 1 | | μs |
| t_{VPHWL} | | V_{PP} High to Write Enable Low | 1 | | 1 | | 1 | | μs |
| t_{WHWH3} | t_{WC} | Write Cycle Time | 70 | | 90 | | 100 | | ns |
| t_{AVWL} | t_{AS} | Address Valid to Write Enable Low | 0 | | 0 | | 0 | | ns |
| t_{AVEL} | | Address Valid to Chip Enable Low | 0 | | 0 | | 0 | | ns |
| t_{WLAX} | t_{AH} | Write Enable Low to Address Transition | 40 | | 40 | | 40 | | ns |
| t_{ELAX} | | Chip Enable Low to Address Transition | 50 | | 60 | | 60 | | ns |
| t_{ELWL} | t_{CS} | Chip Enable Low to Write Enable Low | 10 | | 15 | | 15 | | ns |
| t_{WLEL} | | Write Enable Low to Chip Enable Low | 0 | | 0 | | 0 | | ns |
| t_{GHWL} | | Output Enable High to Write Enable Low | 0 | | 0 | | 0 | | μs |
| t_{GHEL} | | Output Enable High to Chip Enable Low | 0 | | 0 | | 0 | | μs |
| t_{DVWH} | t_{DS} | Input Valid to Write Enable High | 30 | | 40 | | 40 | | ns |
| t_{DVEH} | | Input Valid to Chip Enable High | 30 | | 35 | | 40 | | ns |
| t_{WLWH} | t_{WP} | Write Enable Low to Write Enable High (Write Pulse) | 35 | | 40 | | 40 | | ns |
| t_{ELEH} | | Chip Enable Low to Chip Enable High (Write Pulse) | 35 | | 45 | | 45 | | ns |
| t_{WHDX} | t_{DH} | Write Enable High to Input Transition | 10 | | 10 | | 10 | | ns |
| t_{EHDX} | | Chip Enable High to Input Transition | 10 | | 10 | | 10 | | ns |
| t_{WHWH1} | | Duration of Program Operation | 9.5 | | 9.5 | | 9.5 | | μs |
| t_{EHEH1} | | Duration of Program Operation | 9.5 | | 9.5 | | 9.5 | | μs |
| t_{WHWH2} | | Duration of Erase Operation | 9.5 | | 9.5 | | 9.5 | | ms |
| t_{WHEH} | t_{CH} | Write Enable High to Chip Enable High | 0 | | 0 | | 0 | | ns |
| t_{EHWH} | | Chip Enable High to Write Enable High | 0 | | 0 | | 0 | | ns |
| t_{WHWL} | t_{WPH} | Write Enable High to Write Enable Low | 20 | | 20 | | 20 | | ns |
| t_{EHEL} | | Chip Enable High to Chip Enable Low | 20 | | 20 | | 20 | | ns |
| t_{WHGL} | | Write Enable High to Output Enable Low | 6 | | 6 | | 6 | | μs |
| t_{EHGL} | | Chip Enable High to Output Enable Low | 6 | | 6 | | 6 | | μs |
| t_{AVQV} | t_{ACC} | Address Valid to data Output | | 70 | | 90 | | 100 | ns |
| $t_{ELQX}^{(1)}$ | t_{LZ} | Chip Enable Low to Output Transition | 0 | | 0 | | 0 | | ns |
| t_{ELQV} | t_{CE} | Chip Enable Low to Output Valid | | 70 | | 90 | | 100 | ns |
| $t_{GLQX}^{(1)}$ | t_{OLZ} | Output Enable Low to Output Transition | 0 | | 0 | | 0 | | ns |
| t_{GLQV} | t_{OE} | Output Enable Low to Output Valid | | 40 | | 40 | | 45 | ns |
| $t_{EHQZ}^{(1)}$ | | Chip Enable High to Output Hi-Z | | 30 | | 40 | | 40 | ns |
| $t_{GHQZ}^{(1)}$ | t_{DF} | Output Enable High to Output Hi-Z | | 30 | | 30 | | 30 | ns |
| t_{AXQX} | t_{OH} | Address Transition to Output Transition | 0 | | 0 | | 0 | | ns |

Note: 1. Sampled only, not 100% tested.



M28F101

Table 10B. Read/Write Mode AC Characteristics, \overline{W} and \overline{E} Controlled
($T_A = 0$ to $70\text{ }^\circ\text{C}$, -40 to $85\text{ }^\circ\text{C}$ or -40 to $125\text{ }^\circ\text{C}$)

| Symbol | Alt | Parameter | M28F101 | | | | | | Unit |
|------------------|-----------|---|---------------------|-----|---------------------|-----|---------------------|-----|---------------|
| | | | -120 | | -150 | | -200 | | |
| | | | $V_{CC}=5V\pm 10\%$ | | $V_{CC}=5V\pm 10\%$ | | $V_{CC}=5V\pm 10\%$ | | |
| | | | EPROM Interface | | EPROM Interface | | EPROM Interface | | |
| | | Min | Max | Min | Max | Min | Max | | |
| t_{VPHEL} | | V_{PP} High to Chip Enable Low | 1 | | 1 | | 1 | | μs |
| t_{VPHWL} | | V_{PP} High to Write Enable Low | 1 | | 1 | | 1 | | μs |
| t_{WHWH3} | t_{WC} | Write Cycle Time | 120 | | 150 | | 200 | | ns |
| t_{AVWL} | t_{AS} | Address Valid to Write Enable Low | 0 | | 0 | | 0 | | ns |
| t_{AVEL} | | Address Valid to Chip Enable Low | 0 | | 0 | | 0 | | ns |
| t_{WLAX} | t_{AH} | Write Enable Low to Address Transition | 60 | | 60 | | 75 | | ns |
| t_{ELAX} | | Chip Enable Low to Address Transition | 80 | | 80 | | 80 | | ns |
| t_{ELWL} | t_{CS} | Chip Enable Low to Write Enable Low | 20 | | 20 | | 20 | | ns |
| t_{WLEL} | | Write Enable Low to Chip Enable Low | 0 | | 0 | | 0 | | ns |
| t_{GHWL} | | Output Enable High to Write Enable Low | 0 | | 0 | | 0 | | μs |
| t_{GHEL} | | Output Enable High to Chip Enable Low | 0 | | 0 | | 0 | | μs |
| t_{DVWH} | t_{DS} | Input Valid to Write Enable High | 50 | | 50 | | 50 | | ns |
| t_{DVEH} | | Input Valid to Chip Enable High | 50 | | 50 | | 50 | | ns |
| t_{WLWH} | t_{WP} | Write Enable Low to Write Enable High (Write Pulse) | 60 | | 60 | | 60 | | ns |
| t_{ELEH} | | Chip Enable Low to Chip Enable High (Write Pulse) | 70 | | 70 | | 70 | | ns |
| t_{WHDX} | t_{DH} | Write Enable High to Input Transition | 10 | | 10 | | 10 | | ns |
| t_{EHDX} | | Chip Enable High to Input Transition | 10 | | 10 | | 10 | | ns |
| t_{WHWH1} | | Duration of Program Operation | 9.5 | | 9.5 | | 9.5 | | μs |
| t_{EHEH1} | | Duration of Program Operation | 9.5 | | 9.5 | | 9.5 | | μs |
| t_{WHWH2} | | Duration of Erase Operation | 9.5 | | 9.5 | | 9.5 | | ms |
| t_{WHEH} | t_{CH} | Write Enable High to Chip Enable High | 0 | | 0 | | 0 | | ns |
| t_{EHWH} | | Chip Enable High to Write Enable High | 0 | | 0 | | 0 | | ns |
| t_{WHWL} | t_{WPH} | Write Enable High to Write Enable Low | 20 | | 20 | | 20 | | ns |
| t_{EHEL} | | Chip Enable High to Chip Enable Low | 20 | | 20 | | 20 | | ns |
| t_{WHGL} | | Write Enable High to Output Enable Low | 6 | | 6 | | 6 | | μs |
| t_{EHGL} | | Chip Enable High to Output Enable Low | 6 | | 6 | | 6 | | μs |
| t_{AVQV} | t_{ACC} | Address Valid to data Output | | 120 | | 150 | | 200 | ns |
| $t_{ELQX}^{(1)}$ | t_{LZ} | Chip Enable Low to Output Transition | 0 | | 0 | | 0 | | ns |
| t_{ELQV} | t_{CE} | Chip Enable Low to Output Valid | | 120 | | 150 | | 200 | ns |
| $t_{GLQX}^{(1)}$ | t_{OLZ} | Output Enable Low to Output Transition | 0 | | 0 | | 0 | | ns |
| t_{GLQV} | t_{OE} | Output Enable Low to Output Valid | | 50 | | 55 | | 60 | ns |
| $t_{EHQZ}^{(1)}$ | | Chip Enable High to Output Hi-Z | | 50 | | 55 | | 60 | ns |
| $t_{GHQZ}^{(1)}$ | t_{DF} | Output Enable High to Output Hi-Z | | 30 | | 35 | | 40 | ns |
| t_{AXQX} | t_{OH} | Address Transition to Output Transition | 0 | | 0 | | 0 | | ns |

Note: 1. Sampled only, not 100% tested.

Figure 8. Erase Set-up and Erase Verify Commands Waveforms, \bar{W} Controlled

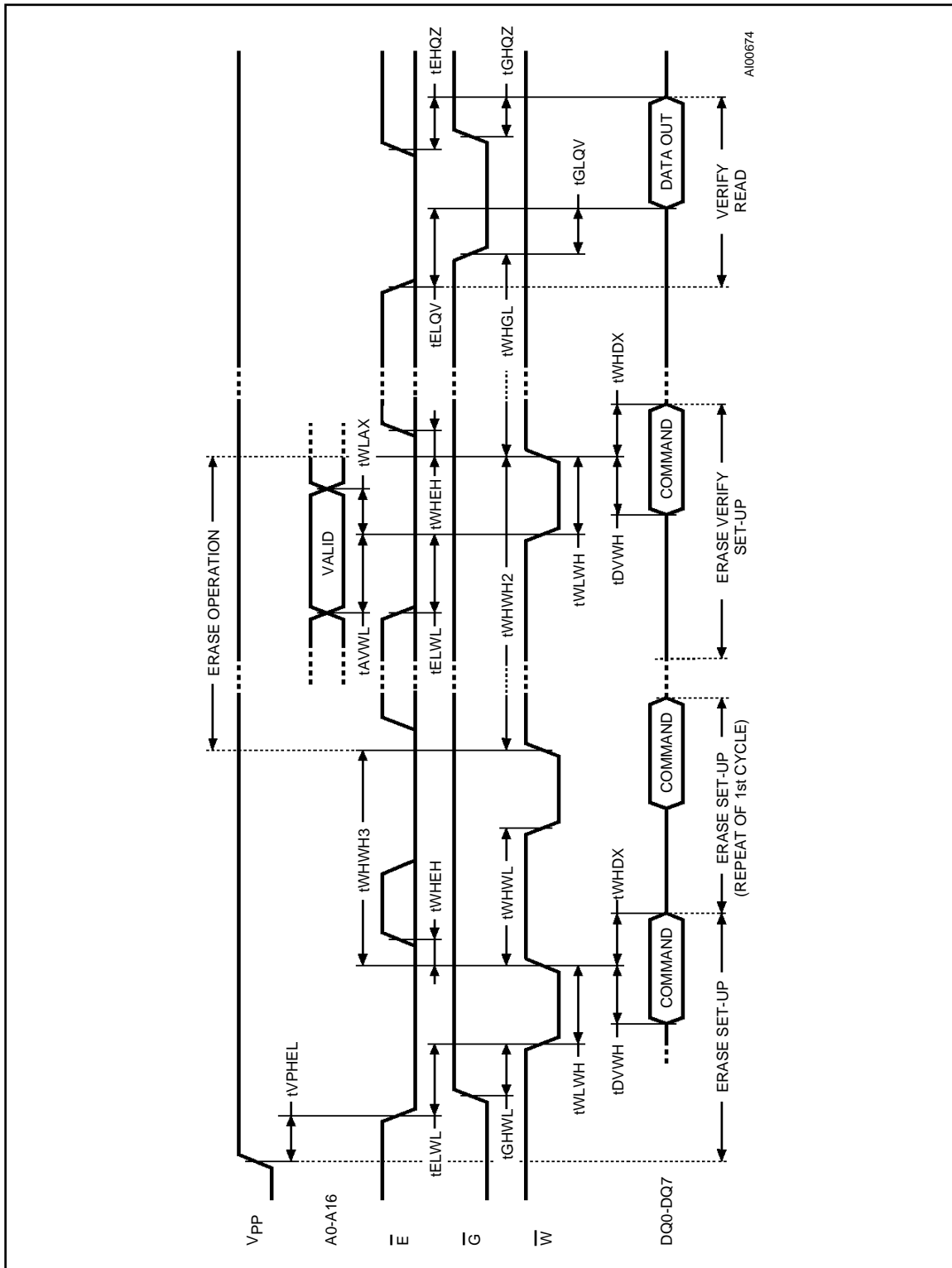


Figure 9. Erase Set-up and Erase Verify Commands Waveforms, \bar{E} Controlled

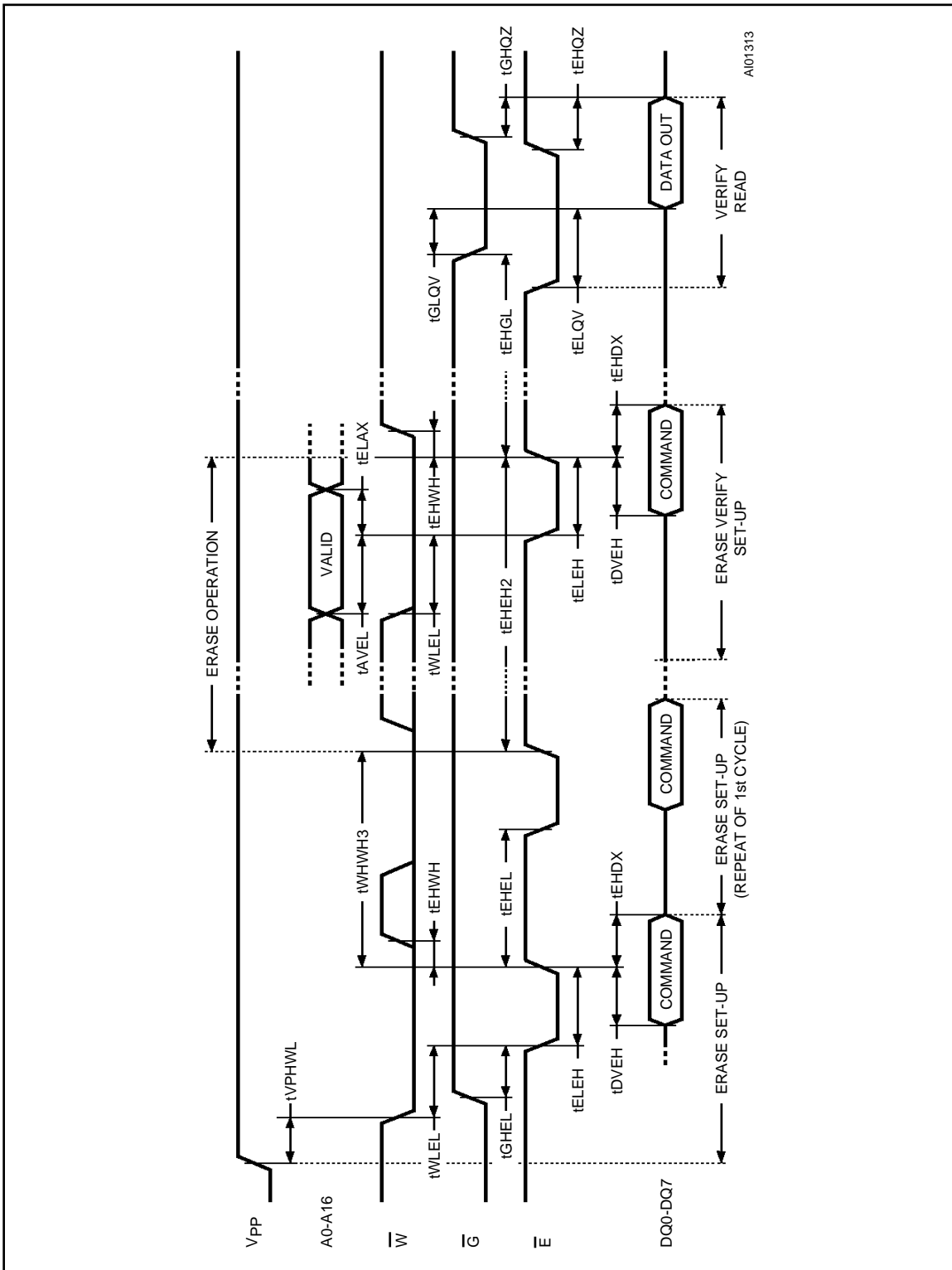


Figure 10. Program Set-up and Program Verify Commands Waveforms, \bar{W} Controlled

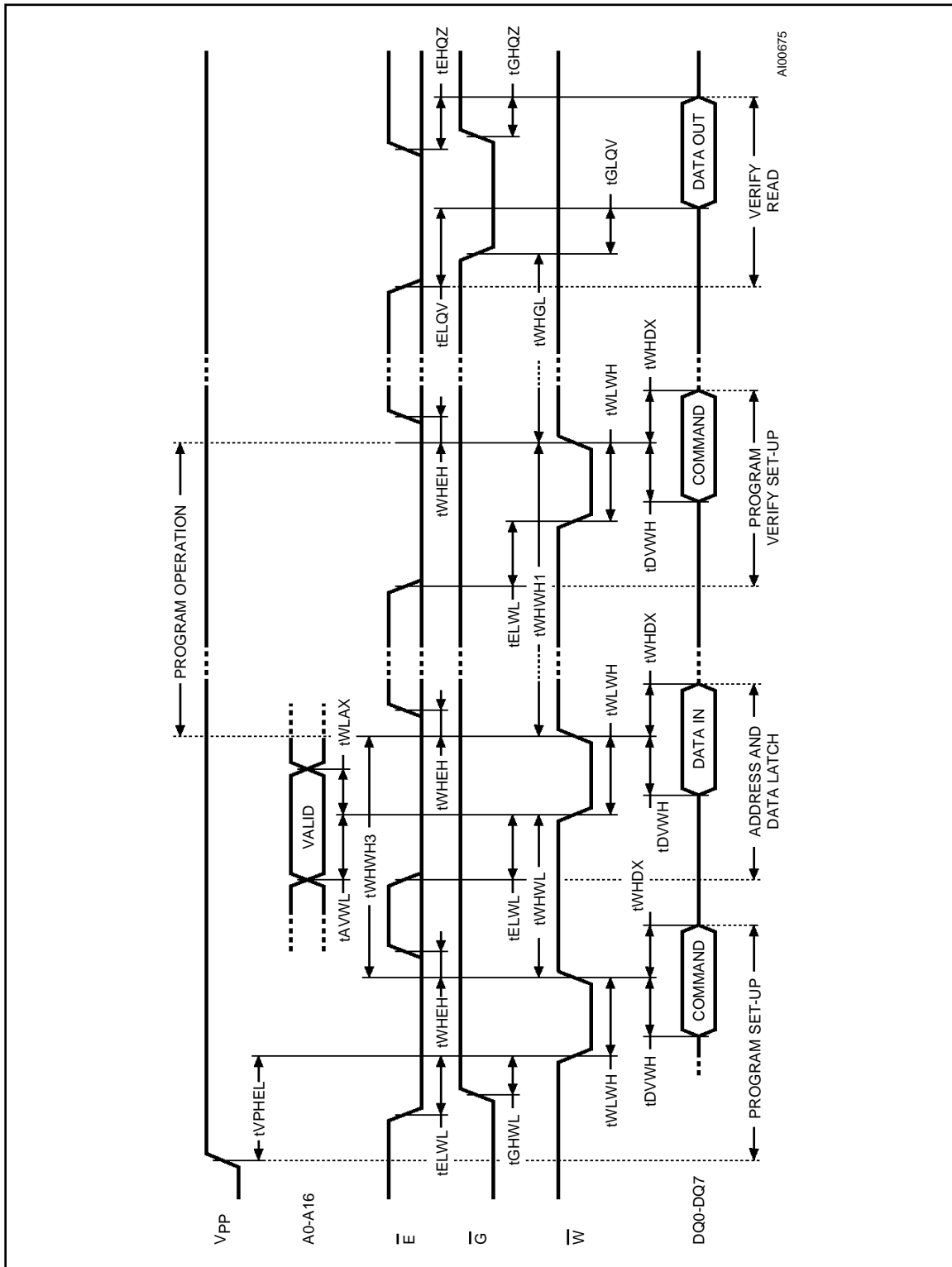
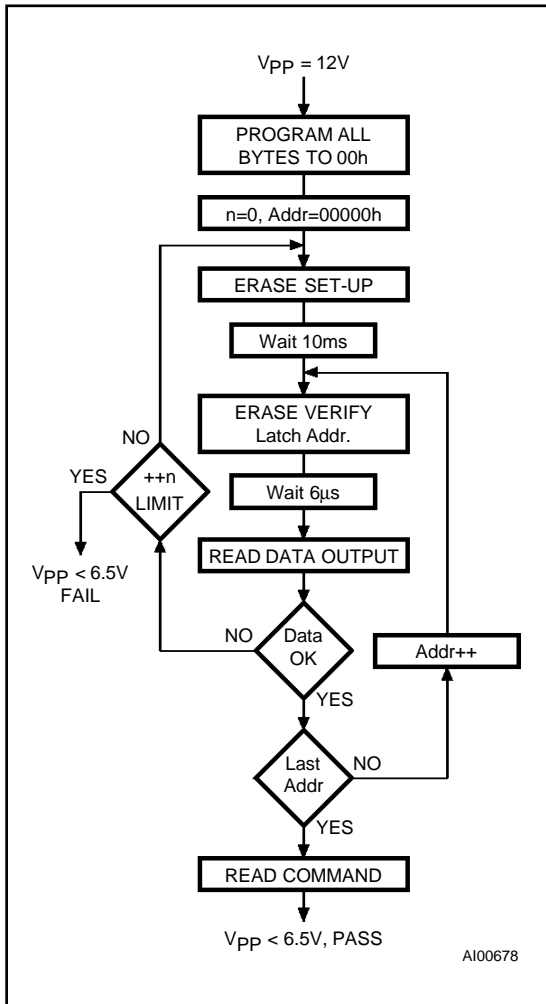


Figure 12. Erasing Flowchart

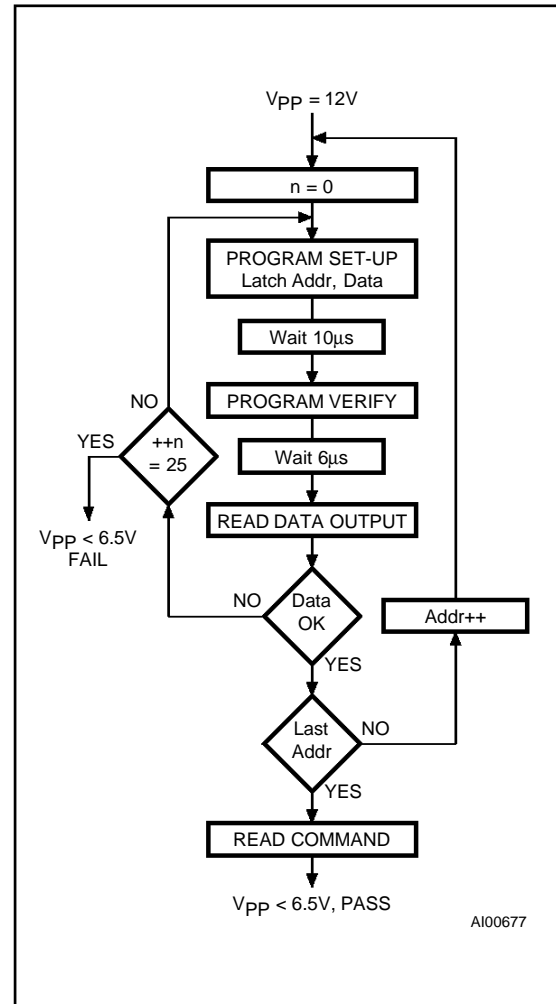


Limit: 1000 at grade 1; 6000 at grades 3 & 6.

PRESTO F ERASE ALGORITHM

The PRESTO F Erase Algorithm guarantees that the device will be erased in a reliable way. The algorithm first programs all bytes to 00h in order to ensure uniform erasure. The programming follows the PRESTO F Programming Algorithm. Erase is set-up by writing 20h to the command register, the erasure is started by repeating this write cycle. Erase Verify is set-up by writing A0h to the command register together with the address of the byte to be verified. The subsequent read cycle reads the data which is compared to FFh. Erase Verify begins at address 0000h and continues to the last address or until the comparison of the data to 0FFh fails. If this occurs, the address of the last byte checked is stored and a new Erase operation performed. Erase Verify then continues from the address of the stored location.

Figure 13. Programming Flowchart

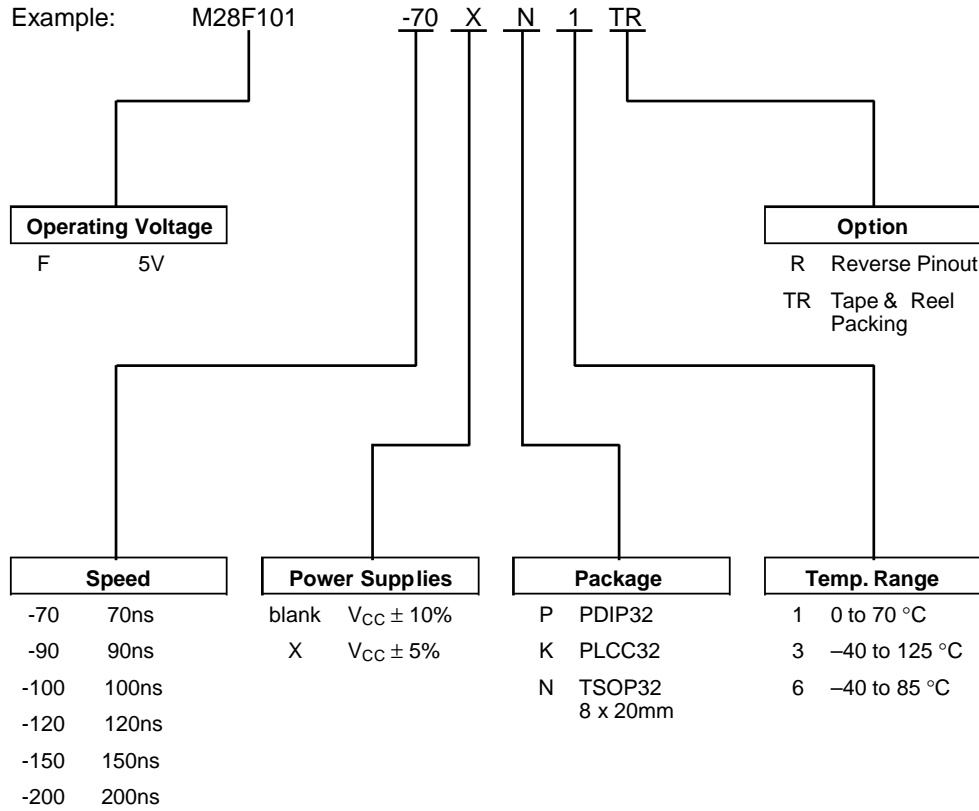


PRESTO F PROGRAM ALGORITHM

The PRESTO F Programming Algorithm applies a series of 10µs programming pulses to a byte until a correct verify occurs. Up to 25 programming operations are allowed for one byte. Program is set-up by writing 40h to the command register, the programming is started after the next write cycle which also latches the address and data to be programmed. Program Verify is set-up by writing C0h to the command register, followed by a read cycle and a compare of the data read to the data expected. During Program and Program Verify operations a MARGIN MODE circuit is activated to guarantee that the cell is programmed with a safety margin.

M28F101

ORDERING INFORMATION SCHEME



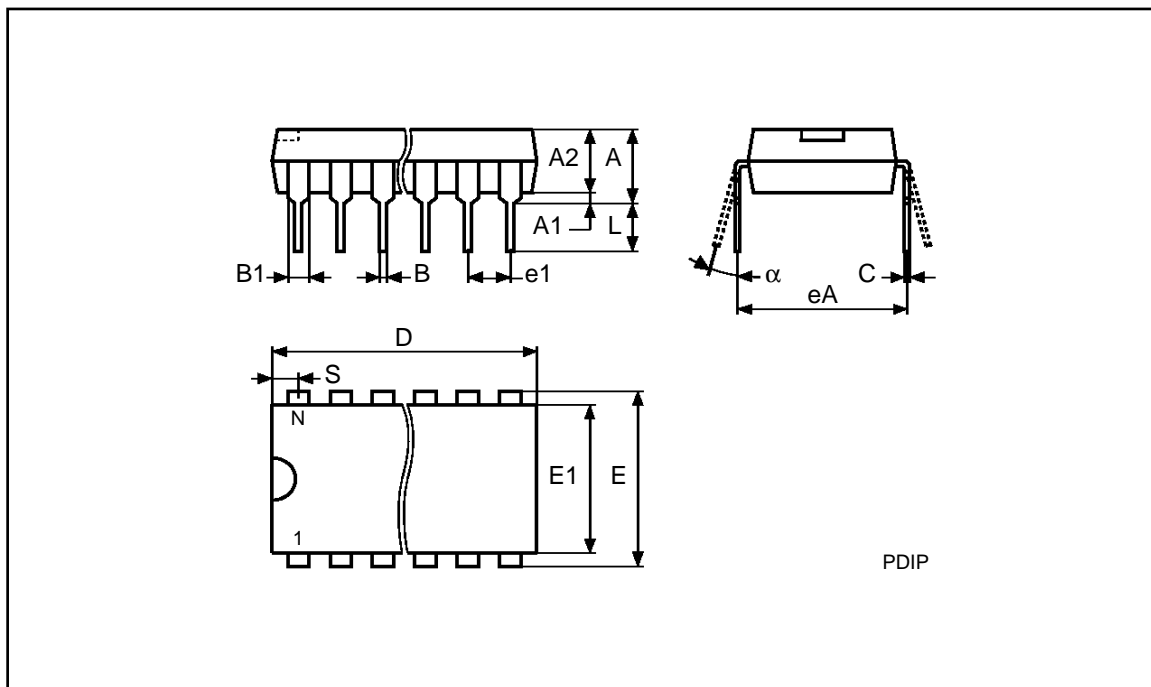
Devices are shipped from the factory with the memory content erased (to FFh).

For a list of available options (Speed, Package, etc...) or for further information on any aspect of this device, please contact the SGS-THOMSON Sales Office nearest to you.

PDIP32 - 32 pin Plastic DIP, 600 mils width

| Symb | mm | | | inches | | |
|----------|-------|-------|-------|--------|-------|-------|
| | Typ | Min | Max | Typ | Min | Max |
| A | | | 4.83 | | | 0.190 |
| A1 | | 0.38 | – | | 0.015 | – |
| A2 | – | – | – | – | – | – |
| B | | 0.41 | 0.51 | | 0.016 | 0.020 |
| B1 | | 1.14 | 1.40 | | 0.045 | 0.055 |
| C | | 0.20 | 0.30 | | 0.008 | 0.012 |
| D | | 41.78 | 42.04 | | 1.645 | 1.655 |
| E | | 15.24 | 15.88 | | 0.600 | 0.625 |
| E1 | | 13.46 | 13.97 | | 0.530 | 0.550 |
| e1 | 2.54 | – | – | 0.100 | – | – |
| eA | 15.24 | – | – | 0.600 | – | – |
| L | | 3.18 | 3.43 | | 0.125 | 0.135 |
| S | | 1.78 | 2.03 | | 0.070 | 0.080 |
| α | | 0° | 15° | | 0° | 15° |
| N | | 32 | | | 32 | |

PDIP32



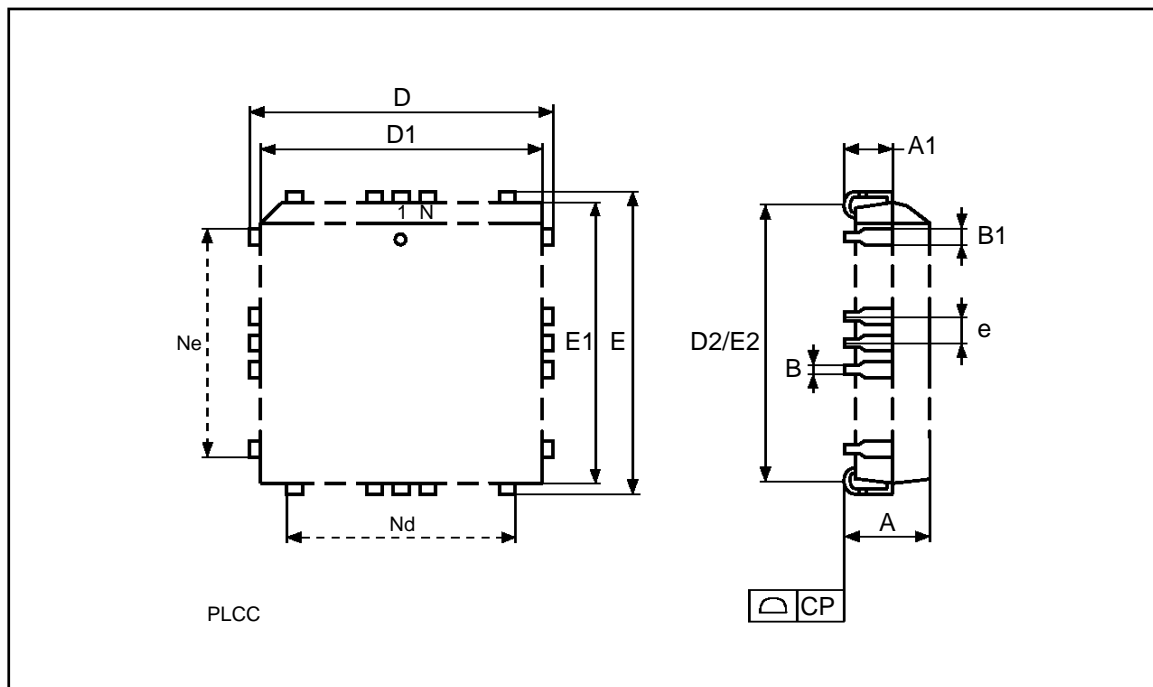
Drawing is not to scale.



PLCC32 - 32 lead Plastic Leaded Chip Carrier, rectangular

| Symb | mm | | | inches | | |
|------|------|-------|-------|--------|-------|-------|
| | Typ | Min | Max | Typ | Min | Max |
| A | | 2.54 | 3.56 | | 0.100 | 0.140 |
| A1 | | 1.52 | 2.41 | | 0.060 | 0.095 |
| B | | 0.33 | 0.53 | | 0.013 | 0.021 |
| B1 | | 0.66 | 0.81 | | 0.026 | 0.032 |
| D | | 12.32 | 12.57 | | 0.485 | 0.495 |
| D1 | | 11.35 | 11.56 | | 0.447 | 0.455 |
| D2 | | 9.91 | 10.92 | | 0.390 | 0.430 |
| E | | 14.86 | 15.11 | | 0.585 | 0.595 |
| E1 | | 13.89 | 14.10 | | 0.547 | 0.555 |
| E2 | | 12.45 | 13.46 | | 0.490 | 0.530 |
| e | 1.27 | – | – | 0.050 | – | – |
| N | | 32 | | | 32 | |
| Nd | | 7 | | | 7 | |
| Ne | | 9 | | | 9 | |
| CP | | | 0.10 | | | 0.004 |

PLCC32

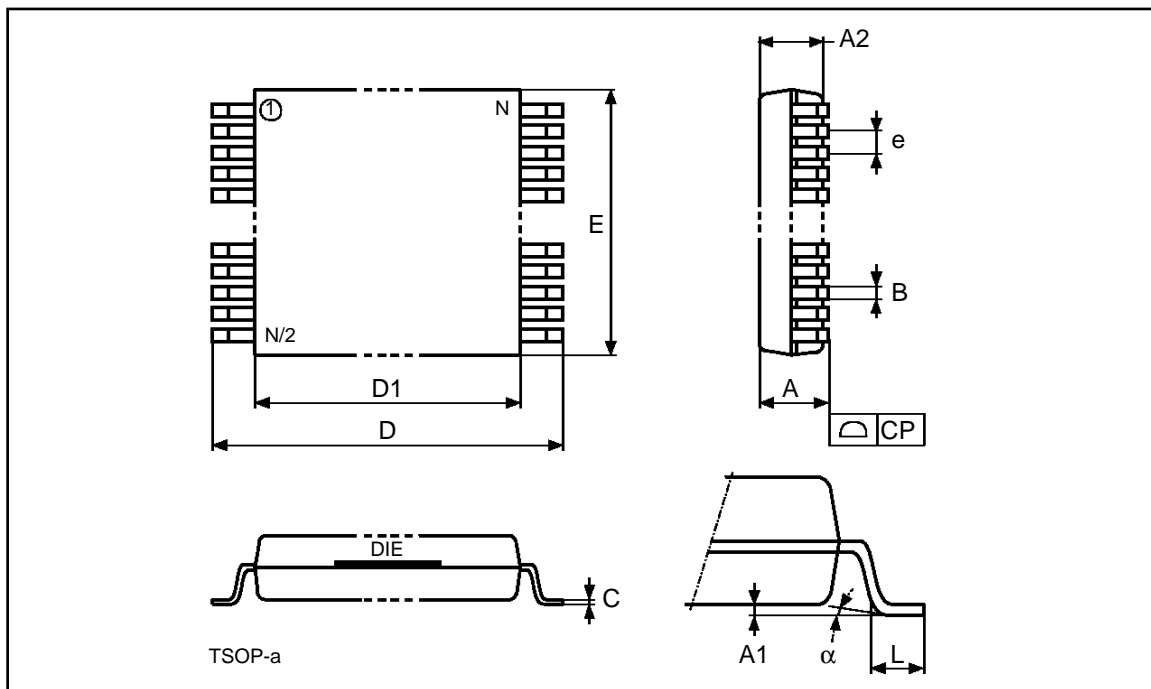


Drawing is not to scale.

TSOP32 Normal Pinout - 32 lead Plastic Thin Small Outline, 8 x 20mm

| Symb | mm | | | inches | | |
|----------|------|-------|-------|--------|-------|-------|
| | Typ | Min | Max | Typ | Min | Max |
| A | | 1.04 | 1.24 | | 0.041 | 0.049 |
| A1 | | 0.05 | 0.20 | | 0.002 | 0.008 |
| A2 | | 0.95 | 1.06 | | 0.037 | 0.042 |
| B | | 0.15 | 0.27 | | 0.006 | 0.011 |
| C | | 0.10 | 0.21 | | 0.004 | 0.008 |
| D | | 19.90 | 20.12 | | 0.783 | 0.792 |
| D1 | | 18.24 | 18.49 | | 0.718 | 0.728 |
| E | | 7.90 | 8.10 | | 0.311 | 0.319 |
| e | 0.50 | – | – | 0.020 | – | – |
| L | | 0.30 | 0.70 | | 0.012 | 0.028 |
| α | | 0° | 5° | | 0° | 5° |
| N | | 32 | | | 32 | |
| CP | | | 0.10 | | | 0.004 |

TSOP32

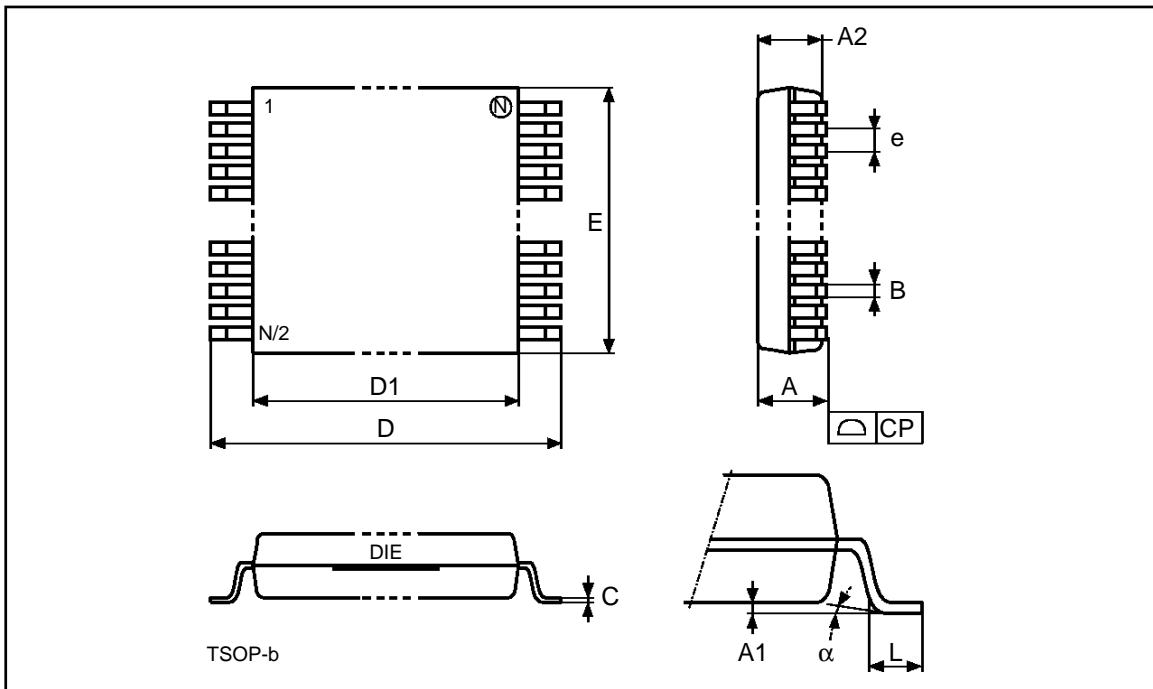


Drawing is not to scale.

TSOP32 Reverse Pinout - 32 lead Plastic Thin Small Outline, 8 x 20mm

| Symb | mm | | | inches | | |
|----------|------|-------|-------|--------|-------|-------|
| | Typ | Min | Max | Typ | Min | Max |
| A | | 1.04 | 1.24 | | 0.041 | 0.049 |
| A1 | | 0.05 | 0.20 | | 0.002 | 0.008 |
| A2 | | 0.95 | 1.06 | | 0.037 | 0.042 |
| B | | 0.15 | 0.27 | | 0.006 | 0.011 |
| C | | 0.10 | 0.21 | | 0.004 | 0.008 |
| D | | 19.90 | 20.12 | | 0.783 | 0.792 |
| D1 | | 18.24 | 18.49 | | 0.718 | 0.728 |
| E | | 7.90 | 8.10 | | 0.311 | 0.319 |
| e | 0.50 | - | - | 0.020 | - | - |
| L | | 0.30 | 0.70 | | 0.012 | 0.028 |
| α | | 0° | 5° | | 0° | 5° |
| N | | 32 | | | 32 | |
| CP | | | 0.10 | | | 0.004 |

TSOP32



Drawing is not to scale.

Information furnished is believed to be accurate and reliable. However, SGS-THOMSON Microelectronics assumes no responsibility for the consequences of use of such information nor for any infringement of patents or other rights of third parties which may result from its use. No license is granted by implication or otherwise under any patent or patent rights of SGS-THOMSON Microelectronics. Specifications mentioned in this publication are subject to change without notice. This publication supersedes and replaces all information previously supplied. SGS-THOMSON Microelectronics products are not authorized for use as critical components in life support devices or systems without express written approval of SGS-THOMSON Microelectronics.

© 1997 SGS-THOMSON Microelectronics - All Rights Reserved

SGS-THOMSON Microelectronics GROUP OF COMPANIES

Australia - Brazil - Canada - China - France - Germany - Hong Kong - Italy - Japan - Korea - Malaysia - Malta - Morocco - The Netherlands - Singapore - Spain - Sweden - Switzerland - Taiwan - Thailand - United Kingdom - U.S.A.

