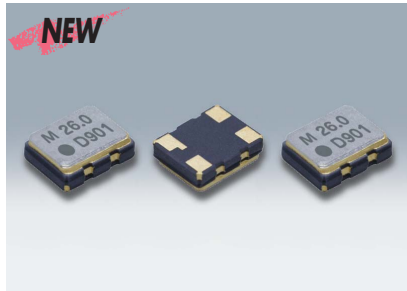


Ultra miniature SMD VC-TCXO / TCXO

DSA221SJ/DSB221SJ

for Industrial Radio system



Actual size

Features

- Supply voltage up to +2.3~+3.6V
- CMOS Level Output
- Low phase noise
- Single package structure
- Prevention of moisture packing is unnecessary.
Moisture Sensitivity Level: LEVEL 1 (IPC/JEDEC J-STD-033)



Pb-Free



RoHS Compliant

Applications

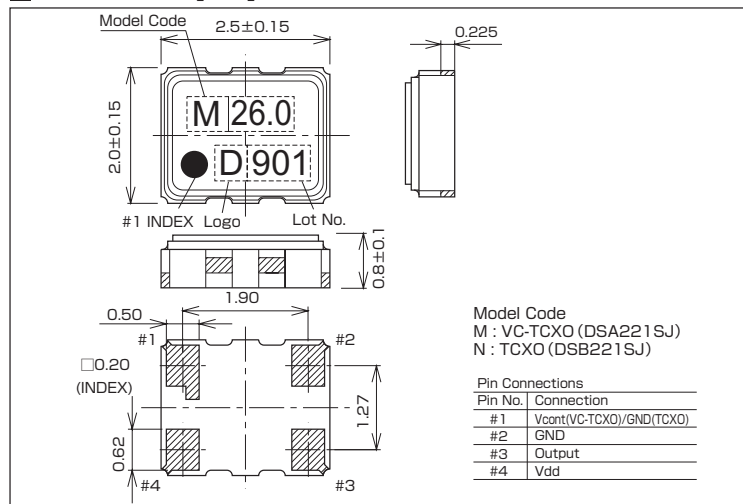
- Industrial radio communications

Standard Specification

Item	Type	VC-TCXO		TCXO	
		DSA221SJ		DSB221SJ	
Output Frequency Range		13~40MHz			
Standard Frequency		13/ 19.2/ 20/ 26/ 38.4/ 40MHz			
Supply Voltage (Vdd)		+2.6V / +2.8V / +3.0V / +3.3V			
Current Consumption		+3.0mA max. (f≤26MHz) / +6.0mA max. (f>26MHz)			
0 Level Output Voltage		Vdd×0.1V			
1 Level Output Voltage		Vdd×0.9V			
Rise and Fall Time		10ns max. (10%~90% Vdd Level)			
Output Load		15pF			
Frequency Stability Tolerance		±1.5×10 ⁻⁶ max. (After 2 reflows)			
vs. Temperature		±2.5×10 ⁻⁶ max./ -30 ~+85°C			
vs. Supply Voltage		±0.2×10 ⁻⁶ max. (Vdd±5%)			
vs. Aging		±1.0×10 ⁻⁶ max. /year			
Start up Time		2.0ms max.			
Frequency Control Control Sensitivity		±9×10 ⁻⁶ ±15×10 ⁻⁶ / Vcont=+1.5V±1.0V		-	
Response Slope		Positive		-	
Phase Noise		[f≤15MHz]	[15MHz<f≤26MHz]	[f>26MHz]	
Offset 100Hz		-115dBc/Hz	-110dBc/Hz	-105dBc/Hz	
Offset 1kHz		-135dBc/Hz	-130dBc/Hz	-125dBc/Hz	
Offset 10kHz		-145dBc/Hz	-140dBc/Hz	-135dBc/Hz	
Offset 100kHz		-145dBc/Hz	-145dBc/Hz	-145dBc/Hz	
Packing Unit		2000pcs./reel (φ 180)			

Consult our sales representative for other specifications.

Dimensions [mm]



Recommended Land Pattern [mm]

