



Endicott Research Group, Inc.

2601 Wayne St., Endicott, NY 13760
607-754-9187 Fax 607-754-9255
http://www.ergpower.com

DMA22514

Specifications and Applications Information

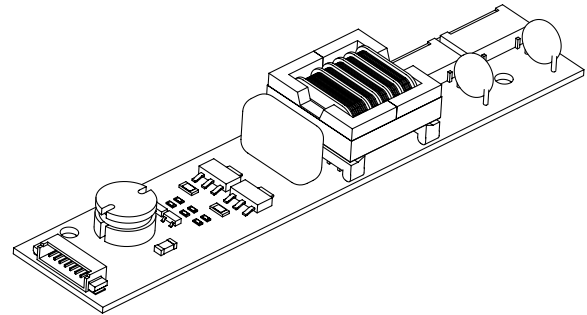
04/22/04

Preliminary

Two Tube
DC to AC Inverter

The ERG DMA22514 (DMA Series) DC to AC inverter features onboard connectors and can be easily dimmed using an external pulse-width modulated control signal. This unit is less than 13mm in height and the two mounting holes makes installation very straight forward.

Powered by a regulated 12 volt DC source the DMA22514 is specially designed to power the Sharp LQ121S1DG31 backlights.

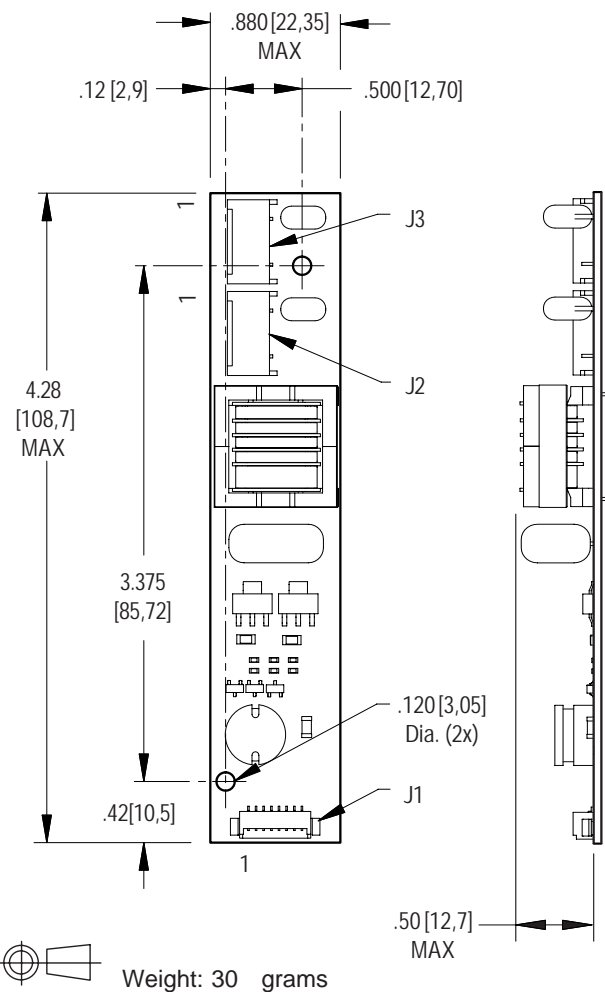


DMA Package

Product Features

- ✓ Small Package Size, less than 13mm in height.
- ✓ High Efficiency
- ✓ Made in U.S.A.

Package Configuration



Connectors

J1 - (Input)
MOLEX
532-61-0890

J2,J3 - (Outputs)
JST
SM02(8.0)B-BHS-1-TB

Pinouts

J1-1	V_{in}	J2-1	AC_{out}
J1-2	V_{in}	J2-2	AC_{com}
J1-3	GND		
J1-4	GND		
J1-5	Enable		
J1-6	N/C	J3-1	AC_{out}
J1-7	N/C	J3-2	AC_{com}
J1-8	N/C		



Absolute Maximum Ratings (Note 1)

Rating	Symbol	Value	Units
Input Voltage	V_{in}	-0.3 to +15	Vdc
Enable	V_{Enable}	-0.3 to +15	Vdc
Operating Temperature	T_a	0 to +85	°C
Storage Temperature	T_s	-40 to +85	°C

Recommended Operating Conditions

Rating	Symbol	Value	Units
Input Voltage	V_{in}	10.8 to 12.6	Vdc
Operating Temperature <small>(Note 2)</small>	T_a	0 to +50	°C

Electrical Characteristics

Unless otherwise noted $V_{in} = 12.00$ Volts dc and $T_a = 25^{\circ}\text{C}$

Characteristic	Symbol	Min	Typ	Max	Units
Input Current	I_{in}	-	.59	.70	A_{DC}
Input Ripple Current	I_{rip}	-	-	-	mA_{pk-pk}
Operating Frequency	F_o	32	37	42	KHz
Efficiency	h	-	90	-	%
Output Voltage (no load) <small>(Note 3)</small>	V_{start}	1500	-	-	V
Output Voltage (with lamp)	V_{out}	-	550	-	V
Output Current (per tube)	I_{out}	-	6.0	-	mArms
Enable (pin J1-5)					
Turn-Off Threshold	V_{thoff}	-	-	0.7	V
Turn-On Threshold	V_{thon}	2.0	-	-	V

(Note 1) Reliable and predictable operation of the device are not guaranteed with applied stresses at or beyond those listed in "Absolute Maximum Ratings". Operation at these limits may reduce device reliability and is therefore not recommended. Please refer to "Recommended Operating Conditions" for reliable operation of the device.

(Note 2) Operation above 50°C is possible if airflow is provided.

(Note 3) Provided data is not tested but guaranteed by design.

Input voltage specification modified for clarity on 4/2004.

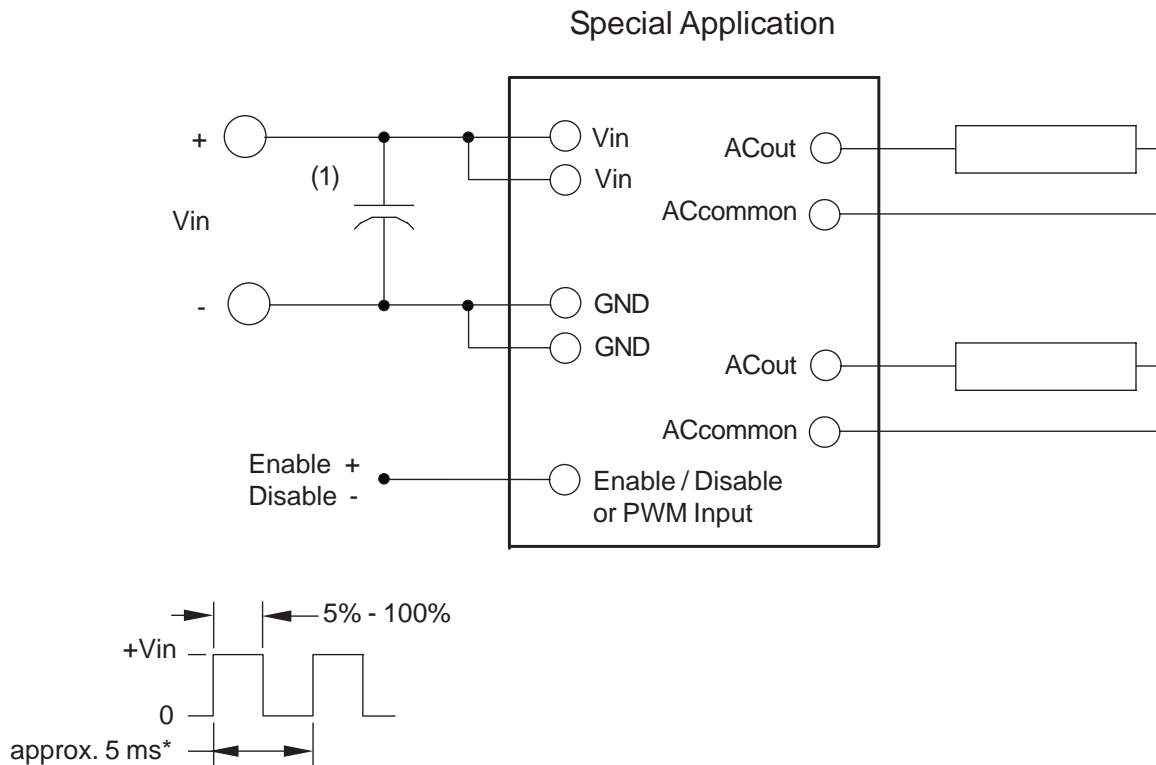


Pin Descriptions

- Vin** Input voltage to the inverter. Both pins should be connected for optimum reliability and efficiency .
- GND** Inverter ground. Both pins should be connected for optimum reliability and efficiency.
- Enable** A positive voltage will turn the inverter on. Grounding this pin will turn the inverter off.

Application information

This inverter is designed to power up to two cold cathode fluorescent tubes.
The enable input allows on /off control of the inverter.
An external PWM source applied to this enable input will provide CCFT dimming.



Note 1 Input by-pass capacitor (25uf - 100uf) may be required to reduce reflected ripple.



Endicott Research Group, Inc. (ERG) reserves the right to make changes in circuit design and/or specifications at any time without notice. Accordingly, the reader is cautioned to verify that data sheets are current before placing orders. Information furnished by ERG is believed to be accurate and reliable. However, no responsibility is assumed by ERG for its use.