



Endicott Research Group, Inc.

2601 Wayne St., Endicott, NY 13760
607-754-9187 Fax 607-754-9255
http://www.ergpower.com

DMA22734

Specifications and Applications Information

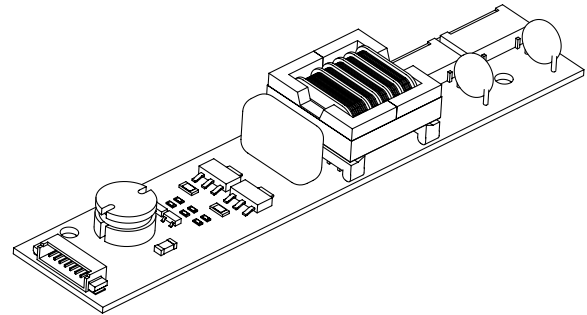
05/01/04

Preliminary

Two Tube
DC to AC Inverter

The ERG DMA22734 (DMA Series) DC to AC inverter features onboard connectors and can be easily dimmed using an external pulse-width modulated control signal. This unit is less than 13mm in height and the two mounting holes makes installation very straight forward.

Powered by a regulated +5 volt DC source the DMA22734 is specially designed to power the Sharp LQ104S1DG21 backlight.

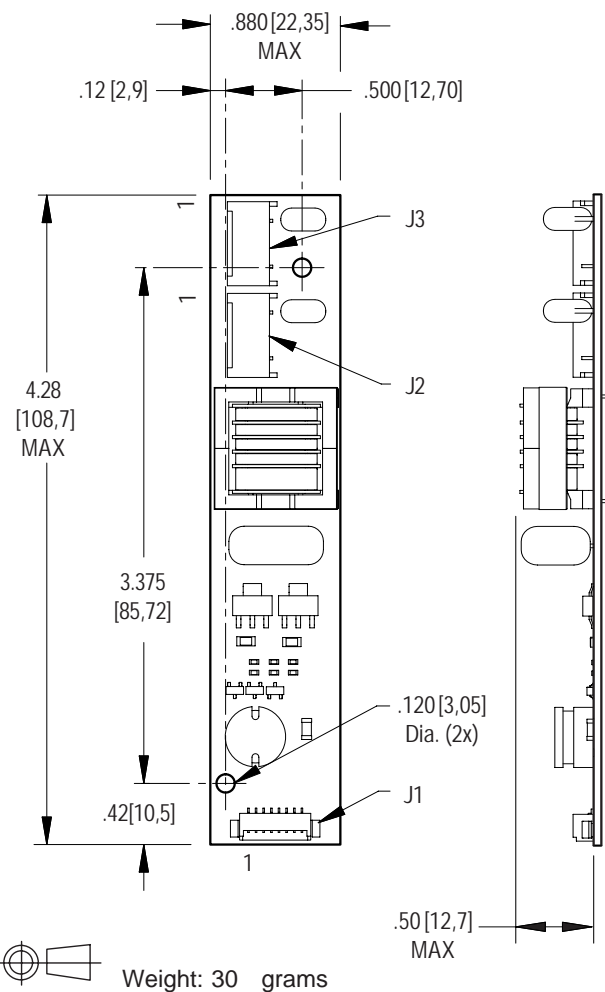


DMA Package

Product Features

- ✓ Small Package Size, less than 13mm in height.
- ✓ High Efficiency
- ✓ Made in U.S.A.

Package Configuration



PCB components are shown for reference only. Actual product may differ from that shown.

Connectors

J1 - (Input)
MOLEX
532-61-0890

J2,J3 - (Outputs)
JST
SM02(8.0)B-BHS-1-TB

Pinouts

J1-1	V_{in}	J2-1	AC_{out}
J1-2	V_{in}	J2-2	N/C
J1-3	GND	J2-3	AC_{com}
J1-4	GND		
J1-5	Enable	J3-1	AC_{out}
J1-6	N/C	J3-2	N/C
J1-7	N/C	J3-3	AC_{com}
J1-8	N/C		



Weight: 30 grams



Absolute Maximum Ratings (Note 1)

Rating	Symbol	Value	Units
Input Voltage	V_{in}	-0.3 to +5.5	Vdc
Enable	V_{Enable}	-0.3 to +5.5	Vdc
Operating Temperature	T_a	-0 to +85	°C
Storage Temperature	T_s	-40 to +85	°C

Recommended Operating Conditions

Rating	Symbol	Value	Units
Input Voltage	V_{in}	+4.50 to 5.25	Vdc
Operating Temperature <small>(Note 2)</small>	T_a	0 to +50	°C

Electrical Characteristics

Unless otherwise noted $V_{in} = 5.00$ Volts dc and $T_a = 25^\circ\text{C}$

Characteristic	Symbol	Min	Typ	Max	Units
Input Current	I_{in}	-	1.38	1.60	A_{DC}
Input Ripple Current	I_{rip}	-	-	-	mA_{pk-pk}
Operating Frequency	F_o	35	40	45	KHz
Efficiency	η	-	84	-	%
Output Voltage (no load) <small>(Note 3)</small>	V_{start}	1450	-	-	V
Output Voltage (with lamp)	V_{out}	-	467	-	V
Output Current (per tube)	I_{out}	-	6.2	-	mArms
Enable (pin J1-5)					
Turn-Off Threshold	V_{thoff}	-	-	0.7	V
Turn-On Threshold	V_{thon}	2.0	-	-	V

(Note 1) Reliable and predictable operation of the device are not guaranteed with applied stresses at or beyond those listed in "Absolute Maximum Ratings". Operation at these limits may reduce device reliability and is therefore not recommended. Please refer to "Recommended Operating Conditions" for reliable operation of the device.

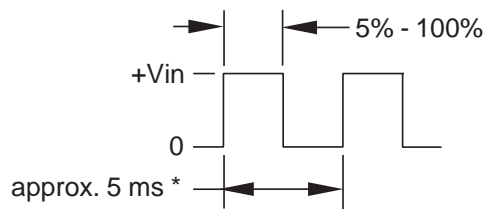
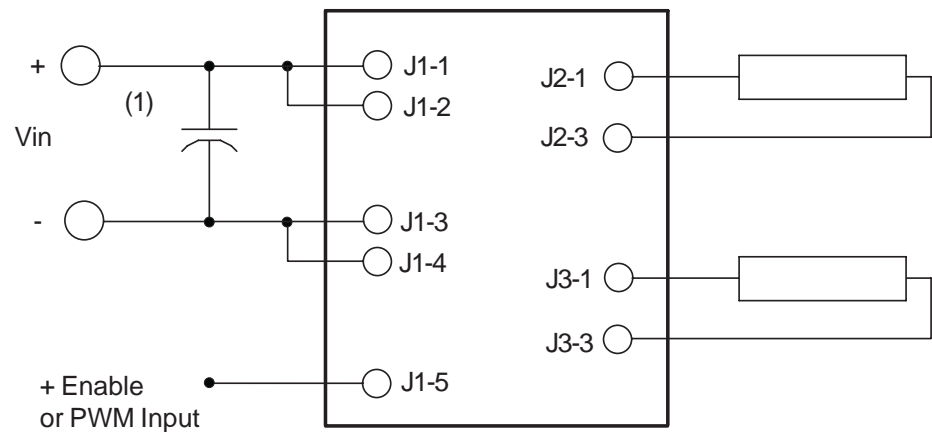
(Note 2) Operation above 50°C is possible if airflow is provided.

(Note 3) Provided data is not tested but guaranteed by design.

Input voltage specification modified for clarity on 5/2004.



Dimming Option



* should be selected to be compatible with LCD and display driver.

Note 1 Input by-pass capacitor (25uf - 100uf) may be required to reduce reflected ripple.