



Endicott Research Group, Inc.

2601 Wayne St., Endicott, NY 13760  
607-754-9187 Fax 607-754-9255  
http://www.ergpower.com

DMA22700F



## Specifications and Applications Information

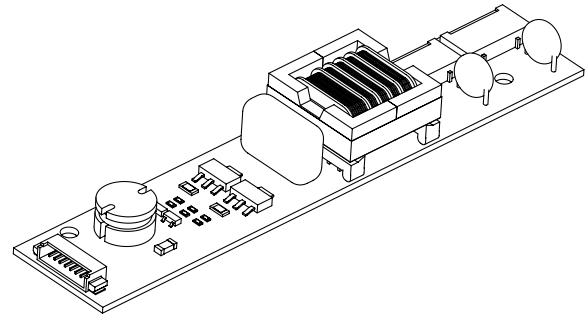
12/30/05

Preliminary

Two Lamp  
DC to AC Inverter

The ERG DMA22700F (DMA Series) DC to AC inverter features onboard connectors and can be easily dimmed using an external pulse-width modulated control signal. This unit is less than 13mm in height and the two mounting holes makes installation very straight forward.

Powered by a regulated 12 volt DC source the DMA22700F is specially designed to power the Sharp LQ104S1DG21 and LQ104V1DG51 backlights.

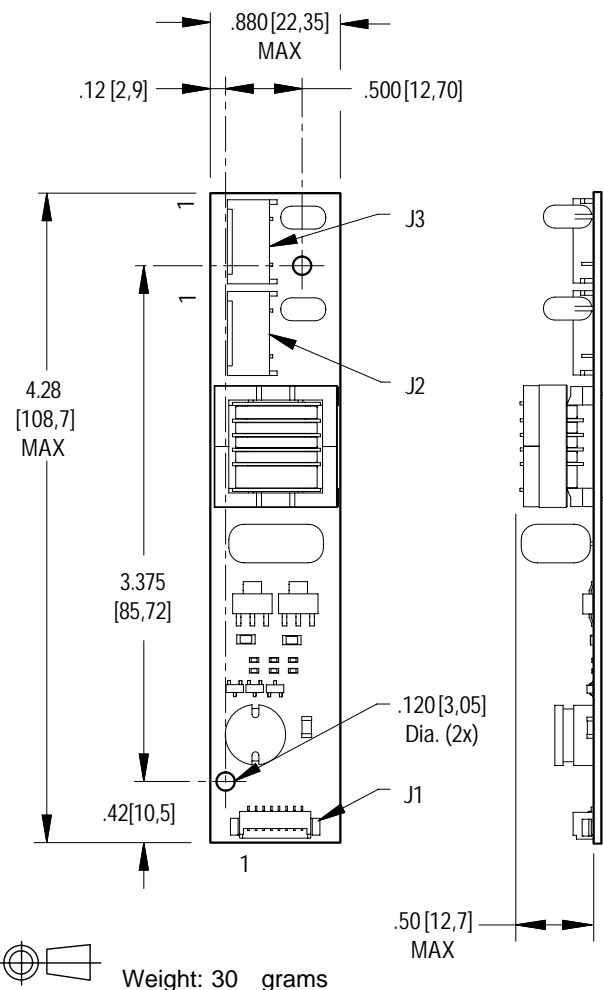


DMA Package

### Product Features

- ✓ Small Package Size, less than 13mm in height.
- ✓ High Efficiency
- ✓ Made in U.S.A.

### Package Configuration



PCB components are shown for reference only. Actual product may differ from that shown.

### Connectors

**J1 - (Input)**  
MOLEX  
53261-0871

**J2, J3 - (Outputs)**  
JST  
SM02(8.0)B-BHS-1-TB

### Pinouts

J1-1	$V_{in}$	J2-1	$AC_{out}$
J1-2	$V_{in}$	J2-2	$AC_{com}$
J1-3	GND		
J1-4	GND		
J1-5	Enable		
J1-6	N/C	J3-1	$AC_{out}$
J1-7	N/C	J3-2	$AC_{com}$
J1-8	N/C		

**Absolute Maximum Ratings** (Note 1)

Rating	Symbol	Value	Units
Input Voltage	$V_{in}$	-0.3 to +15	Vdc
Enable	$V_{Enable}$	-0.3 to +15	Vdc
Operating Temperature	$T_a$	0 to +85	°C
Storage Temperature	$T_s$	-40 to +85	°C

**Recommended Operating Conditions**

Rating	Symbol	Value	Units
Input Voltage	$V_{in}$	10.8 to 12.6	Vdc
Operating Temperature (Note 2)	$T_a$	0 to +50	°C

**Electrical Characteristics**

Unless otherwise noted  $V_{in} = 12.00$  Volts dc and  $T_a = 25^\circ\text{C}$

Characteristic	Symbol	Min	Typ	Max	Units
Input Current (Note 4)	$I_{in}$	-	.57	.66	A <sub>DC</sub>
Input Ripple Current	$I_{rip}$	-	-	-	mA <sub>pk-pk</sub>
Operating Frequency	$F_o$	39	44	49	KHz
Efficiency	<b>h</b>	-	82	-	%
Output Voltage (no load) (Note 3)	$V_{start}$	1450	-	-	V
Output Voltage (with lamp)	$V_{out}$	-	467	-	V
Output Current (per lamp)	$I_{out}$	-	6.0	-	mArms
<b>Enable (pin J1-5)</b>					
Turn-Off Threshold	$V_{thoff}$	-	-	0.7	V
Turn-On Threshold	$V_{thon}$	2.0	-	-	V

After lamp has been allowed to warm-up for 5 minutes.

Specifications subject to change without notice.

**(Note 1)** Reliable and predictable operation of the device are not guaranteed with applied stresses at or beyond those listed in "Absolute Maximum Ratings". Operation at these limits may reduce device reliability and is therefore not recommended. Please refer to "Recommended Operating Conditions" for reliable operation of the device.

**(Note 2)** Operation above 50°C is possible if airflow is provided.

**(Note 3)** Provided data is not tested but guaranteed by design.

**(Note 4)** Input current in excess of maximum may indicate a load/inverter mismatch condition, which can result in reduced reliability. Please contact ERG technical support.

**Application Notes:**

- 1) The minimum distance from high voltage areas of the inverter to any conductive material should be .12 inches per kilovolt of starting voltage.
- 2) Mounting hardware should be non-conductive.
- 3) Open framed inverters should not be used in applications at altitudes over 10,000 feet.
- 4) Contact ERG for possible exceptions.



## Pin Descriptions

**Vin** Input voltage to the inverter. Both pins should be connected for optimum reliability and efficiency .

**GND** Inverter ground. Both pins should be connected for optimum reliability and efficiency.

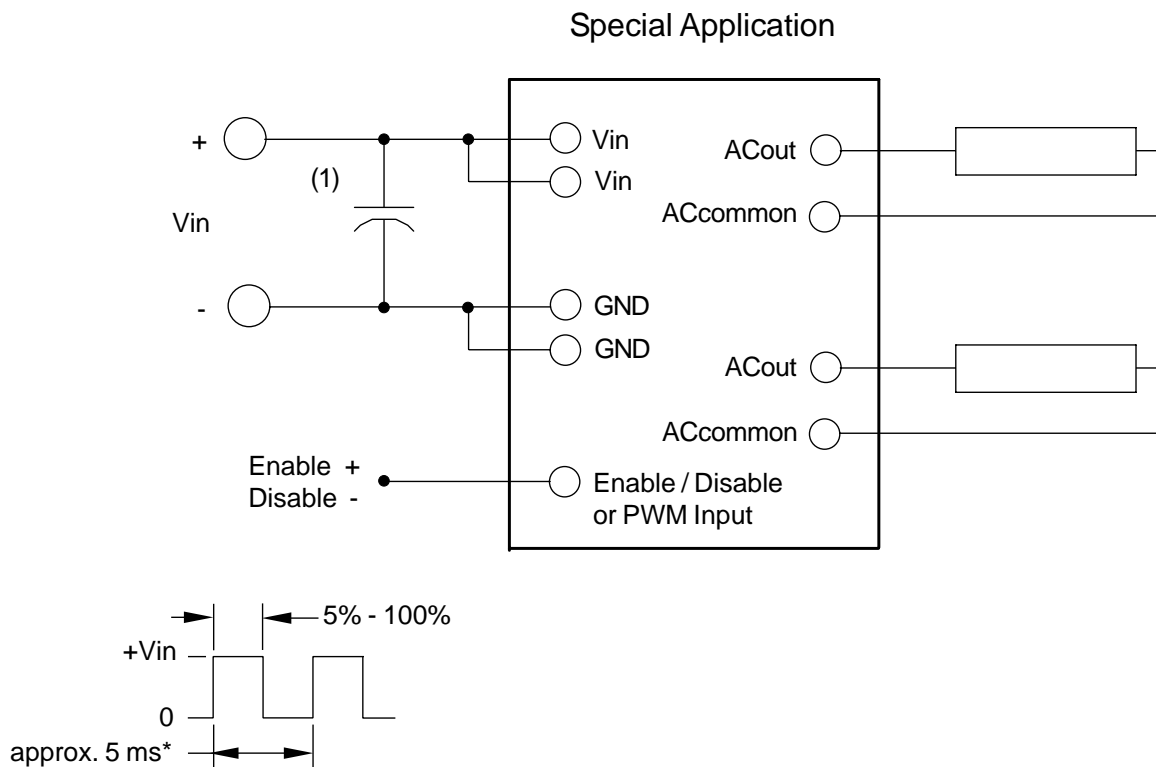
**Enable** A positive voltage will turn the inverter on. Grounding this pin will turn the inverter off.

## Application information

This inverter is designed to power up to two cold cathode fluorescent lamps.

The enable input allows on /off control of the inverter.

An external PWM source applied to this enable input will provide CCFL dimming.



Note 1 - Low ESR type input by-pass capacitor (22 uf - 100 uf) may be required to reduce reflected ripple.



Endicott Research Group, Inc. (ERG) reserves the right to make changes in circuit design and/or specifications at any time without notice. Accordingly, the reader is cautioned to verify that data sheets are current before placing orders. Information furnished by ERG is believed to be accurate and reliable. However, no responsibility is assumed by ERG for its use.