

Features

- Monolithic Construction
- Low Insertion Loss (< 0.5 dB)
- Good Port to Port Isolation (> 20 dB)
- Low Amplitude (0.2 dB) and Phase Imbalance (1°).
- Output Port Isolation ~30 dB
- SOT-26 Low Cost Miniature Plastic Package
- RoHS Compliant

Description and Applications

M/A-COM's MAPD-000900-12920T is a 50 Ω Characteristic Impedance, Monolithic Passive Integrated Circuit designed to provide a 0 degree phase shift during an RF power split. The die uses M/A-COM's unique glass process to realize low loss and high Q passive elements while retaining the advantages of overall size and exceptional reproducibility.

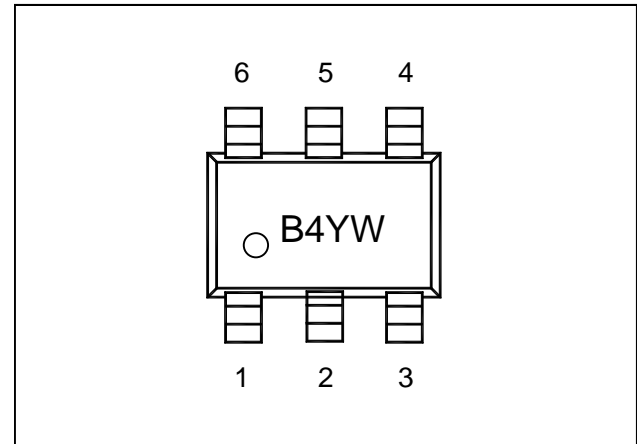
These power splitters/combiners are well suited for use in 50 Ω Rx/Tx system applications particularly where small size and parametric repeatability are essential. Typical applications include usage within RF systems where synthesizer sources are used to drive separate receiver and transmitter sections.

Absolute Maximum Ratings¹

Parameter	Maximum Ratings
Operating Temperature	-40 °C to +85 °C
Storage Temperature	-65 °C to +150 °C
RF C.W. Incident Power	+30 dBm C.W.

1. Exceeding these limits may cause permanent damage.

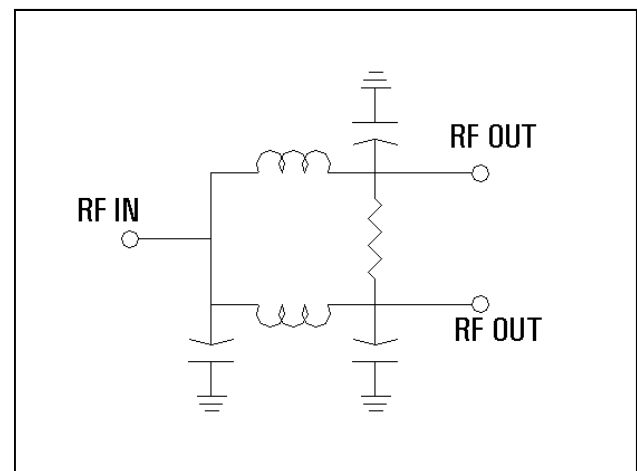
SOT-26 Package Outline (Topview)



Pin Configuration

PIN	Function	PIN	Function
1	RF Output	4	N/C
2	GND	5	RF Input
3	RF Output	6	N/C

Schematic



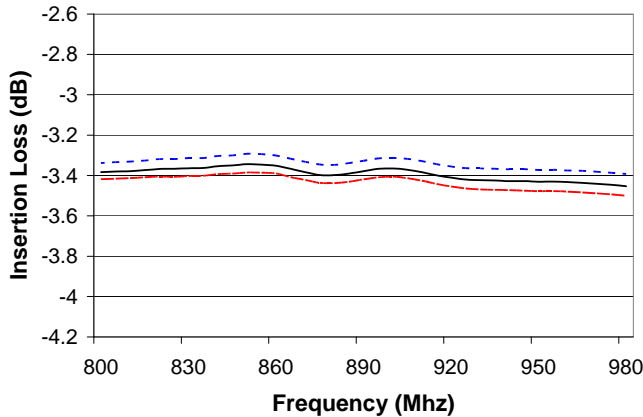
Electrical Specifications @ +25 °C

Parameter	Frequency Range	Units	Min.	Typ.	Max.
Insertion Loss	900 MHz 800-980 MHz	dB		0.3 0.3	0.5 0.6
Isolation	900 MHz 800-980 MHz	dB	28 20	30.0 27.0	
Input Return Loss	900 MHz 800-980 MHz	dB	19 16	21.0 21.0	
Output Return Loss	900 MHz 800-980 MHz	dB	26 21	28.0 28.0	
Amplitude Balance	900 MHz 800-980 MHz	dB		0.05 0.05	0.2 0.2
Phase Balance	900 MHz 800-980 MHz	deg		0.1 0.3	0.5 1.0

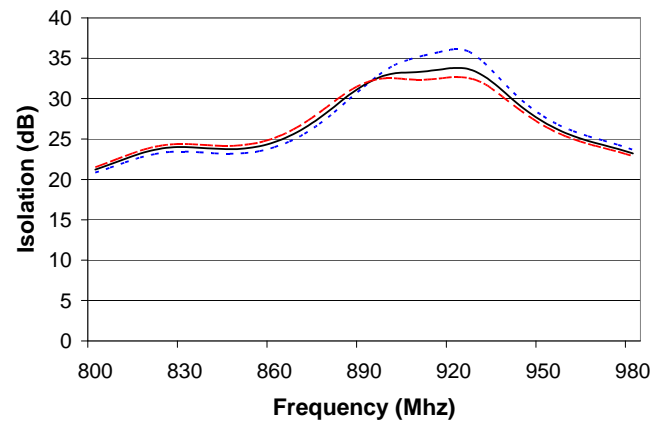
Typical Performance Curves

Temperature Legend: (- - - - - -40°C, — 25°C, - - - - - 85°C)

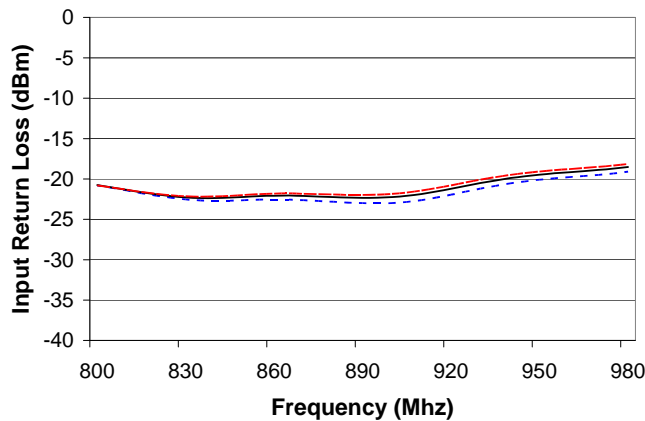
RF Input to RF Output Insertion Loss



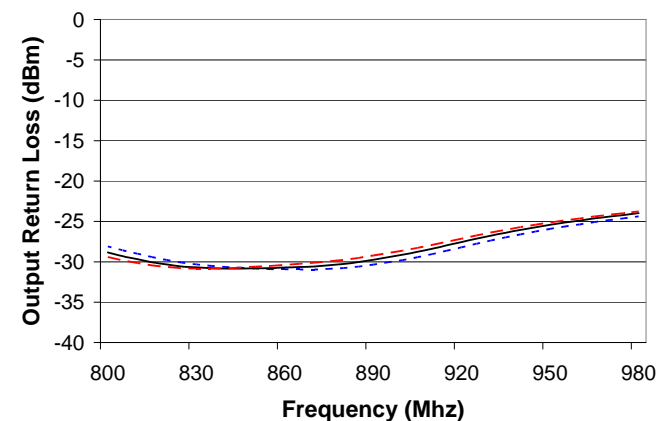
Output Port to Port Isolation



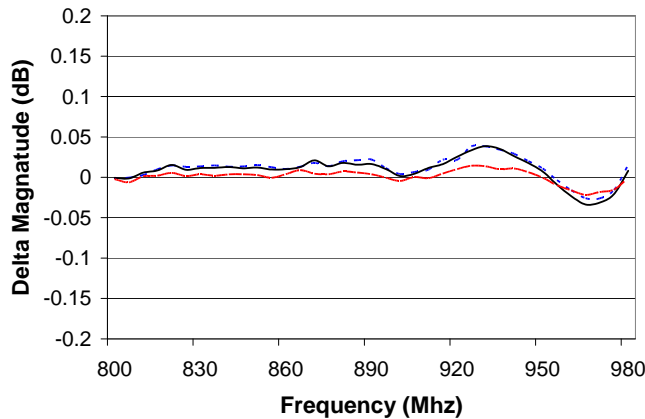
Input Return Loss



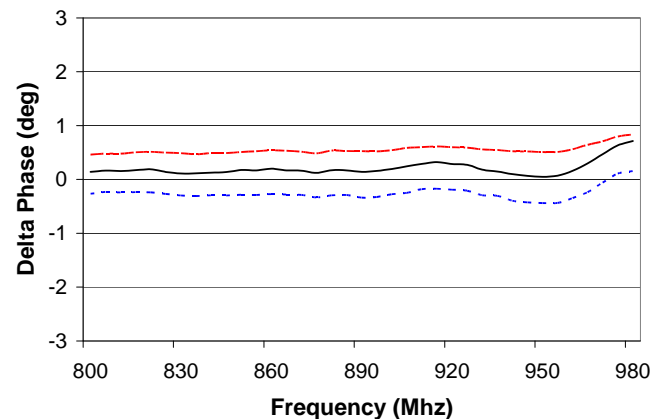
Output Return Loss



Delta Magnitude



Delta Phase



3

ADVANCED: Data Sheets contain information regarding a product M/A-COM Technology Solutions is considering for development. Performance is based on target specifications, simulated results, and/or prototype measurements. Commitment to develop is not guaranteed.

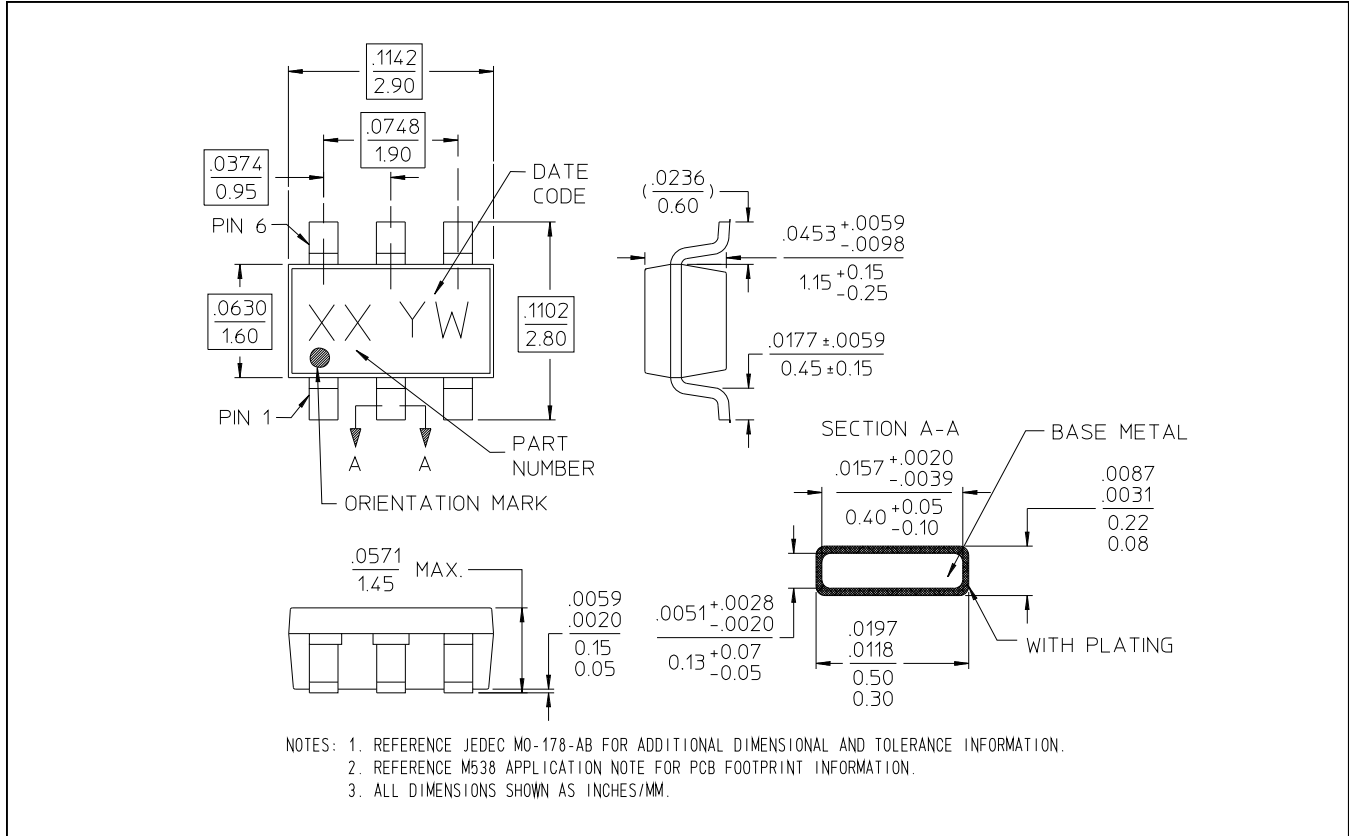
PRELIMINARY: Data Sheets contain information regarding a product M/A-COM Technology Solutions has under development. Performance is based on engineering tests. Specifications are typical. Mechanical outline has been fixed. Engineering samples and/or test data may be available. Commitment to produce in volume is not guaranteed.

- **North America** Tel: 800.366.2266 / Fax: 978.366.2266
- **Europe** Tel: 44.1908.574.200 / Fax: 44.1908.574.300
- **Asia/Pacific** Tel: 81.44.844.8296 / Fax: 81.44.844.8298

Visit www.macomtech.com for additional data sheets and product information.

M/A-COM Technology Solutions Inc. and its affiliates reserve the right to make changes to the product(s) or information contained herein without notice.

Case Style - SOT-26



Ordering Information

Part Number	Package
MAPD-000900-12920T	Tape and Reel