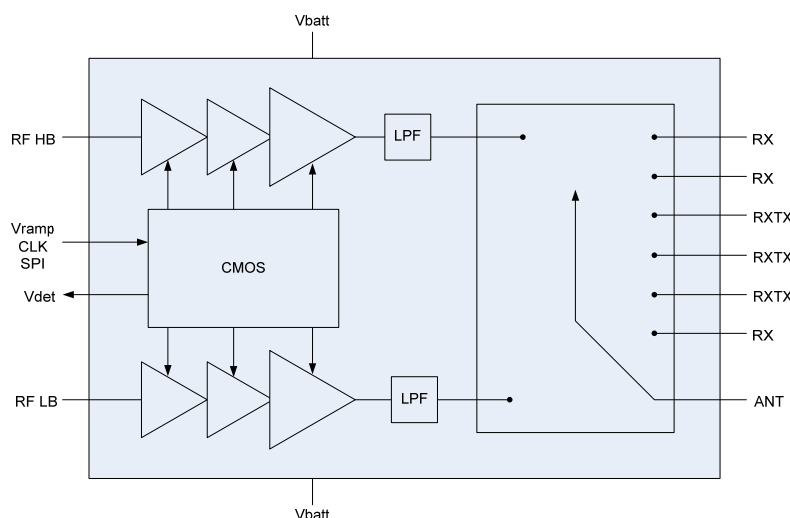


TRP-Enabled Quad-Band WEDGE Transmit Module

Functional Block Diagram



Product Description

This advanced quad-band multimode GSM / WEDGE Transmit Module with **integrated multi-mode switch** is designed for highly integrated next generation 3G and EDGE mobile handset applications and provides full RF transmit and multimode Tx/Rx-switch functionality in a size of only 52.5 mm². TQM6M9008 has been designed for stringent linearity requirements in next generation EDGE and 3G applications while maintaining high GSM / EDGE efficiency and receive sensitivity.

The transmit module supports full quad band GMSK / 8PSK transmit operation while providing Tx/Rx switch functionality with an integrated SP8T switch including three high linearity ports for 3G multi band operations.

Stringent linearity requirements are fulfilled with an integrated linear power detector with voltage output for closed loop APC operation in the overall phone system. By maintaining this linearity into a mismatch at the antenna port of the transmit module, this design is meeting so-called Transmitted Radiated Power (TRP) target specifications set by mobile phone network providers.

The CMOS controller provides full power amplifier and switch control and interfaces with the transceiver/ baseband unit through a Serial Programmable Interface.

Features

Highly Integrated GMSK / 8PSK WEDGE Transmit Module (PA & Switch).

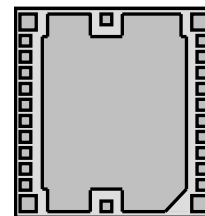
- Integrated SP8T switch with 3 high linearity ports for WCDMA.
- Integrated linear power detector with voltage output for closed loop APC operation.
- Fully aligned to market accepted 3G chipset.
- Meets stringent Transmitted Radiated Power specification.
- Serial Programmable Interface.
- Up to 75% duty cycle to support multi slot class 45 (6Tx /1Rx).
- 50 ohm input and output port impedance.

Applications

- 3G handset and modem applications with various EDGE & WCDMA band combinations.

Package Style

- LGA Package
- 7.0 x 7.5 x 1.1 mm³
 - 26 pins
 - 1 Central Ground Plane



Advance Data Sheet: Subject to change without notice

For additional information and latest specifications, see our website: www.triquint.com

