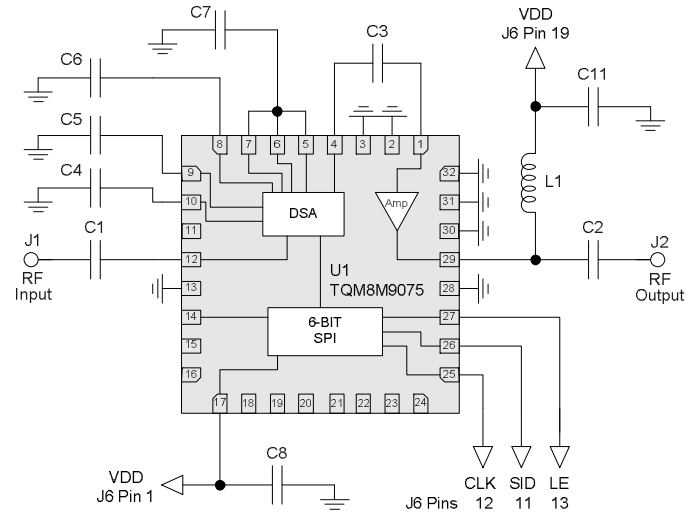
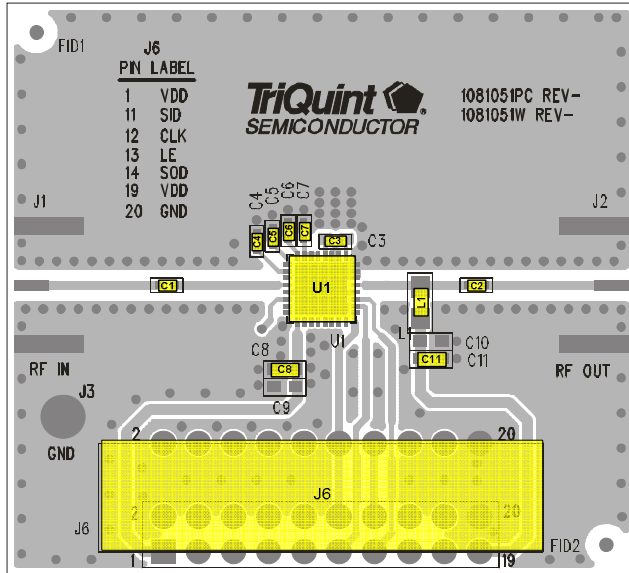


TQM8M9075

0.05-4 GHz Digital Variable Gain Amplifier

Reference Design 300-4000 MHz



Notes:

1. See PC Board Layout on page 5 for more information.
2. C4, C5, C6 and C7 may be removed for operation above 700 MHz.

Bill of Material

Ref Des	Value	Description	Manufacturer	Part Number
U1	n/a	Digital Variable Gain Amp	TriQuint	TQM8M9075
L1	68 nH	Inductor, 0603	Coilcraft	0603CS-47NXJLW
C1, C2, C3	68 pF	Capacitor, 0402	various	
C4, C5, C6, C7	330 pF	Capacitor, 0402	various	
C8	1000 pF	Capacitor, 0603	various	
C11	0.01 uF	Capacitor, 0603	various	