

STS301 Socket Series



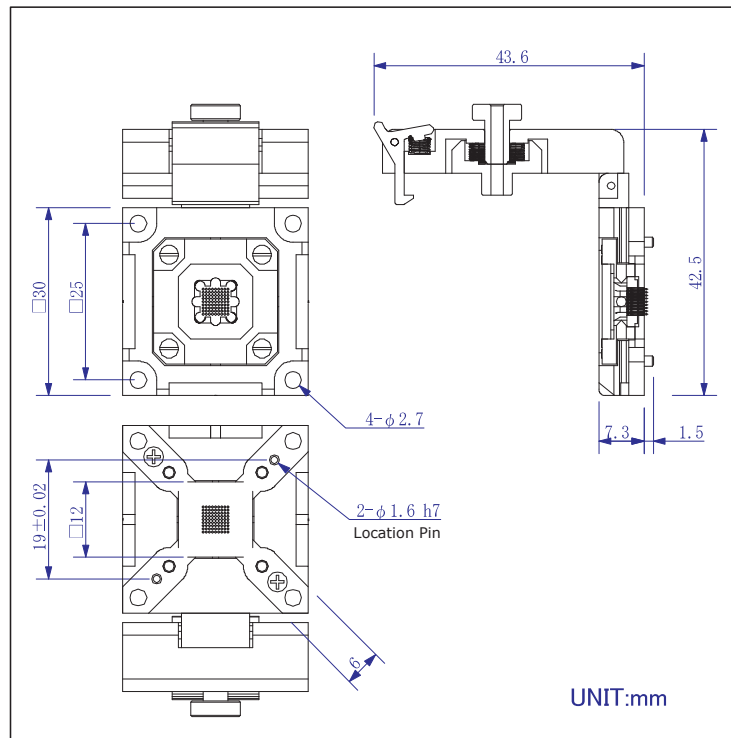
PRODUCT DESCRIPTION

The STS301 socket series has been well adapted in test industry. This socket achieves both high frequency capability and small realstate on DUT board.

- Quick delivery for custom package
- Various contacts available
- High carry current max 1A/pin
- High frequency device testing

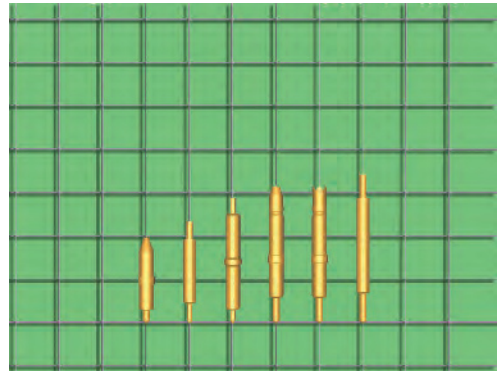
SPECIFICATIONS

STS301 Socket Series		
Parameters	Unit	
Physical properties		
Maximum Package Size	mm x mm MAX	8 x 8
Housing Body Type	mm x mm	30 x 30 (H=7.3mm Type)
Probe	mm	L=2.0 to 3.2/L-contact*
Available Pitch		0.4 to 0.8
Holding Type		Clam shell/One-touch/Fixed
Mechanical life	cycle	100,000
Electrical properties		
Contact Resistance	mΩ	100
Carry current	A	1
Other		
		RF device capable
		Capable for device contact sensor
		Floating structure available**



Applicable probes

scale: 1mm



Applicable L-Contact

scale: 1mm



* see probe selections page for further details

** applicable only 3mm or longer probes