

# DC Pass Directional Coupler

## ZFDC-15-10+ ZFDC-15-10

50Ω

800 to 1000 MHz



### Maximum Ratings

Operating Temperature	-55°C to 100°C
Storage Temperature	-55°C to 100°C
DC Current	1.0A

### Coaxial Connections

INPUT	1
OUTPUT	2
COUPLED	3

### Features

- excellent mainline loss, 0.3 dB typ.
- high input power, 5 watts
- rugged shielded case
- DC current through input to output 1.0A Max.

### Applications

- cellular
- instrumentation
- communications receivers & transmitters

CASE STYLE: K18

Connectors	Model	Price	Qty.
SMA	ZFDC-15-10-S(+)	\$44.95	(1-9)

**+ RoHS compliant in accordance with EU Directive (2002/95/EC)**

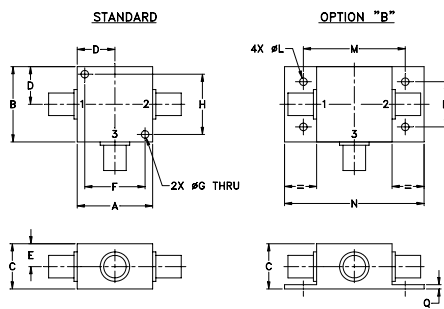
The +Suffix identifies RoHS Compliance. See our web site for RoHS Compliance methodologies and qualifications.

### Directional Coupler Electrical Specifications

FREQ. RANGE (MHz)	COUPLING (dB)		MAINLINE LOSS <sup>1</sup> (dB)		DIRECTIVITY (dB)		VSWR (:1)	POWER INPUT (W)
	Nom.	Flatness	Typ.	Max.	Typ.	Min.		
f <sub>L</sub> -f <sub>U</sub>								
800-1000	15±1.0	±1.0	0.3	0.7	23	17	1.2	5.0

1. Mainline loss includes theoretical power loss at coupled port.

### Outline Drawing



### Outline Dimensions (inch/mm)

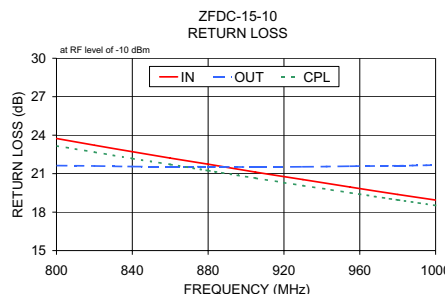
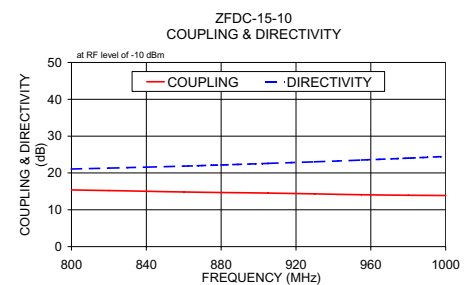
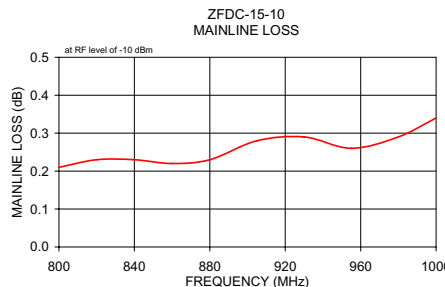
A	B	C	D	E	F	G	H
1.25	1.25	.75	.63	.38	1.00	.125	1.000
31.75	31.75	19.05	16.00	9.65	25.40	3.18	25.40

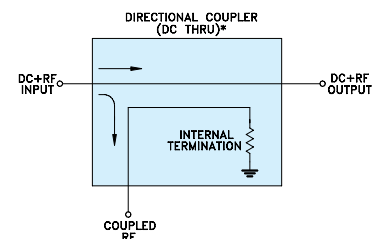
J	K	L	M	N	P	Q	wt
--	--	.125	1.688	2.18	.75	.07	grams
--	--	3.18	42.88	55.37	19.05	1.78	70.0

### Typical Performance Data

Frequency (MHz)	Mainline Loss (dB) In-Out	Coupling (dB) In-Cpl	Directivity (dB)	Return Loss (dB)		
				In	Out	Cpl
800.00	0.21	15.38	21.07	23.74	21.63	23.17
820.00	0.23	15.21	21.32	23.22	21.60	22.68
840.00	0.23	15.03	21.58	22.71	21.56	22.18
860.00	0.22	14.84	21.86	22.21	21.55	21.72
880.00	0.23	14.69	22.18	21.74	21.54	21.24
905.00	0.28	14.53	22.61	21.12	21.52	20.65
930.00	0.29	14.33	23.03	20.54	21.54	20.07
955.00	0.26	14.10	23.52	19.95	21.58	19.51
980.00	0.29	13.95	24.03	19.38	21.62	18.95
1000.00	0.34	13.87	24.51	18.94	21.67	18.52



### Electrical Schematic



\* ELECTRICAL SCHEMATIC FOR DIRECTIONAL COUPLER THAT IS DESIGNED WITHOUT INTERNAL TRANSFORMERS.

**Mini-Circuits®**  
ISO 9001 ISO 14001 AS 9100 CERTIFIED

**minicircuits.com**

P.O. Box 350166, Brooklyn, New York 11235-0003 (718) 934-4500 Fax (718) 332-4661 For detailed performance specs & shopping online see Mini-Circuits web site



The Design Engineers Search Engine Provides ACTUAL Data Instantly From MINI-CIRCUITS At: [www.minicircuits.com](http://www.minicircuits.com)

REV. C  
M119986  
ZFDC-15-10  
WZ/TD/CP/AM  
081112

IF/RF MICROWAVE COMPONENTS