

Coaxial Directional Coupler

ZFDC-10-5+ ZFDC-10-5

50Ω

1 to 2000 MHz



Maximum Ratings

Operating Temperature	-55°C to 100°C
Storage Temperature	-55°C to 100°C

Coaxial Connections

INPUT	1
OUTPUT	2
COUPLED	3

Features

- very wideband, 1 to 2000 MHz
- excellent directivity, 30 dB typ.
- rugged shielded case

Applications

- cellular
- instrumentation
- communication receivers & transmitters
- GPS

BNC version shown

CASE STYLE: K18

Connectors	Model	Price	Qty.
BNC	ZFDC-10-5	\$84.95	(1-9)
SMA	ZFDC-10-5-S(+)	\$89.95	(1-9)
N-TYPE	ZFDC-10-5-N	\$89.95	(1-9)
BRACKET (OPTION "B")		\$2.50	(1+)

+ RoHS compliant in accordance with EU Directive (2002/95/EC)

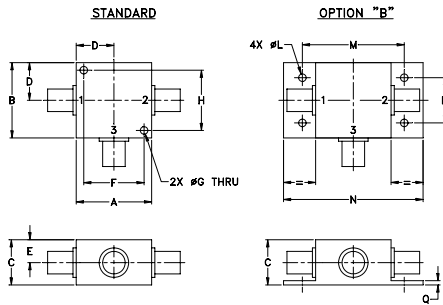
The +Suffix identifies RoHS Compliance. See our web site for RoHS Compliance methodologies and qualifications.

Directional Coupler Electrical Specifications

FREQ. RANGE (MHz)	COUPLING (dB)		MAINLINE LOSS ¹ (dB)						DIRECTIVITY (dB)						VSWR (:1)	POWER INPUT (W)		
	Nom.	Flatness	L		M		U		L		M		U			Typ.	L	MU
			Typ.	Max.	Typ.	Max.	Typ.	Max.	Typ.	Min.	Typ.	Min.	Typ.	Min.				
1-2000	10.8±0.5	±0.5	1.2	1.9	1.2	1.8	1.8	2.5	38	25	30	18	22	18	1.3	0.5	0.5	

L = low range [f_L to $10 f_L$] M = mid range [$10 f_L$ to $f_U/2$] U = upper range [$f_U/2$ to f_U]
 1. Mainline loss includes theoretical power loss at coupled port.

Outline Drawing



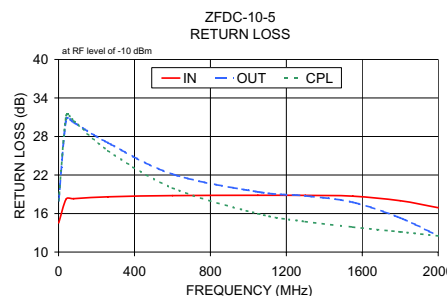
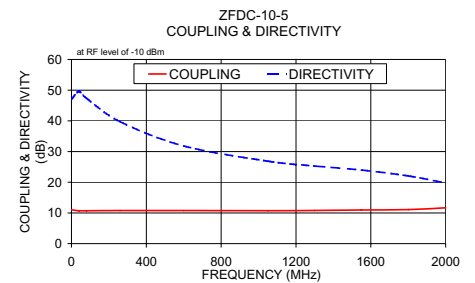
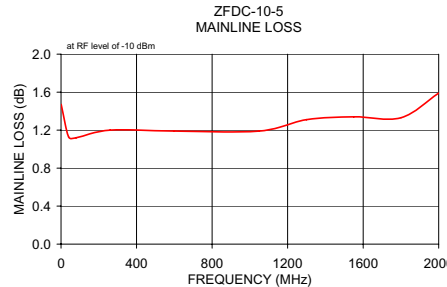
Outline Dimensions (inch/mm)

A	B	C	D	E	F	G	H
1.25	1.25	.75	.63	.38	1.00	.125	1.000
31.75	31.75	19.05	16.00	9.65	25.40	3.18	25.40

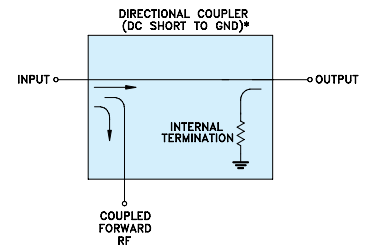
J	K	L	M	N	P	Q	wt
--	--	.125	1.688	2.18	.75	.07	grams
--	--	3.18	42.88	55.37	19.05	1.78	70.0

Typical Performance Data

Frequency (MHz)	Mainline Loss (dB) In-Out	Coupling (dB) In-Cpl	Directivity (dB)	Return Loss (dB)		Cpl
				In	Out	
1.00	1.47	11.03	47.08	14.55	18.01	18.03
40.00	1.13	10.71	49.57	18.26	30.69	31.26
80.00	1.12	10.70	47.38	18.32	30.20	30.46
260.00	1.20	10.78	39.74	18.61	27.02	25.80
600.00	1.19	10.77	31.82	18.79	22.14	19.98
1050.00	1.19	10.73	26.87	18.84	19.38	15.98
1300.00	1.31	10.81	25.29	18.83	18.76	14.75
1550.00	1.34	10.96	23.98	18.70	17.75	13.90
1800.00	1.33	11.08	22.06	17.99	15.32	13.15
2000.00	1.59	11.68	19.78	16.91	12.53	12.52



Electrical Schematic



* ELECTRICAL SCHEMATIC IS FOR DIRECTIONAL COUPLER WITH INTERNAL TRANSFORMER(S) THAT ROUTES DC FROM RF PORTS TO GROUND.

Mini-Circuits
ISO 9001 ISO 14001 AS 9100 CERTIFIED

minicircuits.com

P.O. Box 350166, Brooklyn, New York 11235-0003 (718) 934-4500 Fax (718) 332-4661 For detailed performance specs & shopping online see Mini-Circuits web site



The Design Engineers Search Engine Provides ACTUAL Data Instantly From MINI-CIRCUITS At: www.minicircuits.com

IF/RF MICROWAVE COMPONENTS

REV. B
M121214
ZFDC-10-5
WZ/TD/CP/AM
090121