

Coaxial Directional Coupler

ZFDC-10-21-75

75Ω

10 to 750 MHz



CASE STYLE: K18

Connectors	Model	Price	Qty.
BNC	ZFDC-10-21-75	\$54.95	(1-9)
BRACKET (OPTION "B")		\$2.50	(1+)

Maximum Ratings

Operating Temperature	-55°C to 100°C
Storage Temperature	-55°C to 100°C

Coaxial Connections

INPUT	1
OUTPUT	2
COUPLED	3

Features

- wideband, 10 to 750 MHz
- excellent directivity, 30 dB typ.
- rugged shielded case

Applications

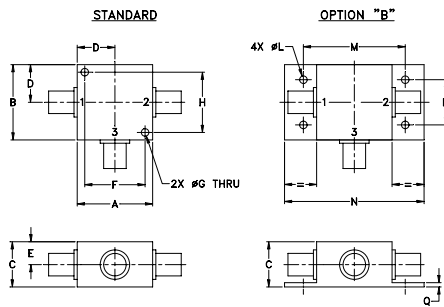
- catv
- VHF/UHF
- instrumentation
- communications receivers & transmitters

Directional Coupler Electrical Specifications

FREQ. RANGE (MHz)	COUPLING (dB)		MAINLINE LOSS ¹ (dB)						DIRECTIVITY (dB)						VSWR (:1)	POWER INPUT (W)		
	Nom.	Flatness	L		M		U		L		M		U			Typ.	L	MU
			Typ.	Max.	Typ.	Max.	Typ.	Max.	Typ.	Min.	Typ.	Min.	Typ.	Min.				
10-750	11±0.5	±0.75	1.5	1.8	1.5	1.9	1.7	2.1	36	30	30	20	26	20	1.4	1.0	2.0	

L = low range [f_L to $10 f_L$] M = mid range [$10 f_L$ to $f_U/2$] U = upper range [$f_U/2$ to f_U]
 1. Mainline loss includes theoretical power loss at coupled port.

Outline Drawing

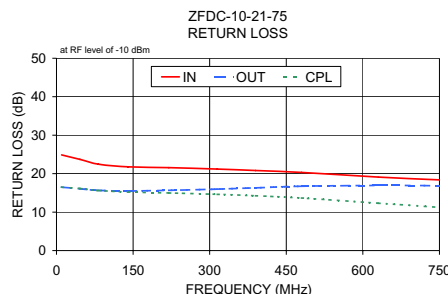
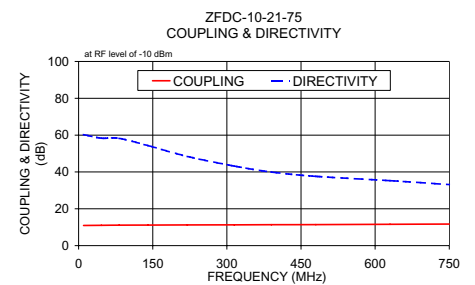
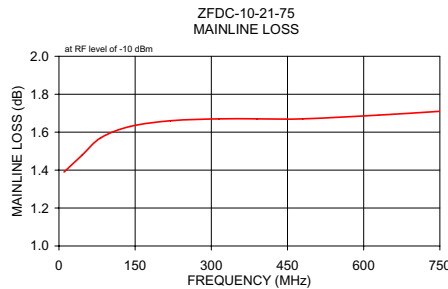


Outline Dimensions (inch/mm)

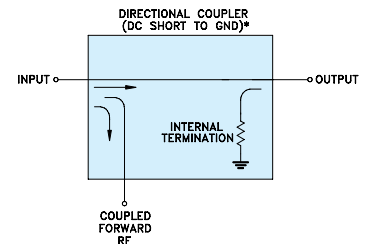
A	B	C	D	E	F	G	H
1.25	1.25	.75	.63	.38	1.00	.125	1.000
31.75	31.75	19.05	16.00	9.65	25.40	3.18	25.40
J	K	L	M	N	P	Q	wt
--	--	.125	1.688	2.18	.75	.07	grams
--	--	3.18	42.88	55.37	19.05	1.78	70.0

Typical Performance Data

Frequency (MHz)	Mainline Loss (dB) In-Out	Coupling (dB) In-Cpl	Directivity (dB)	Return Loss (dB)		Cpl
				In	Out	
10.00	1.39	10.96	60.33	24.87	16.51	16.50
46.00	1.48	11.02	58.37	23.71	16.08	16.15
82.00	1.57	11.10	58.27	22.47	15.67	15.63
140.00	1.63	11.17	54.38	21.77	15.51	15.24
220.00	1.66	11.23	48.45	21.57	15.68	14.99
315.00	1.67	11.30	43.20	21.19	15.98	14.64
390.00	1.67	11.36	39.99	20.82	16.33	14.25
480.00	1.67	11.43	37.62	20.32	16.73	13.67
630.00	1.69	11.59	35.29	19.10	16.94	12.33
750.00	1.71	11.72	33.16	18.39	16.89	11.26



Electrical Schematic



* ELECTRICAL SCHEMATIC IS FOR DIRECTIONAL COUPLER WITH INTERNAL TRANSFORMER(S) THAT ROUTES DC FROM RF PORTS TO GROUND.

Mini-Circuits
 ISO 9001 ISO 14001 AS 9100 CERTIFIED

minicircuits.com

P.O. Box 350166, Brooklyn, New York 11235-0003 (718) 934-4500 Fax (718) 332-4661 For detailed performance specs & shopping online see Mini-Circuits web site



The Design Engineers Search Engine Provides ACTUAL Data Instantly From MINI-CIRCUITS At: www.minicircuits.com

IF/RF MICROWAVE COMPONENTS

REV. A
 M119986
 ZFDC-10-21-75
 WZ/TD/CP/AM
 081112