

Coaxial Directional Coupler

50Ω

10 to 1000 MHz

ZFDC-10-2



BNC version shown
CASE STYLE: K18

Maximum Ratings

Operating Temperature	-55°C to 100°C
Storage Temperature	-55°C to 100°C

Coaxial Connections

INPUT	1
OUTPUT	2
COUPLED	3

Features

- wideband, 10 to 1000 MHz
- excellent directivity, 30 dB typ.
- rugged shielded case

Applications

- VHF/UHF
- cellular
- instrumentation
- communication receivers & transmitters

Connectors	Model	Price	Qty.
BNC	ZFDC-10-2	\$51.95	(1-9)
SMA	ZFDC-10-2-S	\$56.95	(1-9)
N-TYPE	ZFDC-10-2-N	\$56.95	(1-9)
BRACKET (OPTION "B")		\$2.50	(1+)

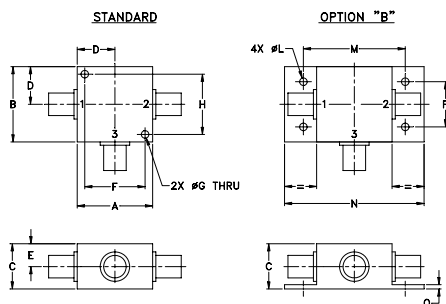
Directional Coupler Electrical Specifications

FREQ. RANGE (MHz)	COUPLING (dB)		MAINLINE LOSS ¹ (dB)						DIRECTIVITY (dB)						VSWR (:1)	POWER INPUT (W)		
	Nom.	Flatness	L		M		U		L		M		U			Typ.	L	MU
			Typ.	Max.	Typ.	Max.	Typ.	Max.	Typ.	Min.	Typ.	Min.	Typ.	Min.				
10-1000	10.75±0.5	±0.5	1.5	2.0	1.2	1.8	1.5	2.0	35	28	30	25	27	20	1.5	1.5	3.0	

L = low range [f_L to $10 f_L$] M = mid range [$10 f_L$ to $f_U/2$] U = upper range [$f_U/2$ to f_U]

1. Mainline loss includes theoretical power loss at coupled port.

Outline Drawing



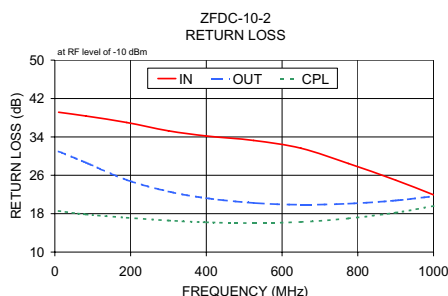
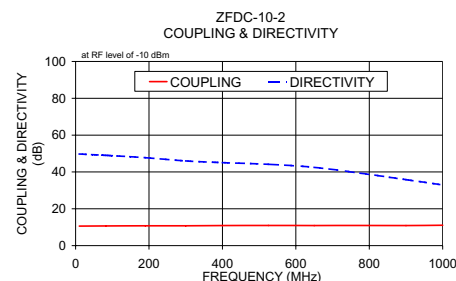
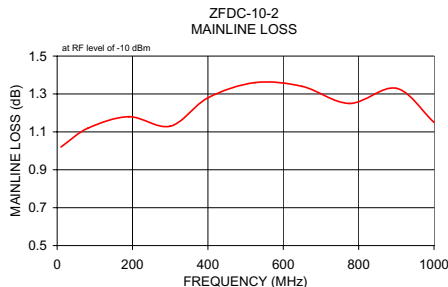
Outline Dimensions (inch/mm)

A	B	C	D	E	F	G	H
1.25	1.25	.75	.63	.38	1.00	.125	1.000
31.75	31.75	19.05	16.00	9.65	25.40	3.18	25.40

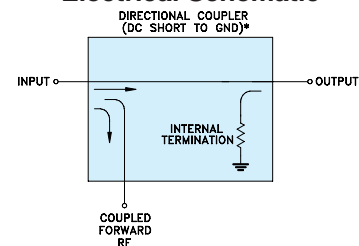
J	K	L	M	N	P	Q	wt
--	--	.125	1.688	2.18	.75	.07	grams
--	--	3.18	42.88	55.37	19.05	1.78	70.0

Typical Performance Data

Frequency (MHz)	Mainline Loss (dB) In-Out	Coupling (dB) In-Cpl	Directivity (dB)	Return Loss (dB)		Cpl
				In	Out	
10.00	1.02	10.60	49.75	39.14	30.98	18.57
82.00	1.12	10.67	49.03	38.36	28.65	17.85
190.00	1.18	10.76	47.76	37.00	25.04	17.16
300.00	1.13	10.75	46.01	35.26	22.63	16.58
400.00	1.28	10.89	45.09	34.20	21.25	16.22
525.00	1.36	10.92	44.18	33.26	20.24	16.05
650.00	1.34	10.89	42.52	31.63	19.87	16.29
775.00	1.25	10.93	39.39	28.46	20.10	17.02
900.00	1.33	10.88	35.85	24.98	20.76	18.22
1000.00	1.15	11.06	32.99	21.93	21.65	19.61



Electrical Schematic



* ELECTRICAL SCHEMATIC IS FOR DIRECTIONAL COUPLER WITH INTERNAL TRANSFORMER(S) THAT ROUTES DC FROM RF PORTS TO GROUND.

Mini-Circuits
ISO 9001 ISO 14001 AS 9100 CERTIFIED

minicircuits.com

P.O. Box 350166, Brooklyn, New York 11235-0003 (718) 934-4500 Fax (718) 332-4661 For detailed performance specs & shopping online see Mini-Circuits web site



The Design Engineers Search Engine Provides ACTUAL Data Instantly From MINI-CIRCUITS At: www.minicircuits.com

REV. A
M119986
ZFDC-10-2
WZ/TD/CP/AM
081112

IF/RF MICROWAVE COMPONENTS