

PRELIMINARY - April 13, 1998

TEL:805-498-2111 FAX:805-498-3804 WEB:http://www.semtech.com

DESCRIPTION

The SC4040 is a two terminal precision voltage reference with thermal stability guaranteed over temperature. The SC4040 has a typical dynamic output impedance of 0.25Ω . Active output circuitry provides a very sharp turn on characteristic - the minimum operating current is $60\mu\text{A}$, with a maximum of 20mA .

Available with five voltage tolerances (0.1%, 0.2%, 0.5%, 1.0% and 2.0%) and three package outlines (SOT-23, SO-8 and TO-92), this part allows the designer the opportunity to select the optimum combination of cost and performance for their application.

FEATURES

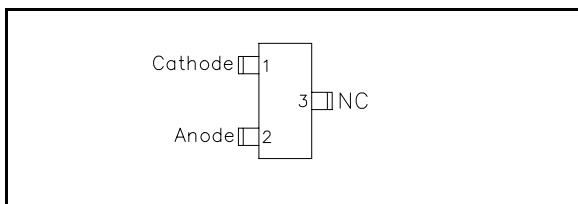
- Trimmed bandgap design (0.2%)
- Wide operating current range $60\mu\text{A}$ to 20mA
- Low dynamic impedance (0.25Ω)
- Available in SOT-23, TO-92 and SO-8

APPLICATIONS

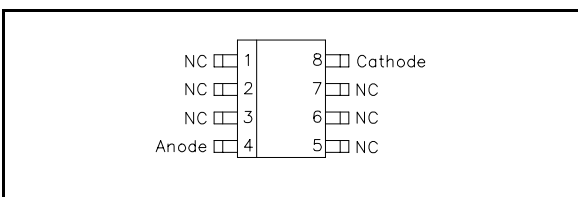
- Cellular telephones
- Portable computers
- Instrumentation
- Automotive

PIN CONFIGURATIONS

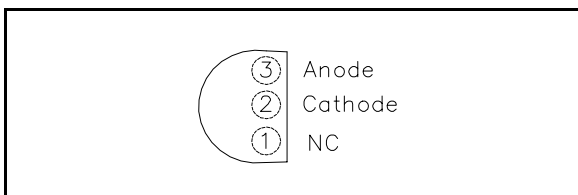
SOT-23-3 Lead (Top View)



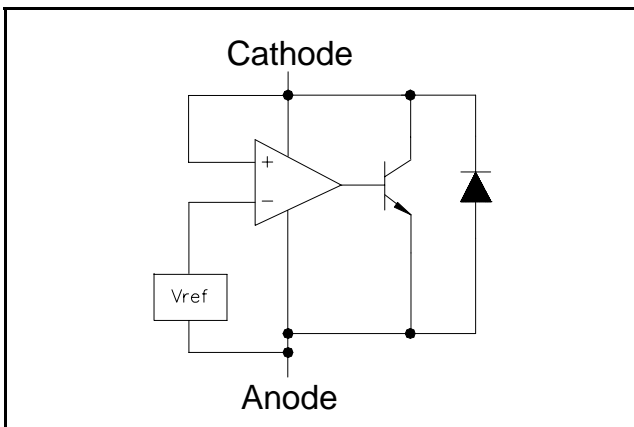
SO-8 Lead (Top View)



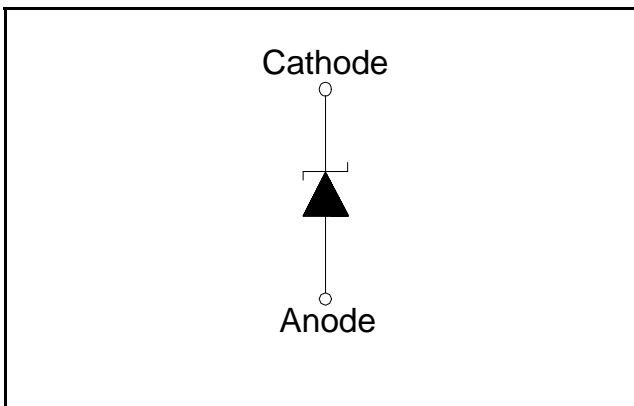
TO-92 (Top View)



BLOCK DIAGRAM



SYMBOL DIAGRAM



PRELIMINARY - April 13, 1998

ABSOLUTE MAXIMUM RATINGS

Parameter	Symbol	Maximum	Units
Reverse Current		60 μ A to 20	mA
Operating Temperature Range	T_A	-40 to +85	$^{\circ}$ C
Operating Junction Temperature Range	T_J	-40 to +150	$^{\circ}$ C
Storage Temperature Range	T_{STG}	-65 to +150	$^{\circ}$ C
Lead Temperature (Soldering) 10 seconds	T_{LEAD}	260	$^{\circ}$ C
ESD Rating	ESD	2	kV

ORDERING INFORMATION

PACKAGE	TOLERANCE					T/R Quantity
	0.1%	0.2%	0.5%	1.0%	2.0%	
SOT-23-3L ⁽¹⁾	SC4040ASK	SC4040BSK	SC4040CSK	SC4040DSK	SC4040ESK	3K
SO-8 ⁽¹⁾	SC4040AS	SC4040BS	SC4040CS	SC4040DS	SC4040ES	2.5K
TO-92 ⁽¹⁾⁽²⁾	SC4040AZ	SC4040BZ	SC4040CZ	SC4040DZ	SC4040EZ	TR=3K, TA=2K

Notes:

(1) Add suffix 'TR' for Tape & Reel.

(2) Add suffix 'TA' for Tape Ammo.

PRELIMINARY - April 13, 1998

ELECTRICAL CHARACTERISTICS

T _A = 25° C unless otherwise specified.				SC4040A (0.1%)			SC4040B (0.2%)			
Parameter	Symbol	Condition		MIN	TYP	MAX	MIN	TYP	MAX	UNITS
Reverse Breakdown Voltage	V _Z	I _Z = 100μA	T _A = 25° C	2.4975	2.5000	2.5025	2.495	2.500	2.505	V
			T _A = -40 to +85° C	2.481	2.500	2.519	2.479	2.500	2.521	V
Minimum Operating Current	I _{Z(min)}				60	80		60	80	μA
Reverse Breakdown Voltage Temperature Coefficient	$\frac{\Delta V_Z}{\Delta T}$	I _Z = 10mA I _Z = 1mA I _Z = 100μA	T _A = -40 to +85° C			±100			±100	ppm/°C
Ratio of Change in V _Z to Change in I _Z	$\frac{\Delta V_Z}{\Delta I_Z}$	I _{Z(min)} ≤ I _Z ≤ 1mA	T _A = 25° C			0.8			0.8	mV
			T _A = -40 to +85° C			1.0			1.0	mV
		1mA ≤ I _Z ≤ 12mA	T _A = 25° C			6.0			6.0	mV
			T _A = -40 to +85° C			8.0			8.0	mV
Reverse Dynamic Impedance	Z _R	I _Z = 1mA, f = 120 Hz, I _{AC} = 0.1 I _Z			0.25	0.8		0.25	0.8	Ω
Wideband Noise (RMS)	e _N	I _Z = 100μA 10Hz ≤ f ≤ 10kHz			35			35		μV
Long Term Stability of Reverse Breakdown Voltage	ΔV _Z	t = 1000 hours T = 25° C ± 0.1° C I _Z = 100μA			120			120		ppm

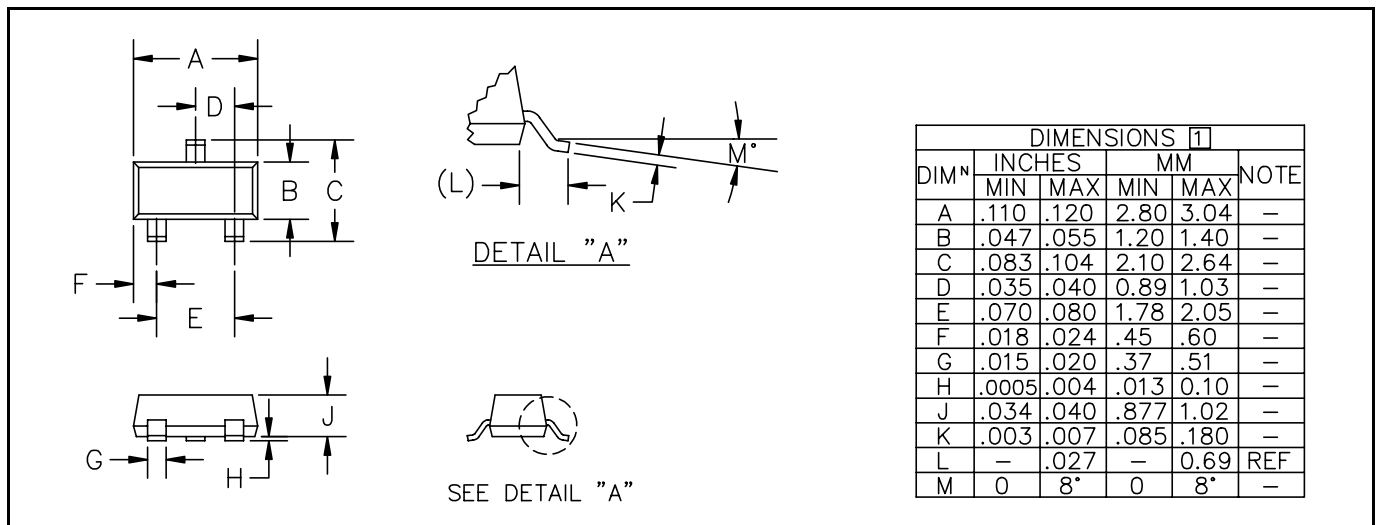
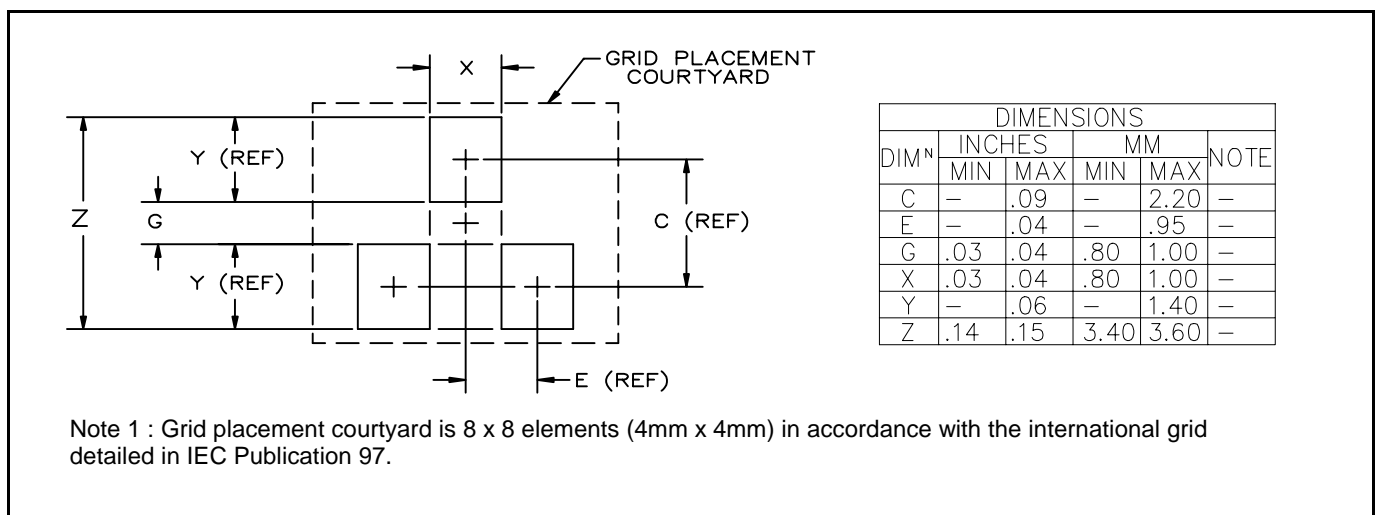
T _A = 25° C unless otherwise specified.				SC4040C (0.5%)			SC4040D (1.0%)			
Parameter	Symbol	Condition		MIN	TYP	MAX	MIN	TYP	MAX	UNITS
Reverse Breakdown Voltage	V _Z	I _Z = 100μA	T _A = 25° C	2.488	2.500	2.512	2.475	2.500	2.525	V
			T _A = -40 to +85° C	2.471	2.500	2.529	2.451	2.500	2.549	V
Minimum Operating Current	I _{Z(min)}				60	80		60	80	μA
Reverse Breakdown Voltage Temperature Coefficient	$\frac{\Delta V_Z}{\Delta T}$	I _Z = 10mA I _Z = 1mA I _Z = 100μA	T _A = -40 to +85° C			±100			±150	ppm/°C
Ratio of Change in V _Z to Change in I _Z	$\frac{\Delta V_Z}{\Delta I_Z}$	I _{Z(min)} ≤ I _Z ≤ 1mA	T _A = 25° C			0.8			1.0	mV
			T _A = -40 to +85° C			1.0			1.2	mV
		1mA ≤ I _Z ≤ 12mA	T _A = 25° C			6.0			8.0	mV
			T _A = -40 to +85° C			8.0			10.0	mV
Reverse Dynamic Impedance	Z _R	I _Z = 1mA, f = 120 Hz, I _{AC} = 0.1 I _Z			0.25	0.9		0.25	1.1	Ω
Wideband Noise (RMS)	e _N	I _Z = 100μA 10Hz ≤ f ≤ 10kHz			20			35		μV
Long Term Stability of Reverse Breakdown Voltage	ΔV _Z	t = 1000 hours T = 25° C ± 0.1° C I _Z = 100μA			120			120		ppm

PRELIMINARY - April 13, 1998

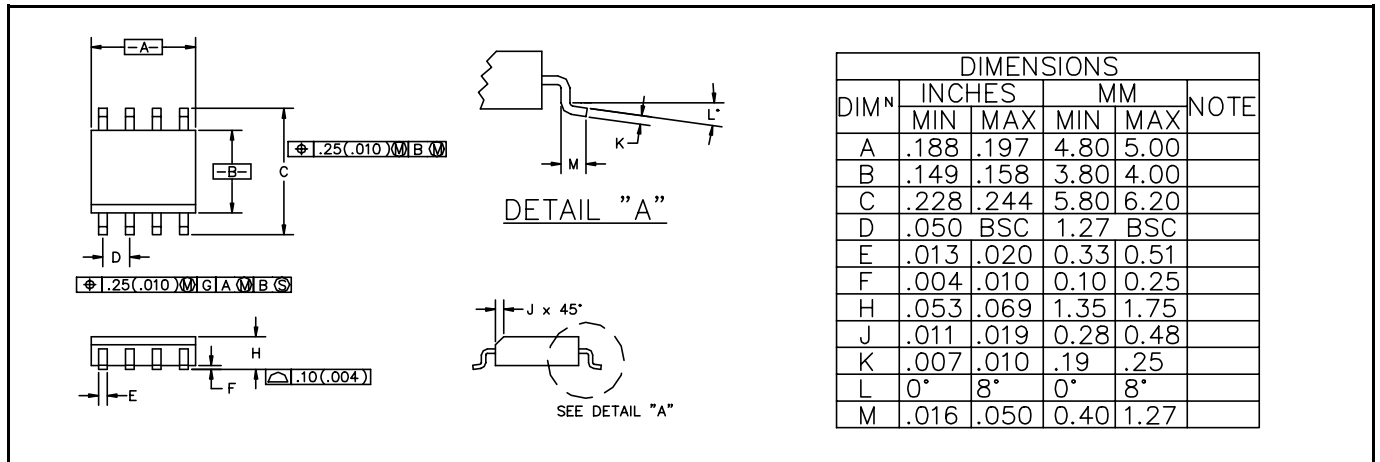
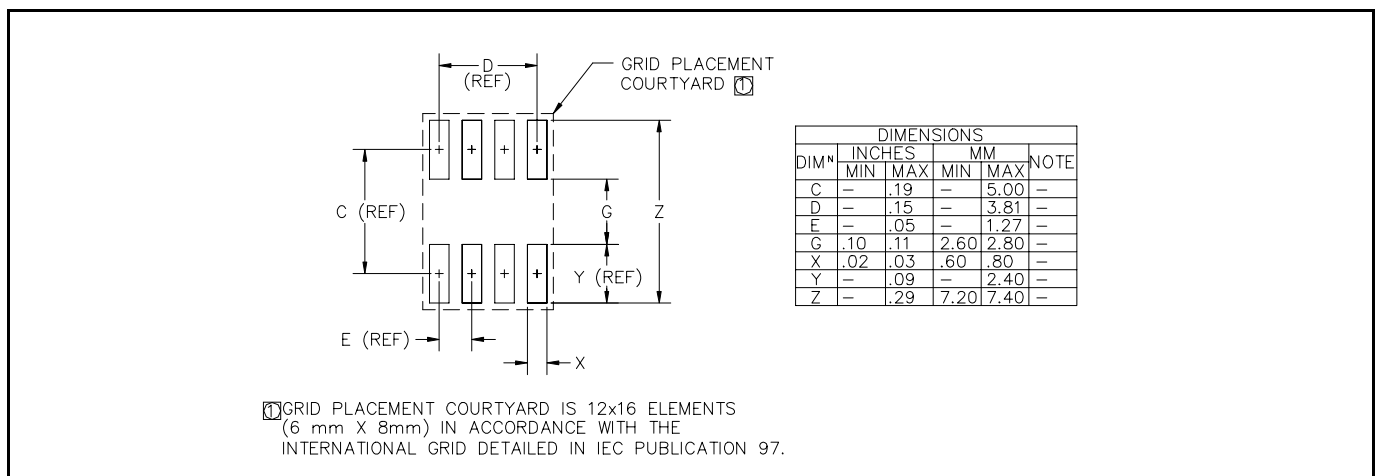
ELECTRICAL CHARACTERISTICS

T _A = 25° C unless otherwise specified.				SC4040E (2.0%)			
Parameter	Symbol	Condition		MIN	TYP	MAX	UNITS
Reverse Breakdown Voltage	V _Z	I _Z = 100μA	T _A = 25° C	2.450	2.500	2.550	V
			T _A = -40 to +85° C	2.426	2.500	2.574	V
Minimum Operating Current	I _{Z(min)}				60	80	μA
Reverse Breakdown Voltage Temperature Coefficient	$\frac{\Delta V_Z}{\Delta T}$	I _Z = 10mA I _Z = 1mA I _Z = 100μA	T _A = -40 to +85° C			±150	ppm/°C
Ratio of Change in V _Z to Change in I _Z	$\frac{\Delta V_Z}{\Delta I_Z}$	I _{Z(min)} ≤ I _Z ≤ 1mA	T _A = 25° C			1.0	mV
			T _A = -40 to +85° C			1.2	mV
		1mA ≤ I _Z ≤ 12mA	T _A = 25° C			8.0	mV
			T _A = -40 to +85° C			10.0	mV
Reverse Dynamic Impedance	Z _R	I _Z = 1mA, f = 120 Hz, I _{AC} = 0.1 I _Z			0.25	1.1	Ω
Wideband Noise (RMS)	e _N	I _Z = 100μA 10Hz ≤ f ≤ 10kHz			35		μV
Long Term Stability of Reverse Breakdown Voltage	ΔV _Z	t = 1000 hours T = 25° C ± 0.1° C I _Z = 100μA			120		ppm

PRELIMINARY - April 13, 1998

OUTLINE DRAWING SOT-23

LAND PATTERN SOT-23


PRELIMINARY - April 13, 1998

OUTLINE DRAWING SO-8

LAND PATTERN SO-8

OUTLINE DRAWING TO-92
