

Digital Attenuator, 4-Bit, Single Control
30 dB, 0.5 - 2.0 GHz

MAATSS0016
V2

Features

- Positive Single Control
- 2-dB Attenuation Steps to 30 dB
- Low DC Power Consumption
- Lead-Free TSSOP-16 Plastic Package
- 100% Matte Tin Plating over Copper
- Halogen-Free "Green" Mold Compound
- 260°C Re-flow Compatible
- RoHS* Compliant Version of AT-264

Description

M/A-COM's MAATSS0016 is a 4-bit, 2-dB step GaAs MMIC digital attenuator in a lead-free TSSOP-16 surface mount plastic package. The MAATSS0016 is ideally suited for use where high accuracy, very low power consumption and low intermodulation products are required. Typical applications include radio, cellular, wireless LANs, GPS equipment and other gain/level control circuits.

The MAATSS0016 is fabricated using a mature 1 micron GaAs MESFET process. The process features full chip passivation for increased performance and reliability.

Ordering Information¹

Part Number	Package
MAATSS0016	Bulk Packaging
MAATSS0016TR	1000 piece reel

1. Reference Application Note M513 for reel size information.

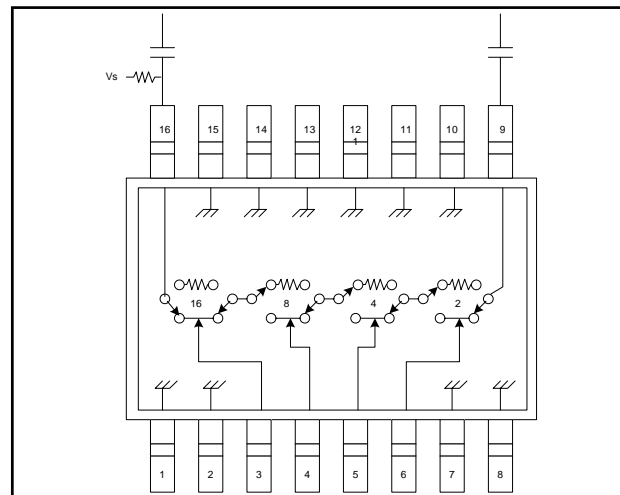
Absolute Maximum Ratings^{2,3}

Parameter	Absolute Maximum
Input Power 50 MHz 500 - 2000 MHz	+27 dBm +34 dBm
Control Voltage	-0.5 V ≤ V _C ≤ 8.5 V
Operating Temperature	-40°C to +85°C
Storage Temperature	-65°C to +150°C

- Exceeding any one or combination of these limits may cause permanent damage to this device.
- M/A-COM does not recommend sustained operation near these survivability limits.

* Restrictions on Hazardous Substances, European Union Directive 2002/95/EC.

Functional Schematic^{4,5}



- Blocking capacitors are required on all RF ports (39 pF used for data measurements).
- V_s = +5 ± 0.2 VDC must be applied at RF1 or RF2 using a 10 Kohm or greater pull-up resistor.

Pin Configuration

Pin No.	Function	Pin No.	Function
1	Ground	9	RF2
2	Ground	10	Ground
3	VC1	11	Ground
4	VC2	12	Ground
5	VC3	13	Ground
6	VC4	14	Ground
7	Ground	15	Ground
8	Ground	16	RF1

Truth Table⁶

VC1	VC2	VC3	VC4	Attenuation (dB)
1	1	1	1	Reference Insertion Loss
1	1	1	0	2
1	1	0	1	4
1	0	1	1	8
0	1	1	1	16
0	0	0	0	30

6. 0 = 0 ± 0.2 V, 1 = +5 V

**Digital Attenuator, 4-Bit, Single Control
30 dB, 0.5 - 2.0 GHz**

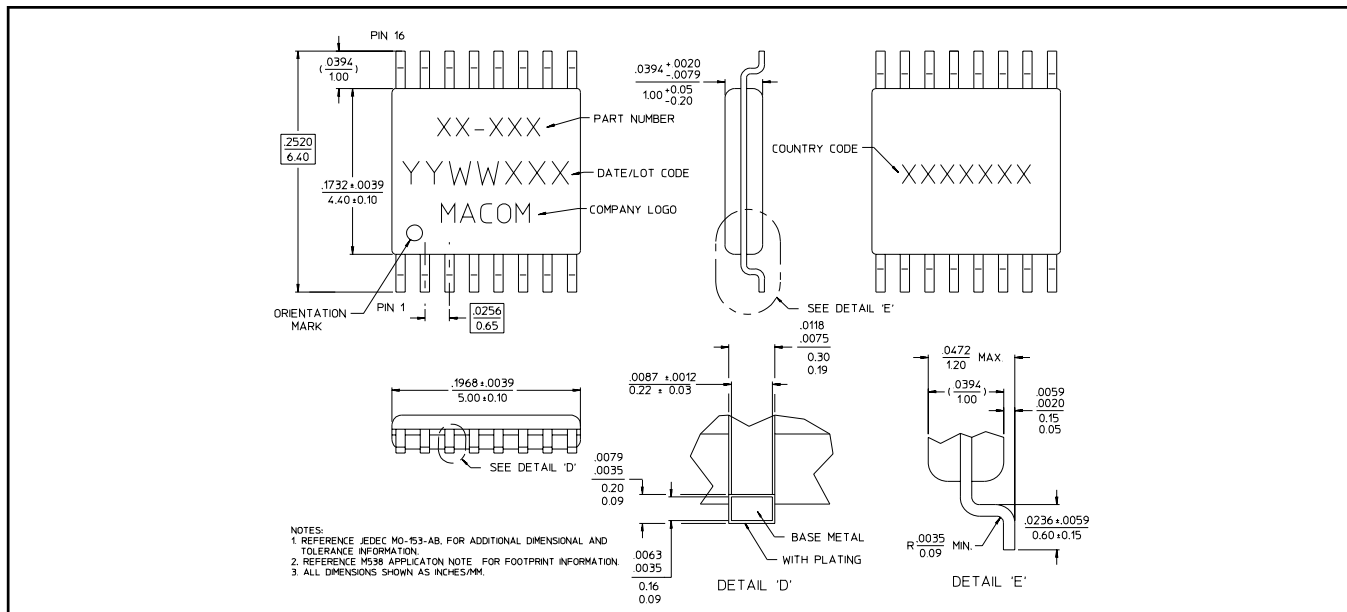
**MAATSS0016
V2**

Electrical Specifications⁷: T_A = 25°C, Z₀ = 50 Ω, V_S = 5 V

Parameter	Test Conditions	Units	Min.	Typ.	Max.
Reference Insertion Loss	0.5 - 1.0 GHz	dB	—	2.0	2.4
	0.5 - 2.0 GHz	dB	—	2.2	2.7
Attenuation Accuracy	0.5 - 1.0 GHz 0.5 - 2.0 GHz	± (0.15 dB + 5% of attenuation setting in dB) dB ± (0.3 dB + 5% of attenuation setting in dB) dB			
VSWR	1.0 - 1.5 GHz	Ratio	—	1.5:1	—
	0.5 - 2.0 GHz	Ratio	—	1.9:1	—
Trise, Tfall	10% to 90% RF, 90% to 10% RF	nS	—	500	—
Ton, Toff	50% Control to 90% RF, 50% Control to 10% RF	nS	—	500	—
Transients	In Band	mV	—	75	—
1 dB Compression	Input Power, 0.5 GHz	dBm	—	25	—
	Input Power, 0.9 GHz	dBm	—	25	—
IP ₂	0.5 GHz	dBm	—	65	—
	0.5 - 2.0 GHz Measured Relative to Input (for two-tone Input Power up to +5 dBm)	dBm	—	71	—
IP ₃	0.5 GHz	dBm	—	43	—
	0.5 - 2.0 GHz Measured Relative to Input (for two-tone Input Power up to +5 dBm)	dBm	—	47	—
I _c	V _c = 5 V	μA	—	—	10
I _{vs}	—	μA	—	—	20

7. External DC blocking capacitors are required on all RF ports. Loss varies at 0.003 dB/°C.

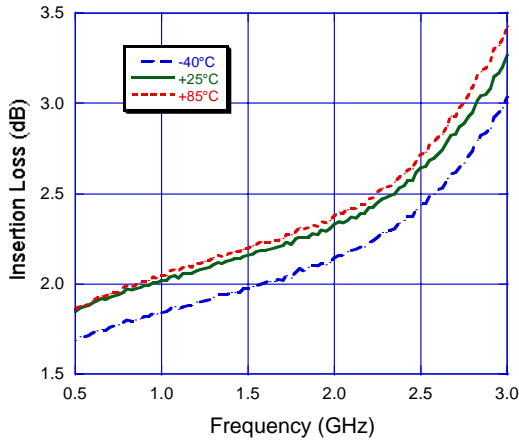
Lead-Free TSSOP-16[†]



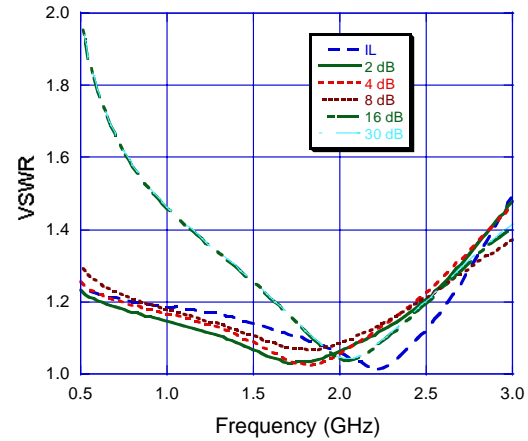
[†] Reference Application Note M538 for lead-free solder reflow recommendations.

Typical Performance Curves

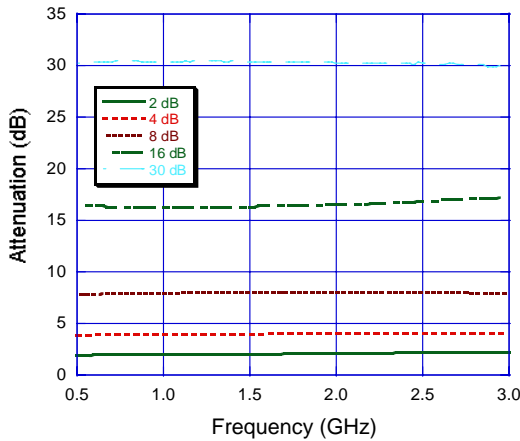
Insertion Loss



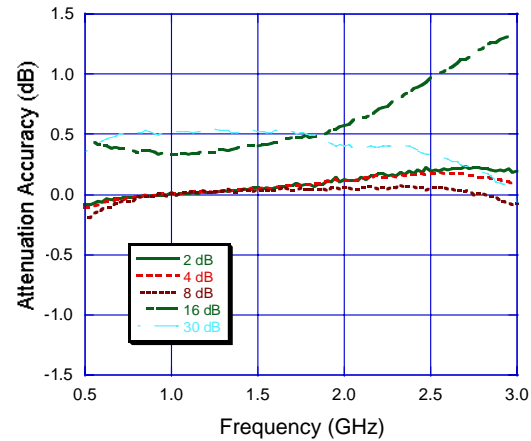
VSWR



Attenuation



Attenuation Accuracy



Handling Procedures

Please observe the following precautions to avoid damage:

Static Sensitivity

Gallium Arsenide Integrated Circuits are sensitive to electrostatic discharge (ESD) and can be damaged by static electricity. Proper ESD control techniques should be used when handling these devices.