

■ General Description

The AME40 is a micropower 2-terminal band-gap voltage regulator diode. It operates over a 40µA to 20mA current range. Each circuit is trimmed at wafer sort to provide a ±0.50% initial tolerance. The design of the AME40 allows for a large range of load capacitances and operating currents. The low start-up current makes these parts ideal for battery applications.

AME, Inc. offers this part in a TO-92, SOP-8 packages as well as the space saving SOT-23.

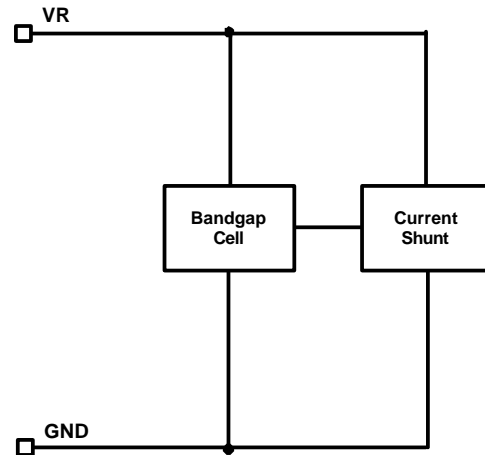
■ Features

- Small Packages: SOT-23, TO-92, SOP-8
- Tolerates Capacitive Loads
- Fixed Reverse Breakdown Voltage of 2.5V
- Tight Voltage Tolerance ----- ±0.5%
- Wide Operating Current ----- 40µA to 20mA
- Wide Temperature Range ----- -40°C to 85°C
- Low Temperature Coefficient --100ppm/°C (max)
- Excellent Transient Response
- All AME's Lead Free Products Meet RoHS Standards

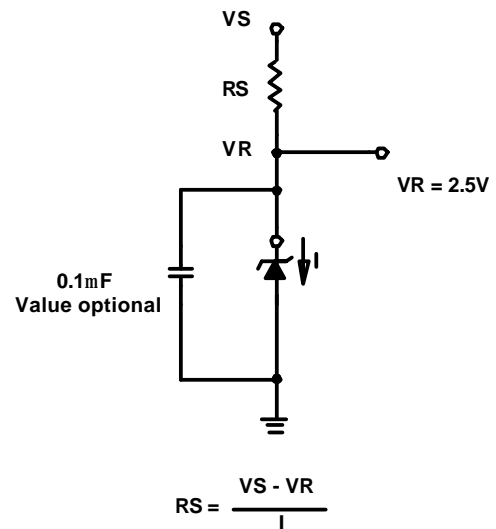
■ Applications

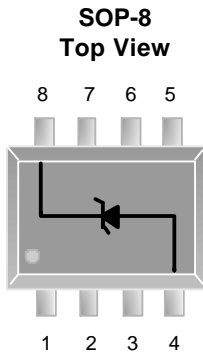
- Portable Electronics
- Power Supplies
- Computer Peripherals
- Data Acquisition Systems
- Battery Chargers
- Consumer Electronics

■ Functional Block Diagram



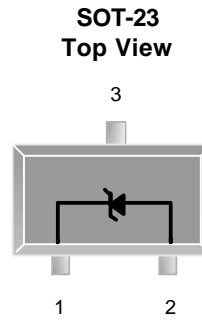
■ Typical Application



■ Pin Configuration


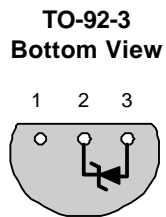
- AME40**
1. NC
 2. NC
 3. NC
 4. -
 5. NC
 6. NC
 7. NC
 8. +

*** Die Attach:
Non-Conductive Epoxy**



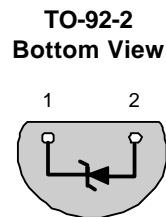
- AME40**
1. +
 2. -
 3. NC*

*** Die Attach:
Non-Conductive Epoxy**



- AME40**
1. NC*
 2. +
 3. -

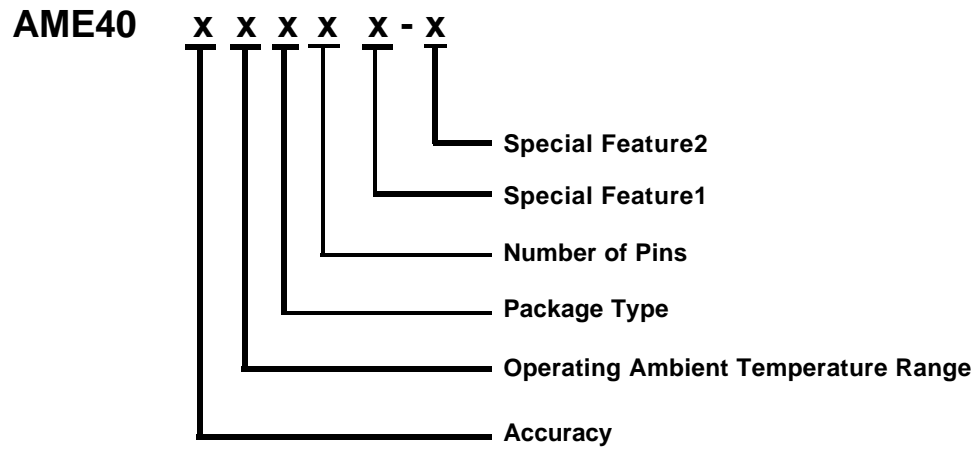
*** Die Attach:
Non-Conductive Epoxy**



- AME 40**
1. +
 2. -

*** Die Attach:
Non-Conductive Epoxy**

* The NC pin must float or be connected to - (negative)

■ Ordering Information


Accuracy	Operating Ambient Temperature Range	Package Type	Number of Pins	Special Feature1	Special Feature2 (For TO-92 Package Only)									
A: 0.5% (SOT-23) (SOP-8) (TO-92-2) (TO-92-3)	E: -40°C to 85°C	A: TO-92 E: SOT-2X H: SOP	A: 8 S: 2 T: 3	Z: Lead Free	<table border="1"> <thead> <tr> <th></th> <th>Package</th> <th>Lead Pitch</th> </tr> </thead> <tbody> <tr> <td>N/A:</td> <td>Taping</td> <td>5.08mm</td> </tr> <tr> <td>1:</td> <td>Bulk</td> <td>2.54mm</td> </tr> </tbody> </table>		Package	Lead Pitch	N/A:	Taping	5.08mm	1:	Bulk	2.54mm
	Package	Lead Pitch												
N/A:	Taping	5.08mm												
1:	Bulk	2.54mm												

■ Ordering Information

Part Number	Marking*	Accuracy	Package	Operating Ambient Temperature Range
AME40AEET	ABZww	0.5%	SOT-23	- 40°C to 85°C
AME40AEETZ	ABZww	0.5%	SOT-23	- 40°C to 85°C
AME40AEAS	AME 40 AEAS yyww	0.5%	TO-92-2	- 40°C to 85°C
AME40AEAS-1	AME 40 AEAS yyww	0.5%	TO-92-2	- 40°C to 85°C
AME40AEASZ	AME 40 AEAS yyww	0.5%	TO-92-2	- 40°C to 85°C
AME40AEASZ-1	AME 40 AEAS yyww	0.5%	TO-92-2	- 40°C to 85°C
AME40AEAT	AME 40 AEAT yyww	0.5%	TO-92-3	- 40°C to 85°C
AME40AEAT-1	AME 40 AEAT yyww	0.5%	TO-92-3	- 40°C to 85°C
AME40AEATZ	AME 40 AEAT yyww	0.5%	TO-92-3	- 40°C to 85°C
AME40AEATZ-1	AME 40 AEAT yyww	0.5%	TO-92-3	- 40°C to 85°C
AME40AEHA	40 AEHA yyww	0.5%	SOP-8	- 40°C to 85°C
AME40AEHAZ	40 AEHA yyww	0.5%	SOP-8	- 40°C to 85°C

Note: yyww & ww represents the date code

* A line on top of the first letter represents lead free plating such as $\overline{A}BZ$.

Please consult AME sales office or authorized Rep./Distributor for the availability of voltage accuracy and package type.

■ Absolute Maximum Ratings

Parameter	Maximum	Unit
Supply Current	20	mA

Caution: Stress above the listed absolute maximum rating may cause permanent damage to the device

■ Recommended Operating Conditions

Parameter	Symbol	Rating	Unit
Ambient Temperature Range	T_A	- 40 to 85	°C
Junction Temperature Range	T_J	- 40 to 125	°C
Storage Temperature Range	T_{STG}	- 65 to 150	°C
Supply Current		60 μ A ~ 12mA	

■ Thermal Information

Parameter	Package	Die Attach	Symbol	Maximum	Unit
Thermal Resistance* (Junction to Case)	SOT-23	Non-Conductive Epoxy	θ_{JC}	140	°C / W
	TO-92-2 TO-92-3			80	
Thermal Resistance (Junction to Ambient)	SOT-23	Non-Conductive Epoxy	θ_{JA}	280	°C / W
	TO-92-2 TO-92-3			150	
Internal Power Dissipation	SOT-23	Non-Conductive Epoxy	P_D	400	mW
	TO-92-2 TO-92-3			625	
Maximum Junction Temperature				150	°C
Solder Iron (10 Sec)**				350	°C

* Measure θ_{JC} on center of molding compound if IC has no tab.

** MIL-STD-202G 210F



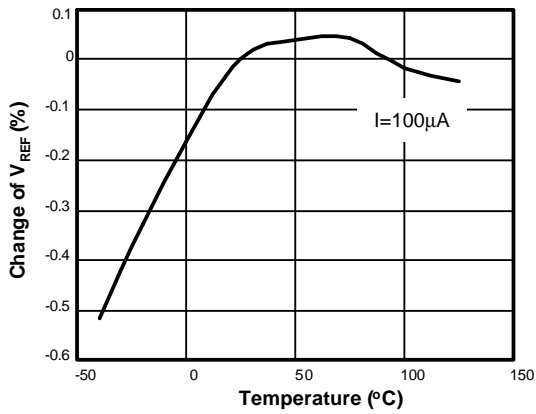
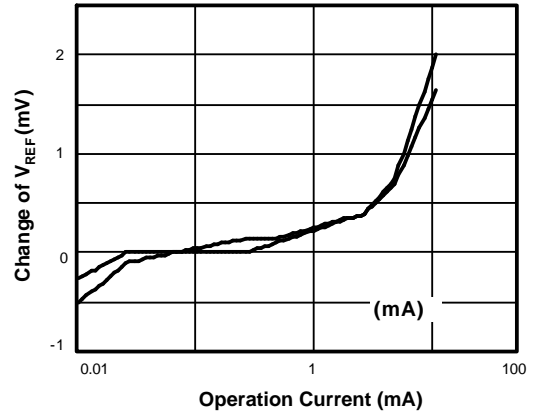
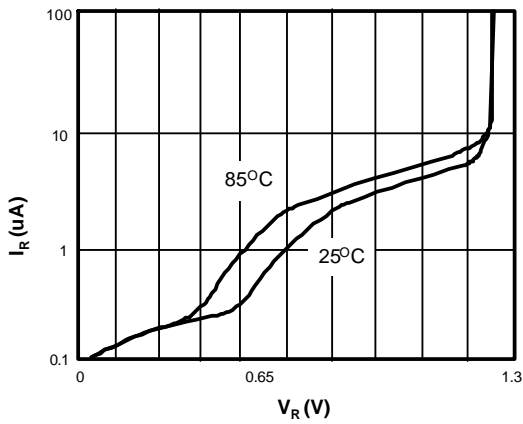
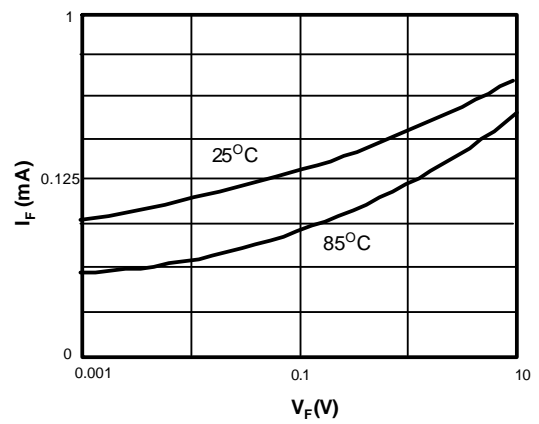
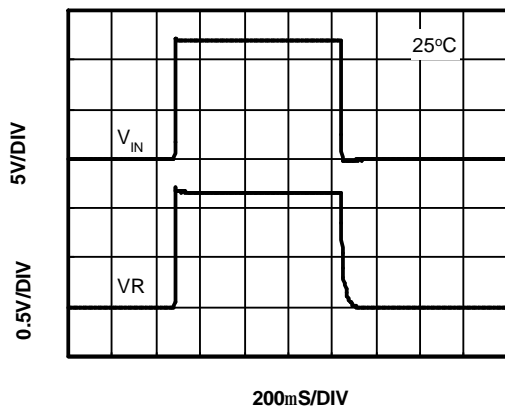
AME40

Shunt Bandgap Voltage Reference

■ Electrical Specifications

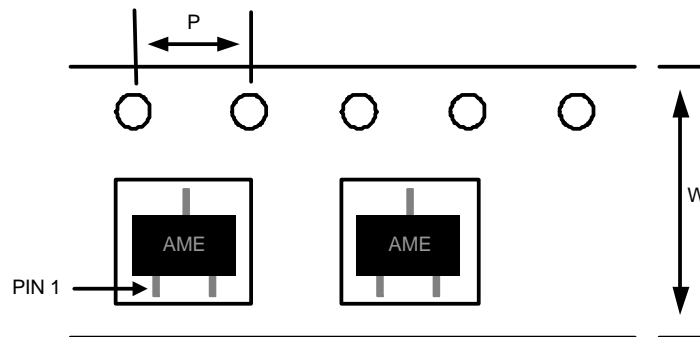
Unless otherwise specified, $T_A = 25^\circ\text{C}$, $I = 100\mu\text{A}$

Parameter	Symbol	Test Condition	Min	Typ	Max	Units
Reference Voltage, $\pm 0.5\%$	V_{REF}	$T_A = 25^\circ\text{C}$, $I_{REF} = 100\mu\text{A}$	2.487	2.500	2.513	V
Minimum Current	I_{MIN}				40	μA
Reference Voltage Change With Current	$dV_{REF/I}$	$I_{MIN} \leq I \leq 1\text{mA}$		1.5	3	mV
		$1\text{mA} \leq I \leq 20\text{mA}$		4	8	
Reference Voltage Temp. Coeff.	V_{REFTC}	$0^\circ\text{C} < T_A < 70^\circ\text{C}$			100	$\text{ppm}/^\circ\text{C}$

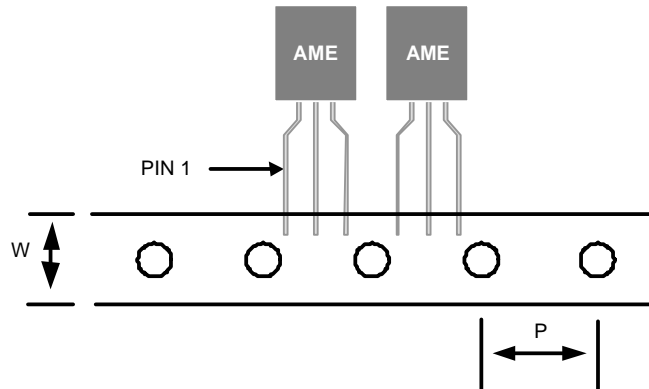
■ Characterization Curve(For reference only)
Normalized Percentage Change vs. Temp.

Reference Voltage Change vs. Current

Reverse Characteristic

Forward Characteristic

Line Transient Response


■ Date Code Rule

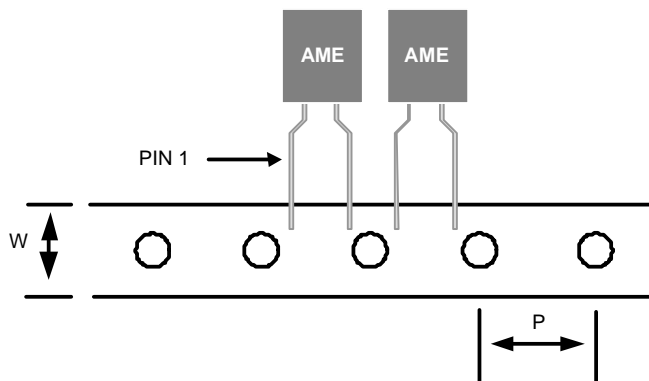
Marking			Date Code		Year
A	A	A	W	W	xxx0
A	A	A	W	<u>W</u>	xxx1
A	A	A	<u>W</u>	W	xxx2
A	A	A	<u>W</u>	<u>W</u>	xxx3
A	A	<u>A</u>	W	W	xxx4
A	A	<u>A</u>	W	<u>W</u>	xxx5
A	A	<u>A</u>	<u>W</u>	W	xxx6
A	A	<u>A</u>	<u>W</u>	<u>W</u>	xxx7
A	<u>A</u>	A	W	W	xxx8
A	<u>A</u>	A	W	<u>W</u>	xxx9

■ Tape and Reel Dimension
SOT-23

Carrier Tape, Number of Components Per Reel and Reel Size

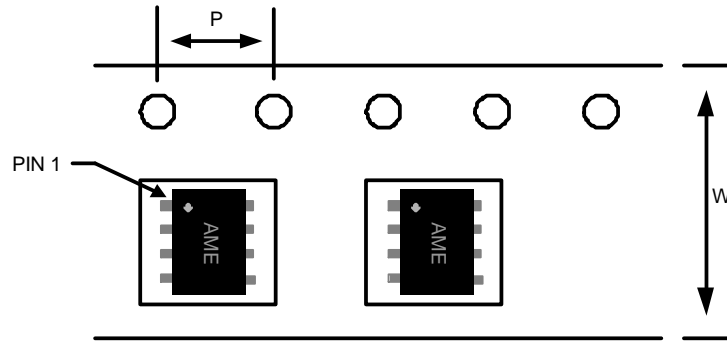
Package	Carrier Width (W)	Pitch (P)	Part Per Full Reel	Reel Size
SOT-23	8.0±0.1 mm	4.0±0.1 mm	3000pcs	180±1 mm

■ Tape and Reel Dimension
TO-92-3

Carrier Tape, Number of Components Per Reel and Reel Size

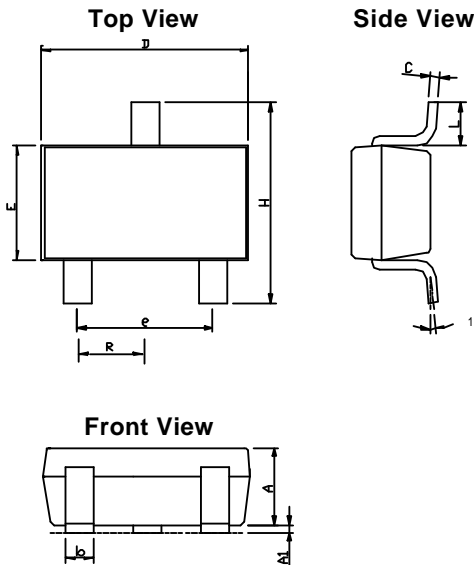
Package	Carrier Width (W)	Pitch (P)	Part Per Full Reel	Reel Size
TO-92-3	18.0 ^{+1.0} _{-0.5} mm	12.7±0.2 mm	2000pcs	N/A

TO-92-2

Carrier Tape, Number of Components Per Reel and Reel Size

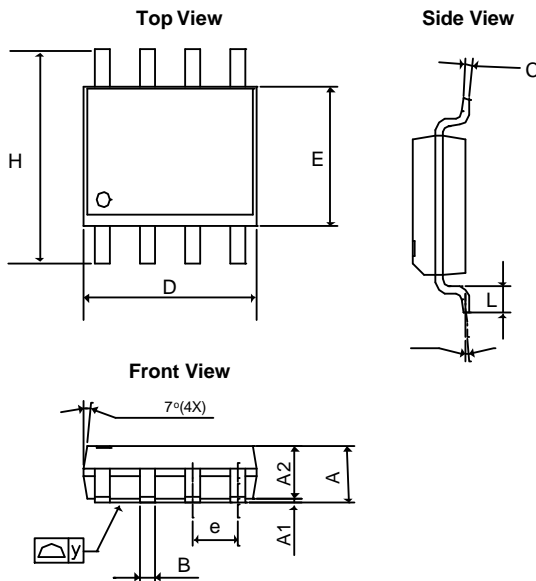
Package	Carrier Width (W)	Pitch (P)	Part Per Full Reel	Reel Size
TO-92-2	18.0 ^{+1.0} _{-0.5} mm	12.7±0.2 mm	2000pcs	N/A

■ Tape and Reel Dimension
SOP-8

Carrier Tape, Number of Components Per Reel and Reel Size

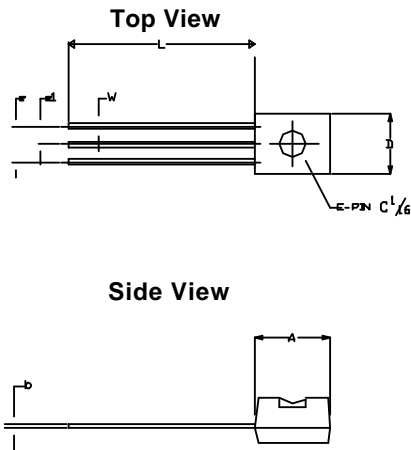
Package	Carrier Width (W)	Pitch (P)	Part Per Full Reel	Reel Size
SOP-8	12.0±0.1 mm	4.0±0.1 mm	2500pcs	330±1 mm

■ Package Dimension
SOT-23


SYMBOLS	MILLIMETERS		INCHES	
	MIN	MAX	MIN	MAX
A	1.00	1.40	0.0394	0.0551
A ₁	0.00	0.15	0.0000	0.0059
b	0.35	0.50	0.0138	0.0197
C	0.09	0.25	0.0035	0.0098
D	2.70	3.10	0.1063	0.1220
E	1.40	1.80	0.0551	0.0709
e	1.90 BSC		0.0748 BSC	
H	2.40	3.00	0.09449	0.11811
L	0.35BSC		0.0138BSC	
q1	0°	10°	0°	10°

SOP-8


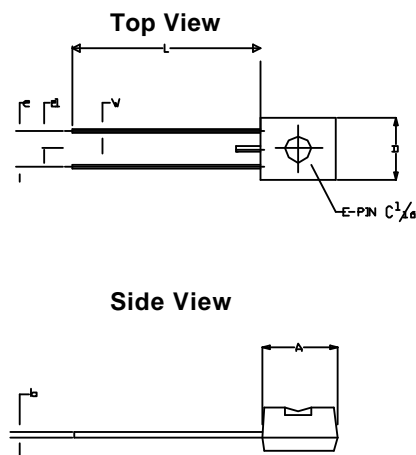
SYMBOLS	MILLIMETERS		INCHES	
	MIN	MAX	MIN	MAX
A	1.35	1.75	0.05315	0.0689
A ₁	0.10	0.30	0.00394	0.01181
A ₂	1.473 REF		0.05799 REF	
B	0.33	0.51	0.01299	0.02008
C	0.19	0.25	0.00748	0.00984
D	4.80	5.33	0.18898	0.20984
E	3.80	4.00	0.14961	0.15748
e	1.27 BSC		0.05000 BSC	
L	0.40	1.27	0.01575	0.05000
H	5.80	6.30	0.22835	0.24803
y	-	0.10	-	0.00394
q	0°	8°	0°	8°

■ Package Dimension
TO-92-3 (bulk pack)


SYMBOLS	MILLIMETERS		INCHES	
	MIN	MAX	MIN	MAX
A	4.32	4.95	0.1701	0.1949
b	0.36	0.51	0.0142	0.0201
E	3.30	3.94	0.1299	0.1551
e	2.41	2.67	0.0949	0.1051
e1	1.14	1.40	0.0449	0.0551
L	12.70	15.49	0.5000	0.6098
R	2.16	2.41	0.0850	0.0949
W	0.41	0.56	0.0161	0.0220
D	4.45	4.95	0.1752	0.1949

Notes:

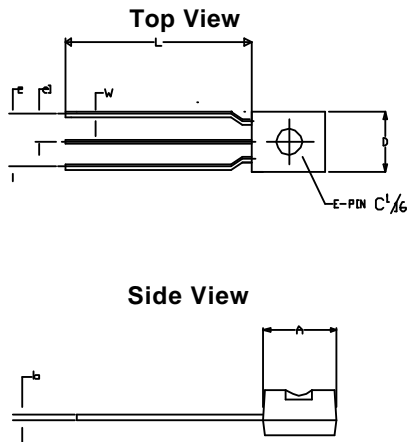
1. Package outline exclusive of any mold flashes dimension.
2. Package outline exclusive of burr dimension.
3. Lead pitch=2.54mm is bulk pack.
4. Lead pitch=5.08mm is tape pack.

TO-92-2 (bulk pack)


SYMBOLS	MILLIMETERS		INCHES	
	MIN	MAX	MIN	MAX
A	4.32	4.95	0.1701	0.1949
b	0.36	0.51	0.0142	0.0201
E	3.30	3.94	0.1299	0.1551
e	2.41	2.67	0.0949	0.1051
e1	1.14	1.40	0.0449	0.0551
L	12.70	15.49	0.5000	0.6098
R	2.16	2.41	0.0850	0.0949
W	0.41	0.56	0.0161	0.0220
D	4.45	4.95	0.1752	0.1949

Notes:

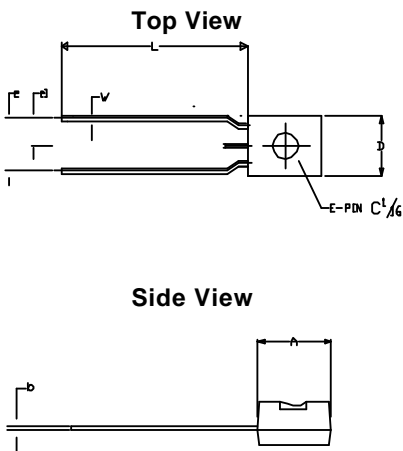
1. Package outline exclusive of any mold flashes dimension.
2. Package outline exclusive of burr dimension.
3. Lead pitch=2.54mm is bulk pack.
4. Lead pitch=5.08mm is tape pack.

■ Package Dimension
TO-92-3 (tape pack)


SYMBOLS	MILLIMETERS		INCHES	
	MIN	MAX	MIN	MAX
A	4.32	4.95	0.1701	0.1949
b	0.36	0.51	0.0142	0.0201
E	3.30	3.94	0.1299	0.1551
e	4.98	5.08	0.1961	0.2000
e1	2.49	2.54	0.0980	0.1000
L	12.70	15.49	0.5000	0.6098
R	2.16	2.41	0.0850	0.0949
W	0.41	0.56	0.0161	0.0220
D	4.45	4.95	0.1752	0.1949

Notes:

1. Package outline exclusive of any mold flashes.
2. Package outline exclusive of burr dimension.
3. Lead pitch=2.54mm is bulk pack.
4. Lead pitch=5.08mm is tape pack.

TO-92-2 (tape pack)


SYMBOLS	MILLIMETERS		INCHES	
	MIN	MAX	MIN	MAX
A	4.32	4.95	0.1701	0.1949
b	0.36	0.51	0.0142	0.0201
E	3.30	3.94	0.1299	0.1551
e	4.98	5.08	0.1961	0.2000
e1	2.49	2.54	0.0980	0.1000
L	12.70	15.49	0.5000	0.6098
R	2.16	2.41	0.0850	0.0949
W	0.41	0.56	0.0161	0.0220
D	4.45	4.95	0.1752	0.1949

Notes:

1. Package outline exclusive of any mold flashes.
2. Package outline exclusive of burr dimension.
3. Lead pitch=2.54mm is bulk pack.
4. Lead pitch=5.08mm is tape pack.



www.ame.com.tw
E-Mail: sales@ame.com.tw

Life Support Policy:

These products of AME, Inc. are not authorized for use as critical components in life-support devices or systems, without the express written approval of the president of AME, Inc.

AME, Inc. reserves the right to make changes in the circuitry and specifications of its devices and advises its customers to obtain the latest version of relevant information.

© AME, Inc. , November 2007

Document: 2003/2037-DS40-G.02

Corporate Headquarter
AME, Inc.

2F, 302 Rui-Guang Road, Nei-Hu District
Taipei 114, Taiwan.
Tel: 886 2 2627-8687
Fax: 886 2 2659-2989

U.S.A (Subsidiary)
Analog Microelectronics, Inc.

3100 De La Cruz Blvd., Suite 201
Santa Clara, CA. 95054-2438
Tel : (408) 988-2388
Fax: (408) 988-2489

