



DESCRIPTION

PT6355 is a Vacuum Fluorescent Display Controller driven 5/16, 6/16, 14/16 and 15/16 duty factors. Eight to Eighteen Segment Output Lines, Seven to Ten Grid Output Lines, Ten Segment/Grid Output Drive Lines, 8-bit x 6-channel A-D Converter, Built-in Noise Filter are all incorporated into a single chip to build a highly reliable peripheral device for a single chip micro-computer. PT6355 also provides 4 serial interfaces via the CS, SIN, SOUT, SCLK Pins. Housed in 44-pin, LQFP Package, PT6355's pin assignment and application circuit are optimized for easy PCB layout and cost saving benefits.

FEATURES

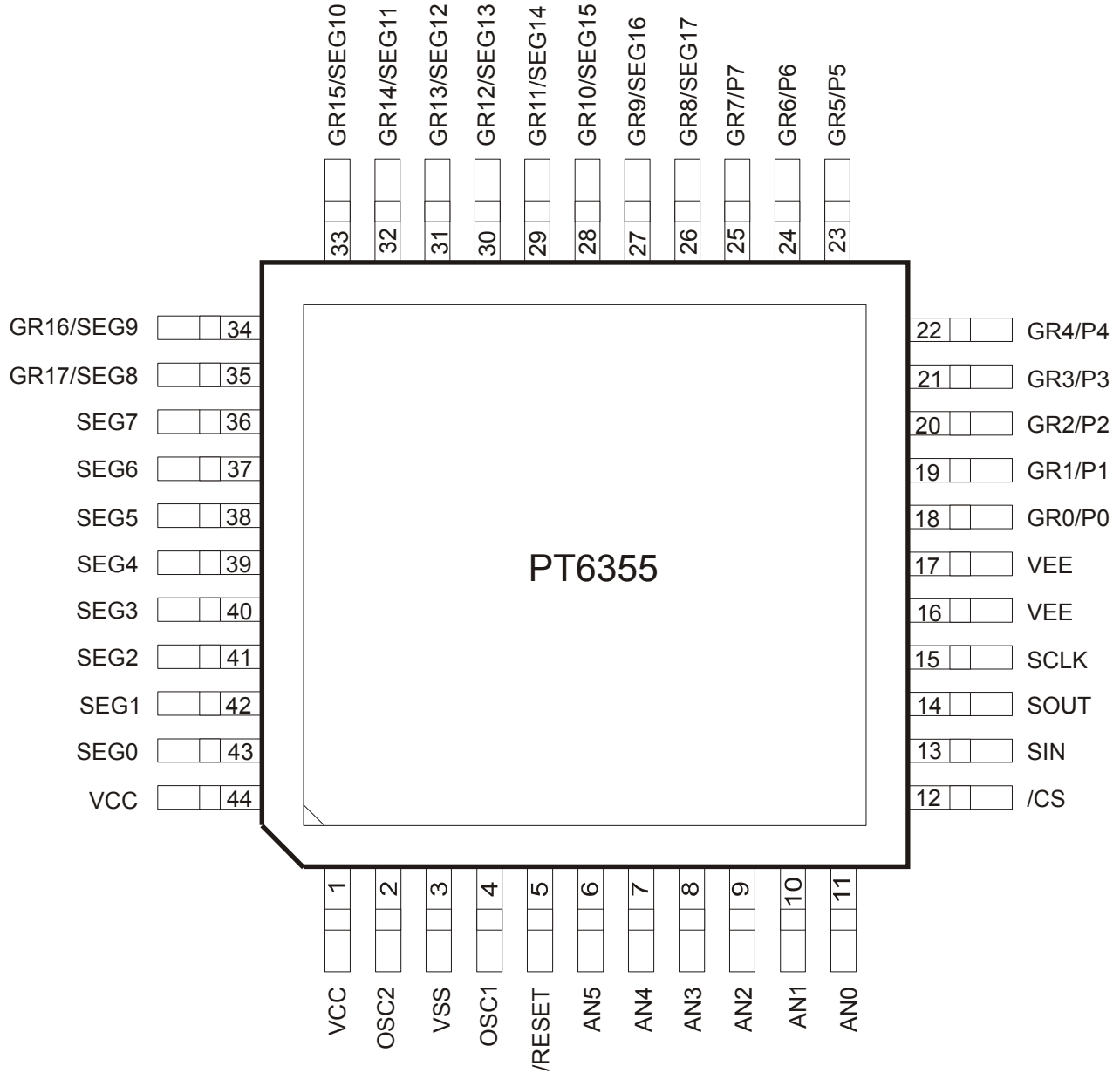
- CMOS Technology
- Internal Pull-Low Resistor
- 4-Step Dimming Circuitry
- 8 to 18 Segment Outputs
- 7 to 10 Grid Outputs
- Built-in Noise Filter in Serial Clock and Serial Input Pins with 2MHz sampling
- 8-bit x 6 channels Analog-to-Digital Converter with + 3LSB Accuracy
- Available in 44-pin, LQFP Package

APPLICATION

- Micro-Computer Peripheral Device

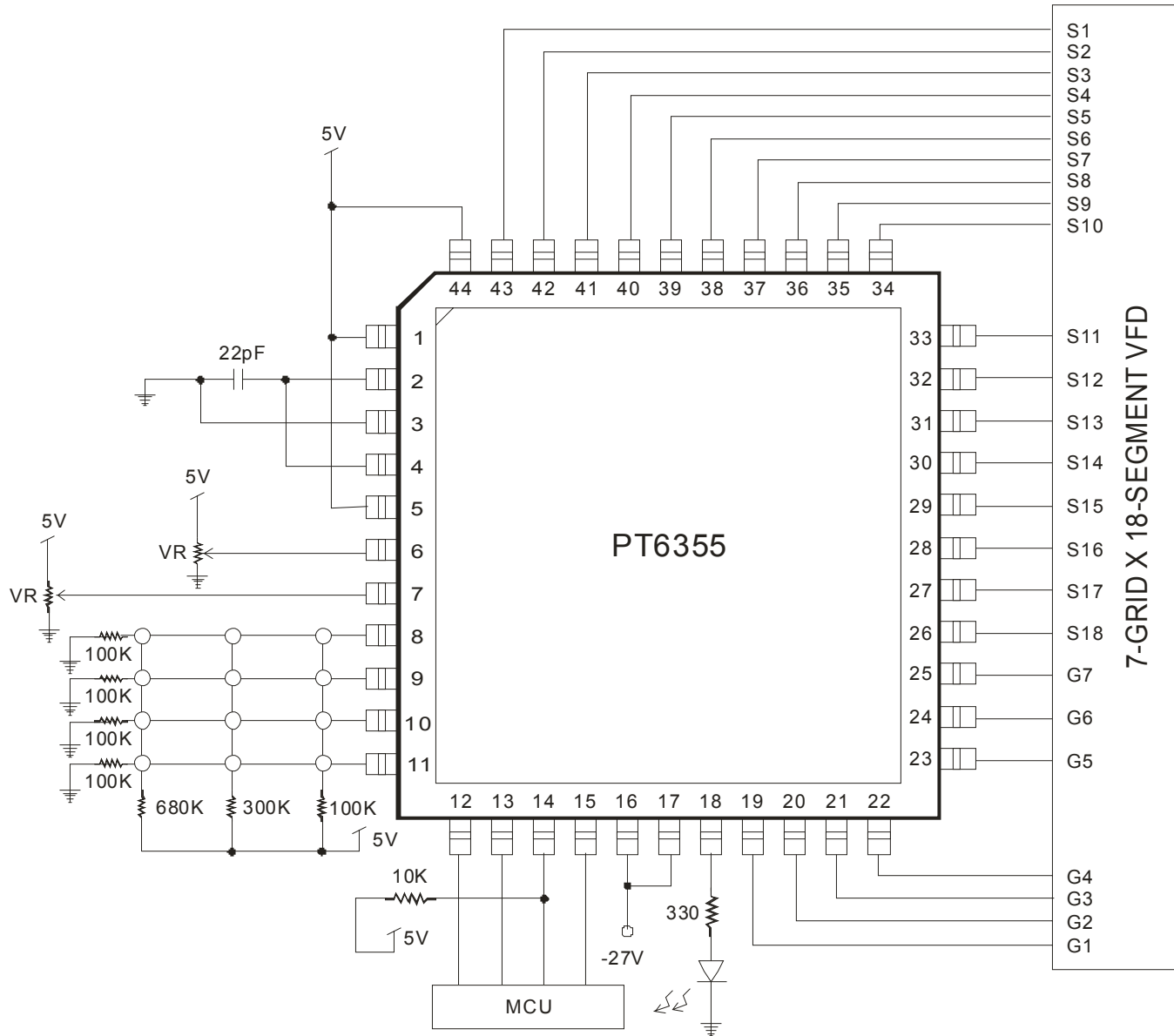


PIN CONFIGURATION





APPLICATION CIRCUIT





ORDER INFORMATION

Order Part Number	Package Type	Top Code
PT6355	44 Pins, LQFP	PT6355
PT6355 (L)	44 Pins, LQFP	PT6355

Notes:

1. (L), (C) or (S) = Lead Free.
2. The Lead Free mark is put in front of the date code.