



DESCRIPTION

PT6314 is a VFD Controller/Driver IC utilizing CMOS technology providing 80 segment outputs and 24 grid outputs. It supports dot matrix displays of up to 16 columns x 2 lines, 20 columns x 2 lines or 24 columns x 2 lines. PT6314 also features a character generator ROM which stores 240 x 5 x 8 dos characters. Pin assignments and application circuits are optimized for easy PCB layout and cost saving advantages.

FEATURES

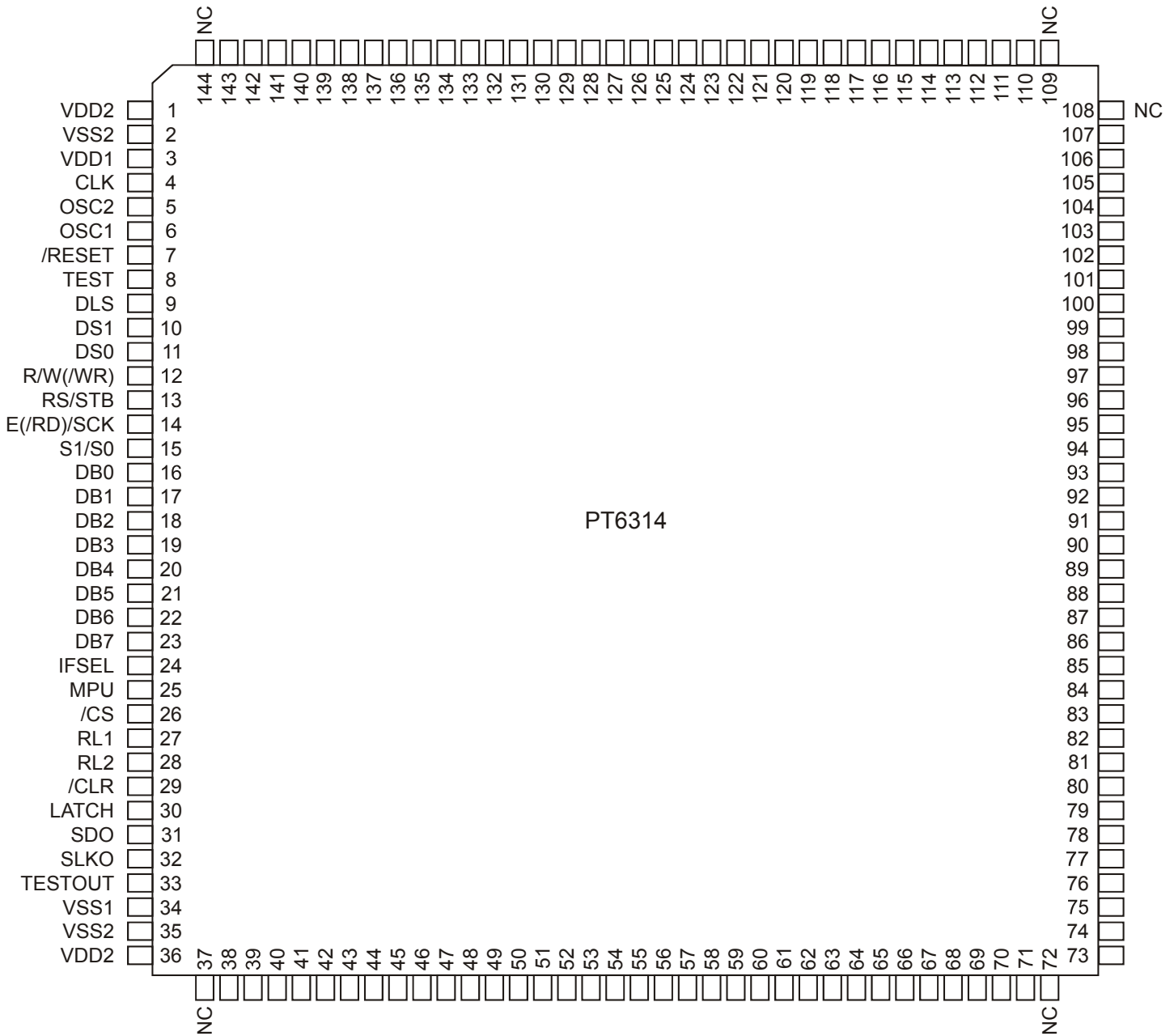
- CMOS technology
- Provides up to 80 x 8 display RAM
- Capable of driving segment for cursor displays (48 units)
- Built-in oscillation circuit
- Parallel data input/output (switchable 4 or 8 bits) or serial data input/output
- Alphanumeric and symbolic display via the built-in ROM (5 x 8 dots): 240 characters
- Eight user-defined 5 x 8 dot character CGRAM
- Display contents capability:
 - 16 columns x 2(1) rows + 32(16) cursors
 - 20 columns x 2(1) rows + 40(20) cursors
 - 24 columns x 2(1) rows + 48(24) cursors
- Custom ROM available (please contact PTC)

APPLICATIONS

- Electronic equipment with VFD display
- Microprocessor peripherals



PIN CONFIGURATION

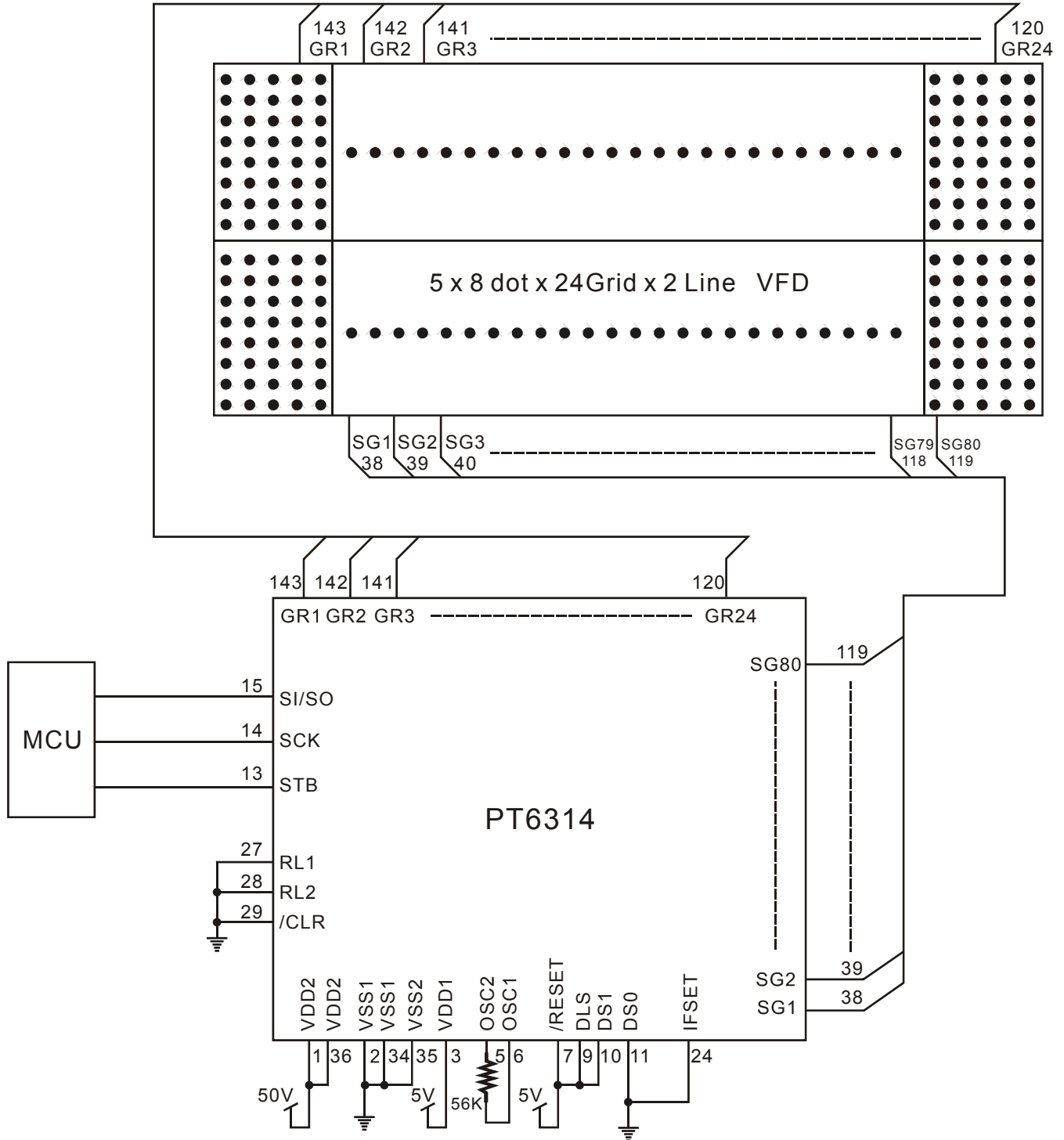


Note:

Pin No. 38 to 71, 73 to 107, 110 to 119 are used as Segment Signal Output Pins, Pin No.120 to 143 are used as Grid Signal Output Pins and are configured according to the Tables shown in the Duty Ratio Setting Section (see pages 7 to 13).



APPLICATION CIRCUIT 1: SERIAL INTERFACE





ORDERING INFORMATION

Order Part Number	Package Type	Top Code
PT6314-001 (L)	144 Pins, LQFP	PT6314-001
PT6314-002 (L)	144 Pins, LQFP	PT6314-002
PT6314-007(L)	144 Pins, LQFP	PT6314-007
PT6314-008 (L)	144 Pins, LQFP	PT6314-008

Notes:

1. (L), (C) or (S) =Lead Free.
2. The Lead Free mark is put in front of the date code.