



DESCRIPTION

PT6553 is an LCD Driver IC providing key scan circuitry which can accept up to a maximum of 30 keys, thereby, reducing printed circuit board wiring. It can drive up to 126 segments and is capable of controlling up to 4 general purpose output ports. The reset circuit provides on-chip voltage detection making it possible to prevent incorrect displays. Pin assignments and application circuit are optimized for easy PCB layout and cost saving advantages.

FEATURES

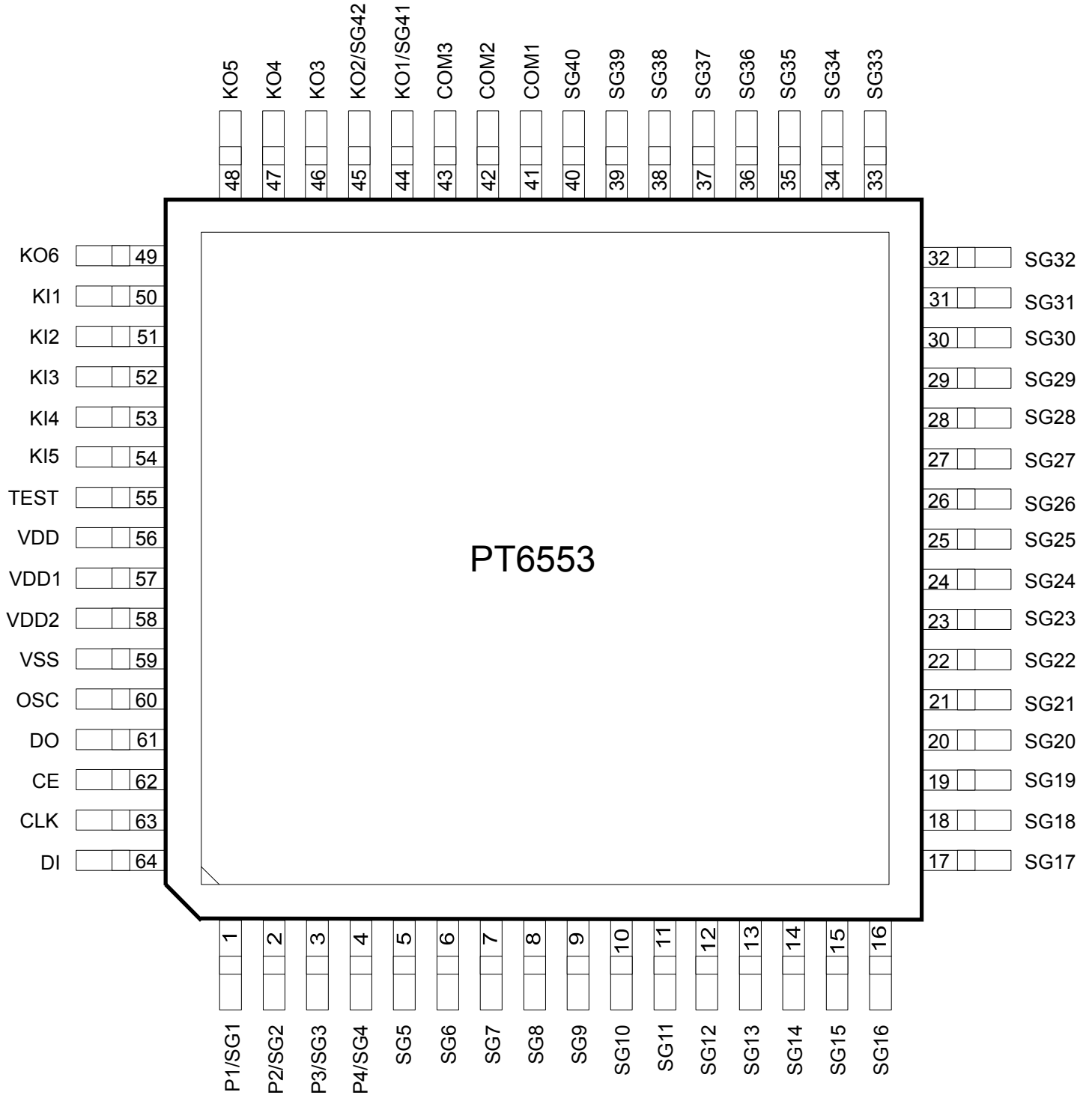
- Up to 126 segments outputs
- Up to 4 general purpose output ports
- Key input function (up to 30 Keys)
- 1/3 duty - 1/2 bias and 1/3 duty - 1/3 bias drive techniques
- Sleep mode and all segments off function
- Direct display of display data without using a decoder
- On-chip voltage-detection type reset circuit
- RC oscillation circuit

APPLICATIONS

- Cellular phone
- Data bank, Organizer
- Electronic dictionary/Translator
- P.D.A.
- P.O.S.
- Information appliance
- Caller ID
- Pager
- Electronic equipment with LCD display



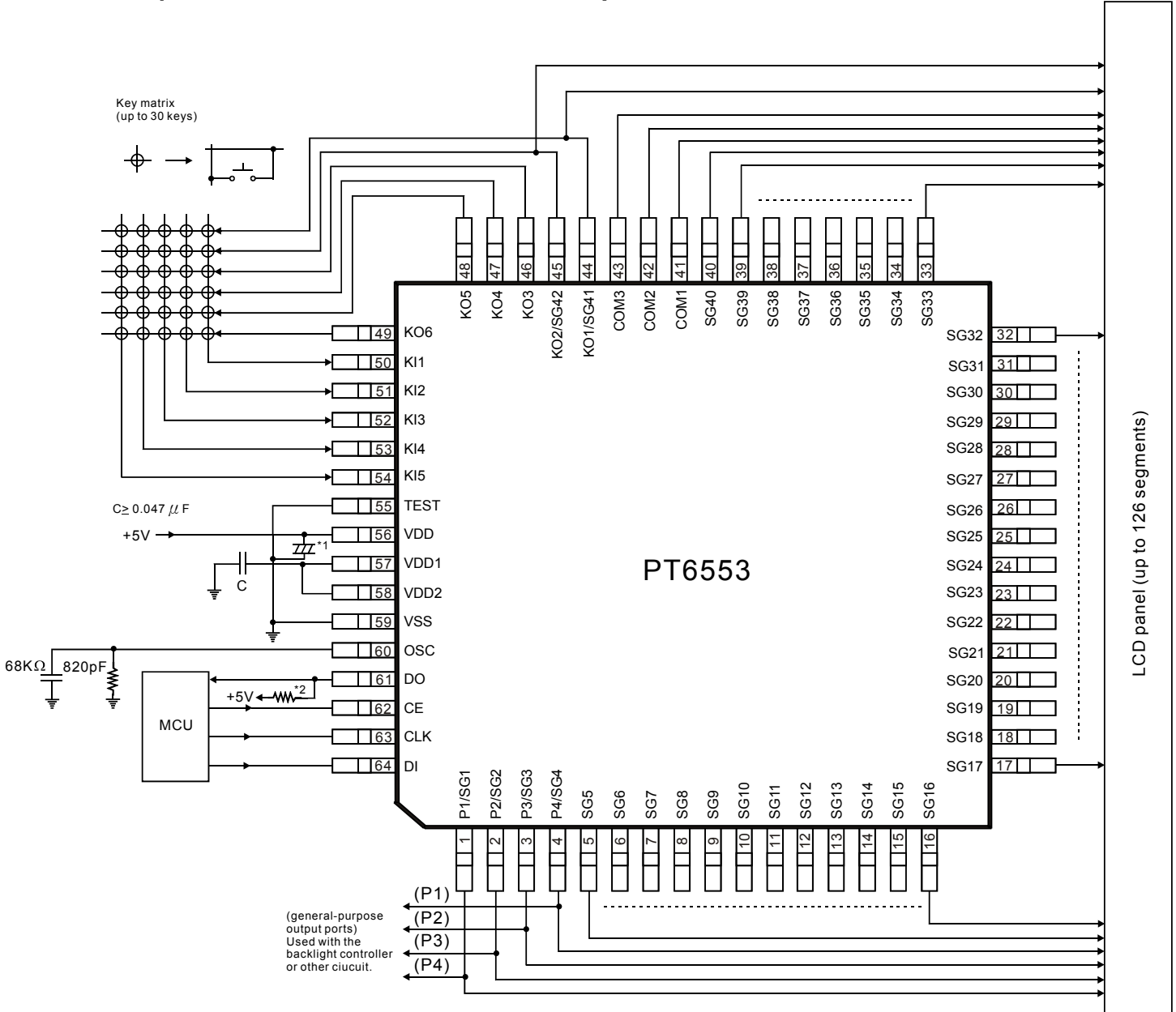
PIN CONFIGURATION





APPLICATION CIRCUIT 1

1/2 BIAS (FOR NORMAL PANEL USE)



Notes:

1. Connect a capacitor to the power supply line so that when the PT6553 is reset by the V_{DET} , the power supply V_{DD} rise time when power is applied and the power supply voltage V_{DD} fall time when power drops are both at least 1ms.
2. Since the DO Pin is an open drain output, it needs a pull-up resistor (1K to 10KΩ) which is appropriate for the capacitance of the external wiring so that the waveforms are not degraded.



ORDER INFORMATION

Valid Part Number	Package Type	Top Code
PT6553-Q (L)	64 Pins, QFP	PT6553-Q
PT6553-LQ (L)	64 Pins, LQFP	PT6553-LQ

Notes:

1. (L), (C) or (S) = Lead Free.
2. The Lead Free mark is put in front of the date code.