



DESCRIPTION

PT6523 is an LCD Driver IC which can drive up to 156 segments. It can be used for frequency display in microprocessor-controlled radio receiver and in other display applications. PT6523 supports both 1/2 bias, 1/3 duty and 1/3 duty, 1/3 bias. Pin assignments and application circuit are optimized for easy PCB layout and cost saving advantages.

FEATURES

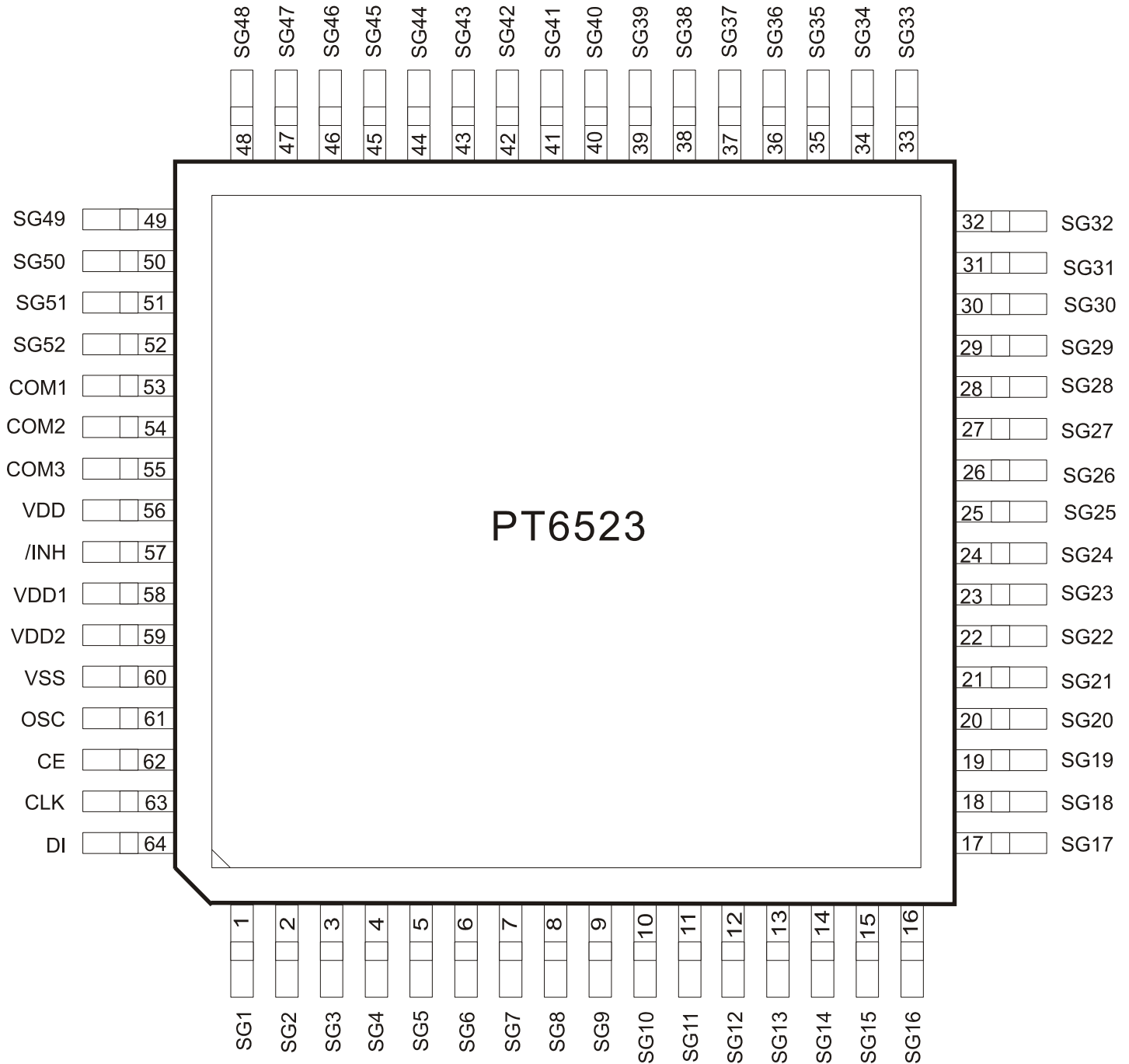
- Up to 156 Segments Outputs
- 1/3 Duty - 1/2 Bias and 1/3 Duty - 1/3 Bias Drive Techniques
- Power Saving Mode and all Segments OFF Function
- Direct Display of Display Data without using a Decoder
- RC Oscillation Circuit
- Power Supply Voltage: 4.5 to 6V
- LCD Drive Bias Voltage can be provided internally or externally
- Available in 64 pins LQFP

APPLICATIONS

- Electronic Dictionary / Translator
- P.O.S.
- Caller ID
- Pager
- Mini Compo
- Electronic Equipment with LCD Display



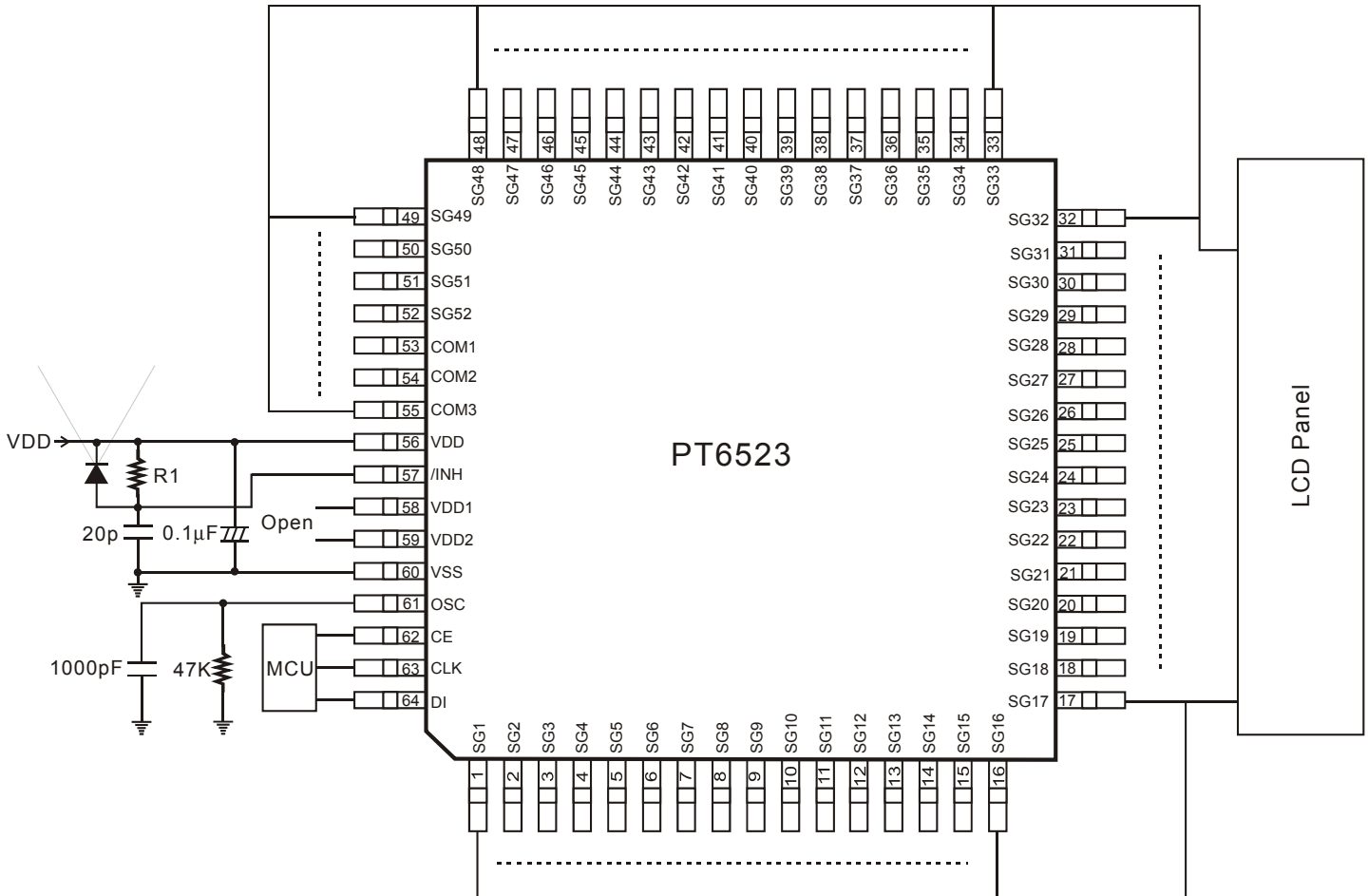
PIN CONFIGURATION





APPLICATION CIRCUITS

1/3 BIAS (FOR SMALL DISPLAY PANEL)



Note:

1. $39K\Omega \geq R1 \geq 10K\Omega$



ORDER INFORMATION

Valid Part Number	Package Type	Top Code
PT6523-HQ(L)	64 Pins, LQFP(14x14mm)	PT6523-HQ
PT6523-LQ (L)	64 Pins, LQFP(10x10mm)	PT6523-LQ

Notes:

1. (L), (C) or (S) = Lead Free.
2. The Lead Free mark is put in front of the date code.