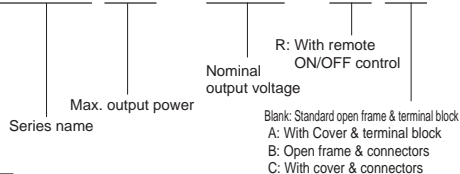


CE marked for Low Voltage Directive

### Model name

**JWT75 - 522 /**



### Features

- CE marking  
Meet to Low Voltage Directive: Approved by EN60950
- Machinery Directive (Approved by VDE0160)
- Power Factor & Harmonic Correction (Built to meet EN61000-3-2)
- Universal Input (85 ~ 265VAC)
- EMI (Built to meet EN55011-B, EN55022-B, VCCI-B, FCC-B)
- Remote ON/OFF control (Optional model)

### Specifications

|                             |   |
|-----------------------------|---|
| 1. Input voltage range      | 85 ~ 265VAC (47 ~ 63Hz) Universal input   |
| 2. Power Factor             | 0.99 (typ) at 100VAC Full load, 0.93 (typ) at 200VAC Full load  |
| 3. Cooling                  | Convection cooling  |
| 4. Operating Temperature    | Open frame type: -10 ~ +65°C (-10 ~ +50°C: 100%, +65°C: 50%)<br>JWT75 with cover type: -10 ~ +55°C (-10 ~ +45°C: 100%, +55°C: 60%)<br>JWT100 with cover type: -10 ~ +50°C (-10 ~ +40°C: 100%, +50°C: 60%) |
| 5. Withstand voltage        | Input to output: 3kVAC (20mA) for 1 min., Input to FG: 2kVAC (20mA) for 1 min.<br>Output to FG: 500VAC (100mA) for 1 min.   |
| 6. Conducted emission noise | Built to meet EN55011-B, EN55022-B, FCC class B, VCC I class B  |
| 7. Radiated emission noise  | Built to meet EN55011-B, EN55022-B, FCC class B, VCC I class B  |
| 8. PFHC                     | Built to meet EN61000-3-2   |
| 9. Safety standard          | Approved to UL1950 , CSA950(C-UL) , EN60950 (TUV)  and VDE0160(TUV)   |
| 10. Functions               | OVP (V1 only), OCP  |
| 11. Option                  | Remote ON/OFF control, Cover, Input & output connector terminals  |

### Line-up

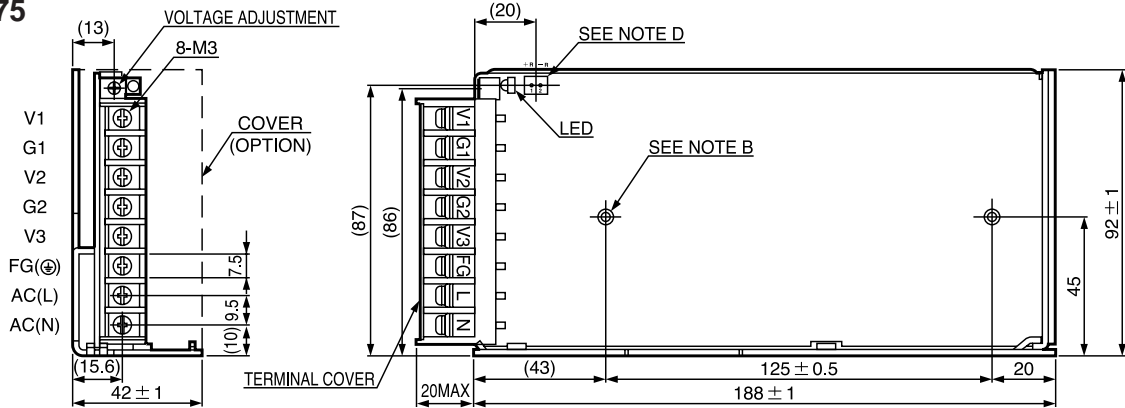
| Model  |            | Output Channel | Output Voltage | Output Current | Output Power/ch | Total output Power | Safety Standard |        |        |
|--------|------------|----------------|----------------|----------------|-----------------|--------------------|-----------------|--------|--------|
|        |            |                |                |                |                 |                    | EN60950         | UL1950 | CSA950 |
| JWT75  | JWT75-522  | CH1(V1)        | 5V             | 0.8 ~ 8.0A     | 40W             | 75W                | ○               | ○      | ○      |
|        |            | CH2(V2)        | +12V           | 0 ~ 4.0A       | 48W             |                    |                 |        |        |
|        |            | CH3(V3)        | -12V           | 0 ~ 0.5A       | 6W              |                    |                 |        |        |
|        | JWT75-5FF  | CH1(V1)        | 5V             | 0.8 ~ 8.0A     | 40W             | 75W                | ○               | ○      | ○      |
|        |            | CH2(V2)        | +15V           | 0 ~ 3.2A       | 48W             |                    |                 |        |        |
|        |            | CH3(V3)        | -15V           | 0 ~ 0.5A       | 7.5W            |                    |                 |        |        |
|        | JWT75-525  | CH1(V1)        | 5V             | 0.8 ~ 8.0A     | 40W             | 75W                | ○               | ○      | ○      |
|        |            | CH2(V2)        | +12V           | 0 ~ 4.0A       | 48W             |                    |                 |        |        |
|        |            | CH3(V3)        | -5V            | 0 ~ 0.5A       | 2.5W            |                    |                 |        |        |
| JWT100 | JWT100-522 | CH1(V1)        | 5V             | 1.3 ~ 13.0A    | 65W             | 100W               | ○               | ○      | ○      |
|        |            | CH2(V2)        | +12V           | 0 ~ 5.5A       | 66W             |                    |                 |        |        |
|        |            | CH3(V3)        | -12V           | 0 ~ 1.0A       | 12W             |                    |                 |        |        |
|        | JWT100-5FF | CH1(V1)        | 5V             | 1.3 ~ 13.0A    | 65W             | 100W               | ○               | ○      | ○      |
|        |            | CH2(V2)        | +15V           | 0 ~ 4.5A       | 67.5W           |                    |                 |        |        |
|        |            | CH3(V3)        | -15V           | 0 ~ 1.0A       | 15W             |                    |                 |        |        |
|        | JWT100-525 | CH1(V1)        | 5V             | 1.3 ~ 13.0A    | 65W             | 100W               | ○               | ○      | ○      |
|        |            | CH2(V2)        | +12V           | 0 ~ 5.5A       | 66W             |                    |                 |        |        |
|        |            | CH3(V3)        | -5V            | 0 ~ 1.0A       | 5W              |                    |                 |        |        |

\*Preload required 0.8A(ch1) on JWT75, 1.3A(ch1) on JWT100.

○ : Safety standard approved

## Outline drawing

### JWT75

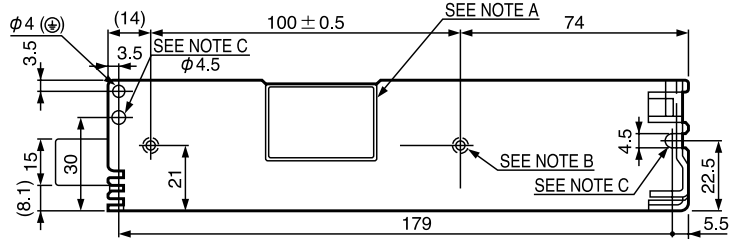


#### NOTES

- A: MODEL NAME, OPTION, INPUT VOLTAGE RANGE, NOMINAL OUTPUT VOLTAGE, MAXIMUM OUTPUT CURRENT AND COUNTRY OF MANUFACTURE ARE SHOWN HERE IN ACCORDANCE WITH THE SPECIFICATIONS.
- B: M4 EMBOSSED, TAPPED AND COUNTERSUNK HOLES (4) FOR CUSTOMER CHASSIS MOUNTING. SCREWS MUST NOT PROTRUDE INTO POWER SUPPLY BY MORE THAN 6m/m.
- C:  $\phi 4.5$  HOLE FOR CUSTOMER CHASSIS MOUNTING. (USE M4 MOUNTING SCREW.)
- D: REMOTE ON/OFF CONTROL CONNECTOR — OPTION B2B-XH-AM (JST)

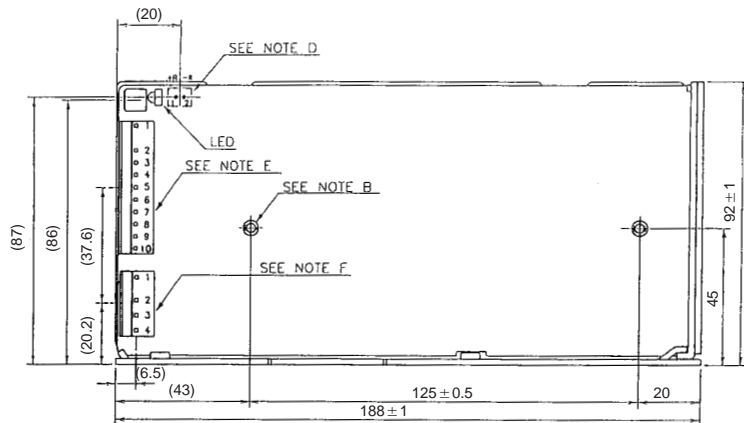
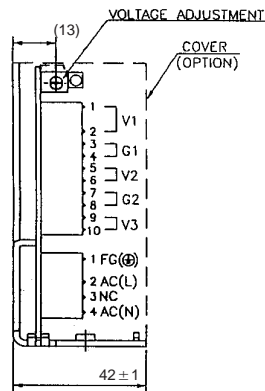
#### ACCESSORIES

- \* COVER FOR BARRIER STRIP TERMINAL
- \* HOUSING: XHP-2 (JST), TERMINAL: BXH-001T-P0.6 (JST) OR SXH-001T-P0.6 (JST) — OPTION



(Unit: mm)

### JWT75 (Connector terminal type)



#### NOTES

- A: MODEL NAME, OPTION, INPUT VOLTAGE RANGE, NOMINAL OUTPUT VOLTAGE, MAXIMUM OUTPUT CURRENT AND COUNTRY OF MANUFACTURE ARE SHOWN HERE IN ACCORDANCE WITH THE SPECIFICATIONS.
- B: M4 EMBOSSED, TAPPED AND COUNTERSUNK HOLES (4) FOR CUSTOMER CHASSIS MOUNTING. SCREWS MUST NOT PROTRUDE INTO POWER SUPPLY BY MORE THAN 6m/m.
- C:  $\phi 4.5$  HOLE FOR CUSTOMER CHASSIS MOUNTING. (USE M4 MOUNTING SCREW.)
- D: REMOTE ON/OFF CONTROL CONNECTOR — OPTION B2B-XH-AM (JST)
- E: CONNECTOR: 5277-10A (MOLEX)
- F: CONNECTOR: 5289-4A (MOLEX)

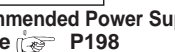
#### ACCESSORIES

- \* HOUSING: 5196-10 (MOLEX), TERMINAL: 5194PBT (MOLEX)
- \* HOUSING: 5199-04 (MOLEX), TERMINAL: 5194PBT (MOLEX)
- \* HOUSING: XHP-2 (JST), TERMINAL: BXH-001T-P0.6 (JST) OR SXH-001T-P0.6 (JST) — OPTION

#### Recommended Noise Filter

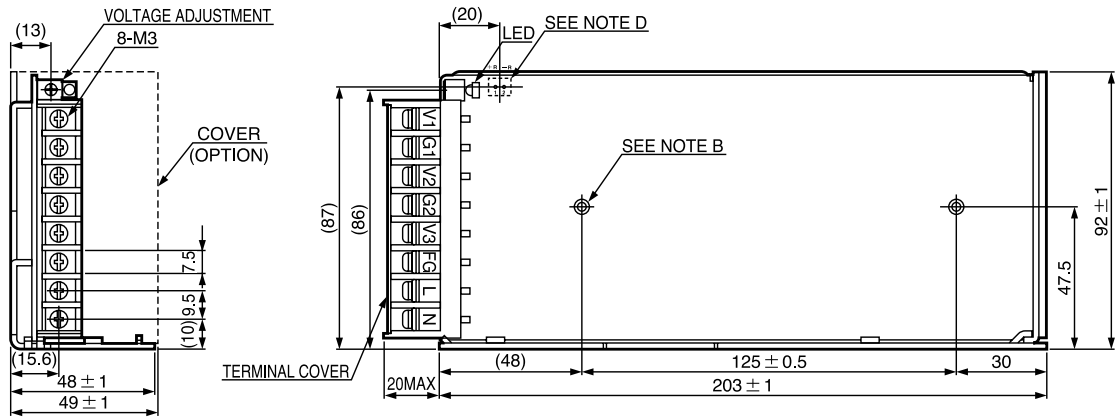


#### Recommended Power Supply Fixture



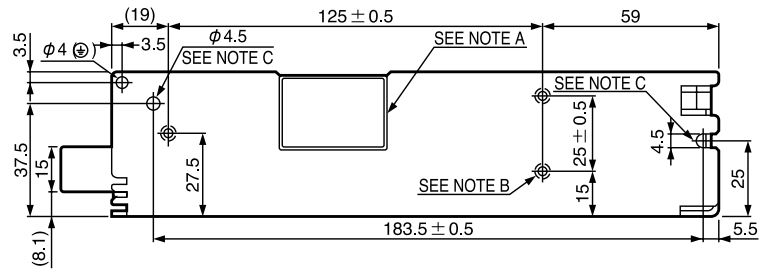
(Unit: mm)

## JWT100



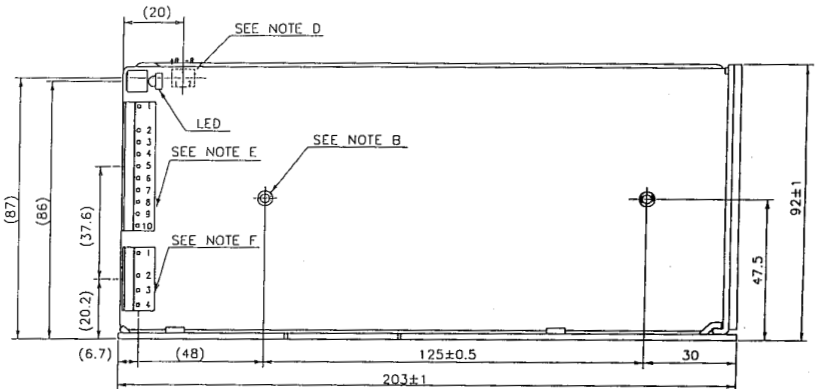
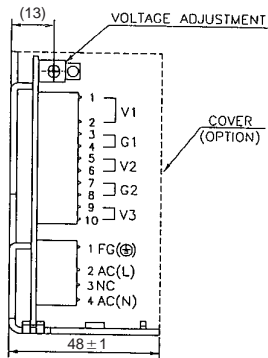
### NOTES

- A: MODEL NAME, OPTION, INPUT VOLTAGE RANGE, NOMINAL OUTPUT VOLTAGE, MAXIMUM OUTPUT CURRENT AND COUNTRY OF MANUFACTURE ARE SHOWN HERE IN ACCORDANCE WITH THE SPECIFICATIONS.  
 B: M4 EMBOSSED, TAPPED AND COUNTERSUNK HOLES (5) FOR CUSTOMER CHASSIS MOUNTING. SCREWS MUST NOT PROTRUDE INTO POWER SUPPLY BY MORE THAN 6mm.  
 C:  $\phi 4.5$  HOLE FOR CUSTOMER CHASSIS MOUNTING. (USE M4 MOUNTING SCREW.)  
 D: REMOTE ON/OFF CONTROL CONNECTOR -- OPTION B2B-XH-A (JST)  
 ACCESSORIES  
 \* COVER FOR BARRIER STRIP TERMINAL  
 \* HOUSING: XHP-2 (JST), TERMINAL: BXH-001T-P0.6 (JST) OR SXH-001T-P0.6 (JST) -- OPTION



(Unit: mm)

## JWT100 (Connector terminal type)

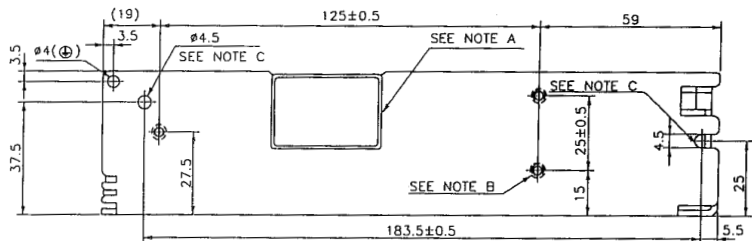


### NOTES

- A: MODEL NAME, OPTION, INPUT VOLTAGE RANGE, NOMINAL OUTPUT VOLTAGE, MAXIMUM OUTPUT CURRENT AND COUNTRY OF MANUFACTURE ARE SHOWN HERE IN ACCORDANCE WITH THE SPECIFICATIONS.  
 B: M4 EMBOSSED, TAPPED AND COUNTERSUNK HOLES (5) FOR CUSTOMER CHASSIS MOUNTING. SCREWS MUST NOT PROTRUDE INTO POWER SUPPLY BY MORE THAN 6mm.  
 C:  $\phi 4.5$  HOLE FOR CUSTOMER CHASSIS MOUNTING. (USE M4 MOUNTING SCREW.)  
 D: REMOTE ON/OFF CONTROL CONNECTOR -- OPTION B2B-XH-AM (JST)  
 E: CONNECTOR: 5277-10A (MOLEX)  
 F: CONNECTOR: 5289-4A (MOLEX)

### ACCESSORIES

- HOUSING: 5196-10 (MOLEX), TERMINAL: 5194PBT (MOLEX)
- HOUSING: 5199-04 (MOLEX), TERMINAL: 5194PBT (MOLEX)
- HOUSING: XHP-2 (JST), TERMINAL: BXH-001T-P0.6 (JST) OR SXH-001T-P0.6 (JST) -- OPTION



(Unit: mm)

### Recommended Noise Filter

MAW-1202-22



P134

### Recommended Power Supply Fixture

P198