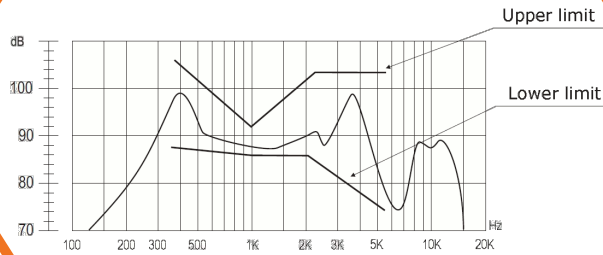
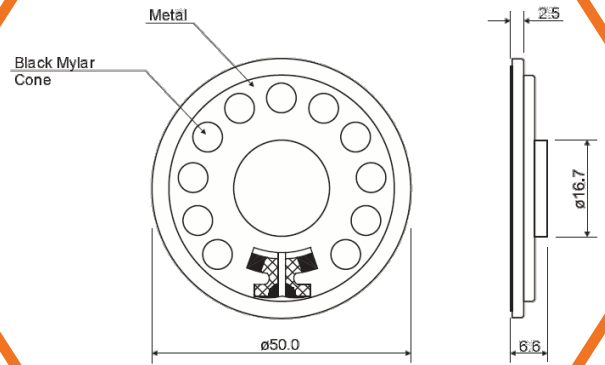


SoniCrest SPEAKER SOUND GENERATORS

HSB50G



Dimensions
Unit : mm
Tolerance : ± 0.3 mm

Frequency Response
Normalization to 0.1W Input Power and
0.1m Measuring Distance

Specification (all data taken at 25°C unless otherwise specified)

Coil Impedance (Ω)	Rated Power (W)	Maximum Input Power (W)	Resonance Frequency (Hz)	*Frequency Range (Hz)	*Sound Pressure Level at 1KHz (dB)	Operating Temperature ($^{\circ}$ C)	Storage Temperature ($^{\circ}$ C)
$8 \pm 15\%$	0.25	0.5	$400 \pm 25\%$	400 ~ 4500	89 ± 3	-20 ~ +60	-30 ~ +60

HSB50G-8

The specification are only for 8 Ω version. Specification for other impedance is available upon request.
*Value normalized to 0.1W input power and 0.1m measuring distance.

www.jlworld.com