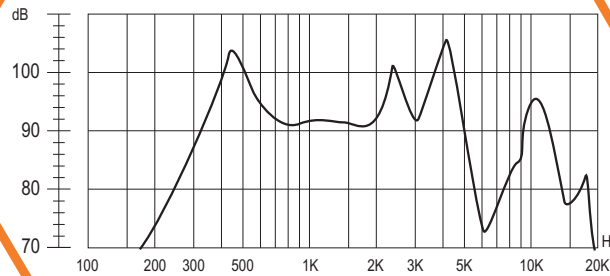
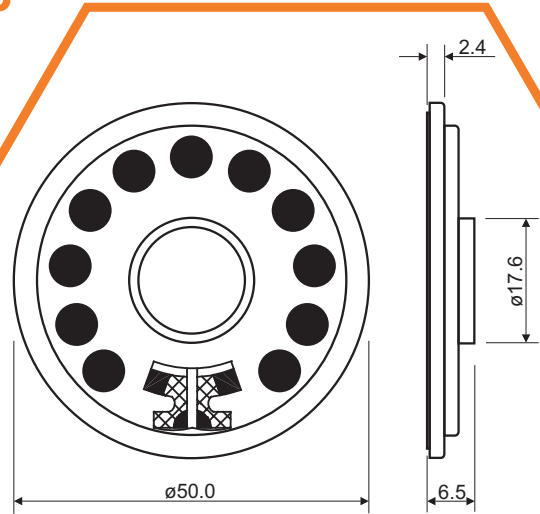


SoniCrest SPEAKER SOUND GENERATORS

HSB50K



Dimension

Unit : mm
Tolerance : $\pm 0.3\text{mm}$

Frequency Response

Normalized to 0.25W Input Power and
0.1m Measuring Distance

Specification (all data taken at 25°C unless otherwise specified)

Coil Impedance (Ω)	Rated Power (W)	Maximum Input Power (W)	Resonance Frequency (Hz)	★Frequency Range (Hz)	★sound Output at 1kHz (dB)	Operating Temperature (°C)	Storage Temperature (°C)
16 \pm 15%	0.4	0.6	400 \pm 25%	400 ~ 4500	90 \pm 3	-20 ~ +60	-30 ~ +60

HSB50K-16

The specification are only for 16 Ω version. Specification for other impedance is available upon request.
★value normalized to 0.25W input power and 0.1m measuring distance.

www.jlworld.com