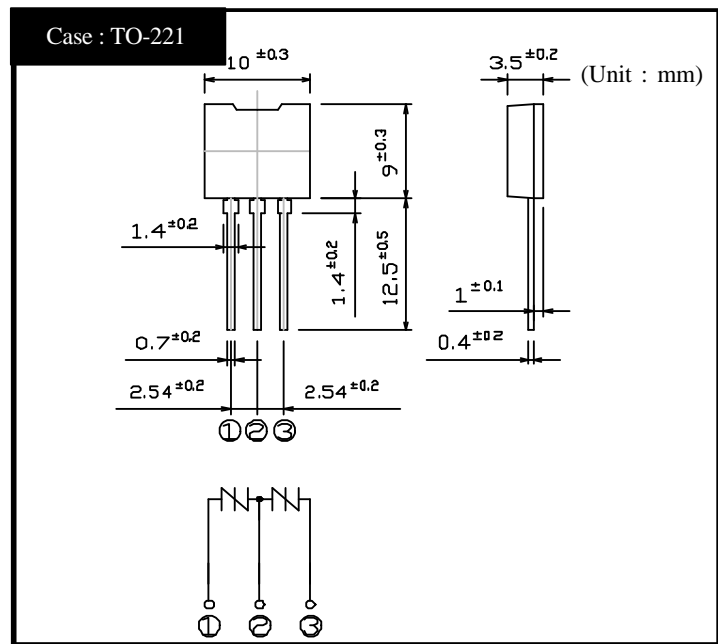


SHINDENGEN

TSS KT Series

KT10L08

OUTLINE DIMENSIONS



RATINGS

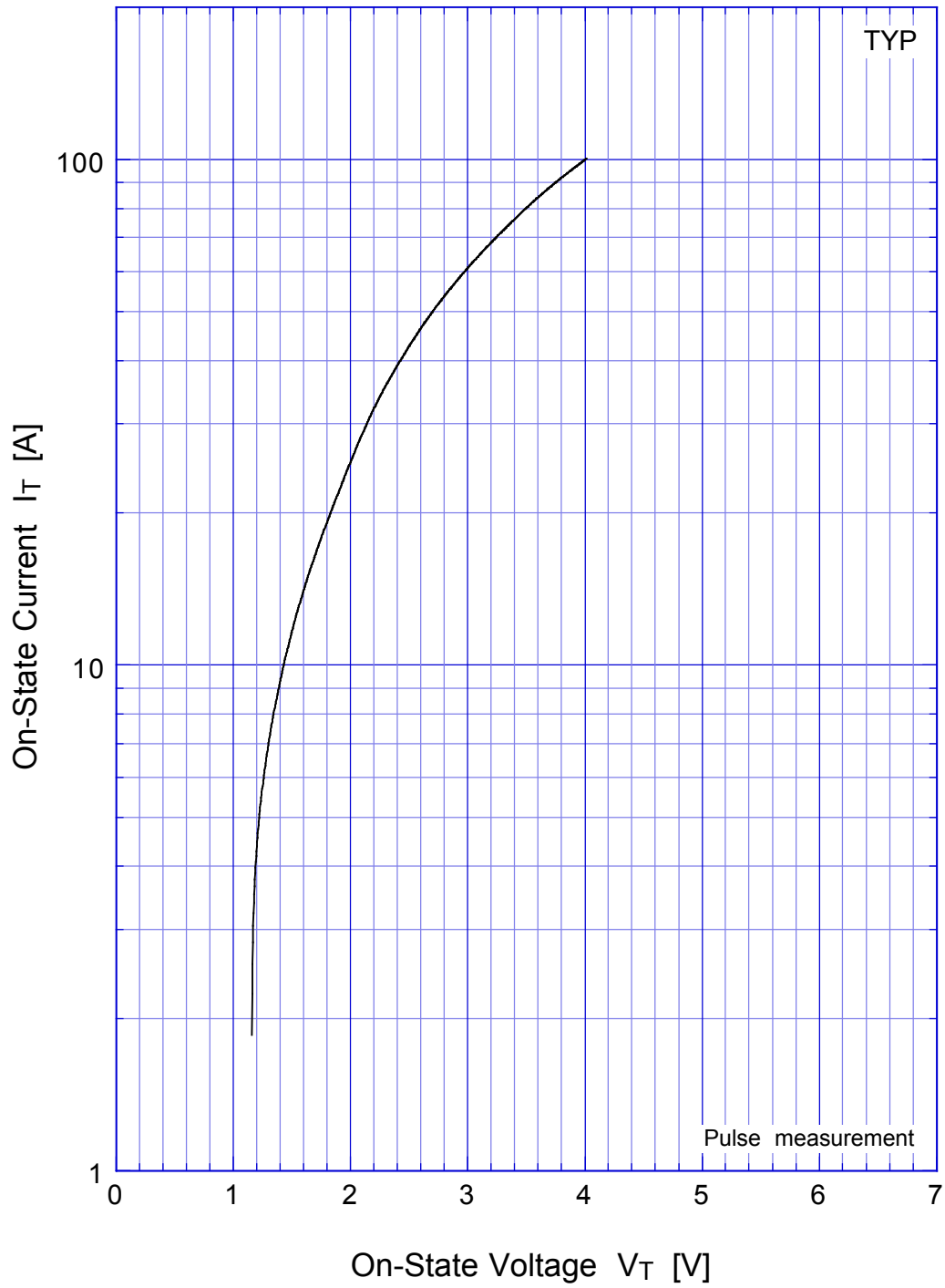
• Absolute Maximum Ratings

Item	Symbol	Conditions	Ratings	Unit
Storage Temperature	T _{stg}		-40 ~ 125	°C
Junction Temperature	T _j		125	°C
Maximum Off-State Voltage	V _{DRM}		63	V
Surge On-State Current	I _{TSM}	10/1000 f _{Es} , Non-repetitive	100	A
		10/200 f _{Es} , Non-repetitive	150	
		8/20 f _{Es} , Non-repetitive	250	

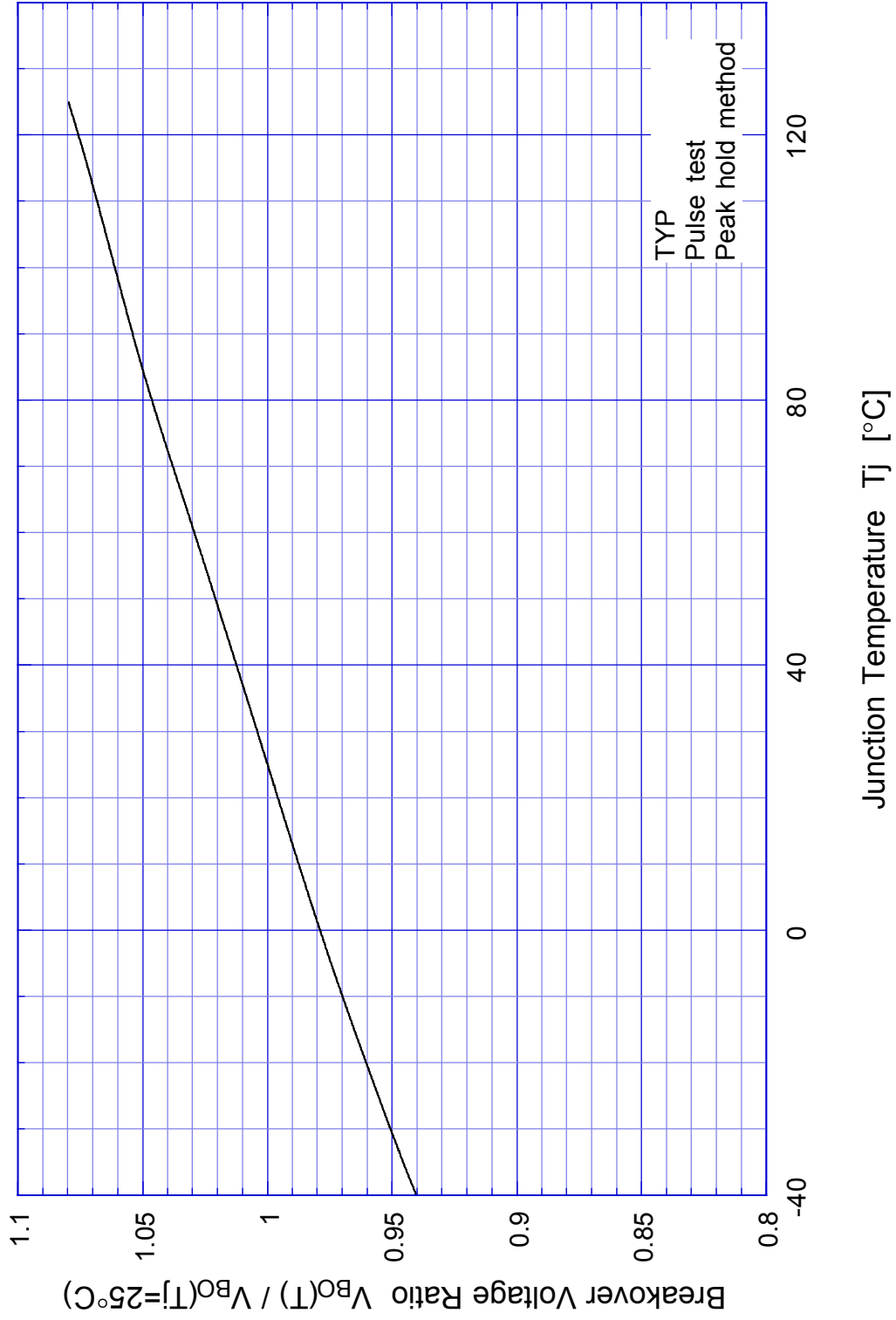
• Electrical Characteristics (T_l=25°C)

Item	Symbol	Conditions	Ratings	Unit
Breakover Voltage	V _{BO}	Pulse measurement (Peak hold)	Min 70	V
Off-State Current	I _{DRM}	V _D = V _{DRM}	Max 10	f _{EA}
Holding Current	I _H	Pulse measurement	Min 100	mA
On-State Voltage	V _T	I _T = 2A	TYP 1.15	V
Junction Capacitance	C _j	f = 1kHz OSC = 1V, V _D = 50V	Max 180	pF
Clamping Voltage	V _{CL}	dv/dt = 100V/f _{Es}	Max 100	V

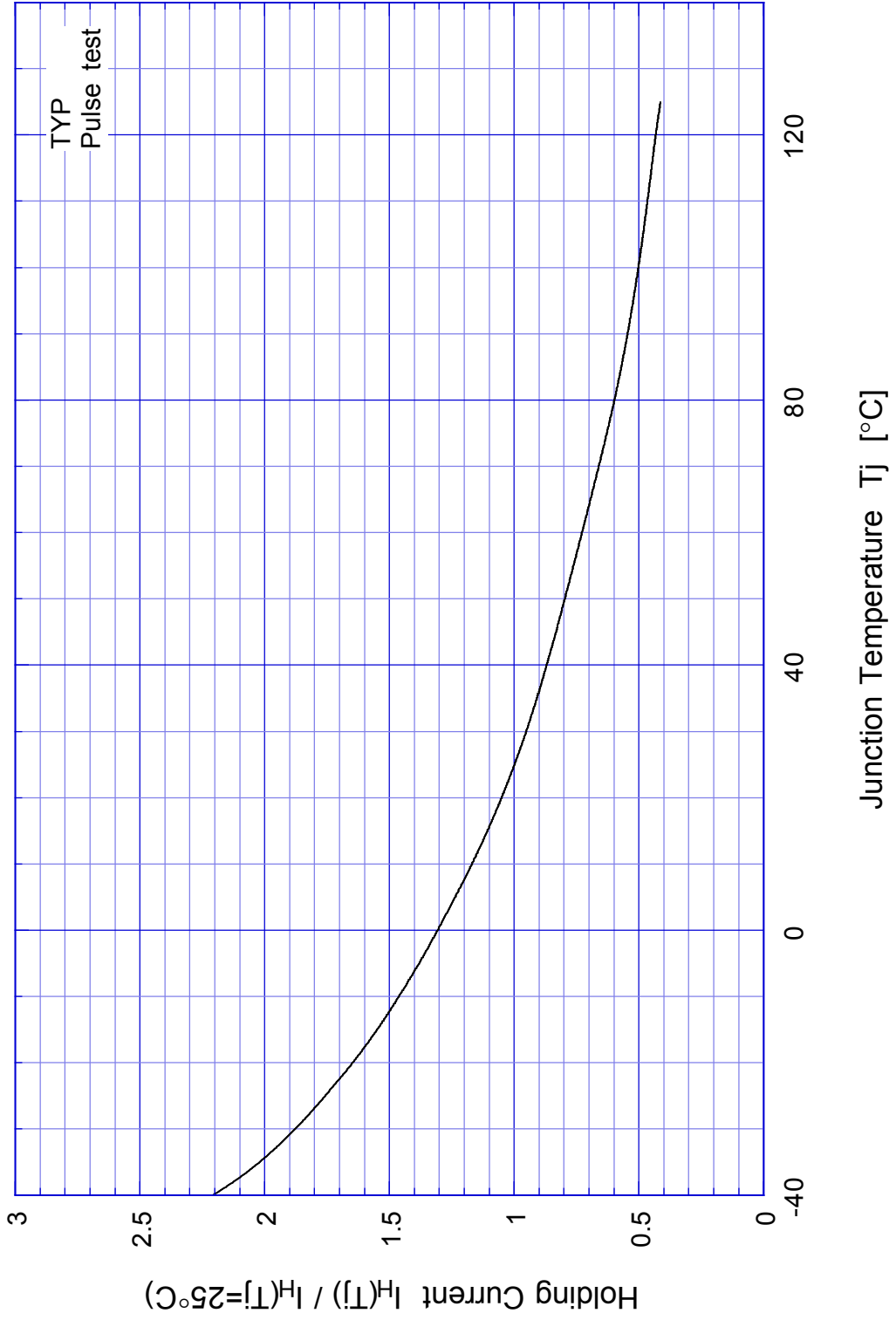
KT10L08 On-State Voltage - On-State Current

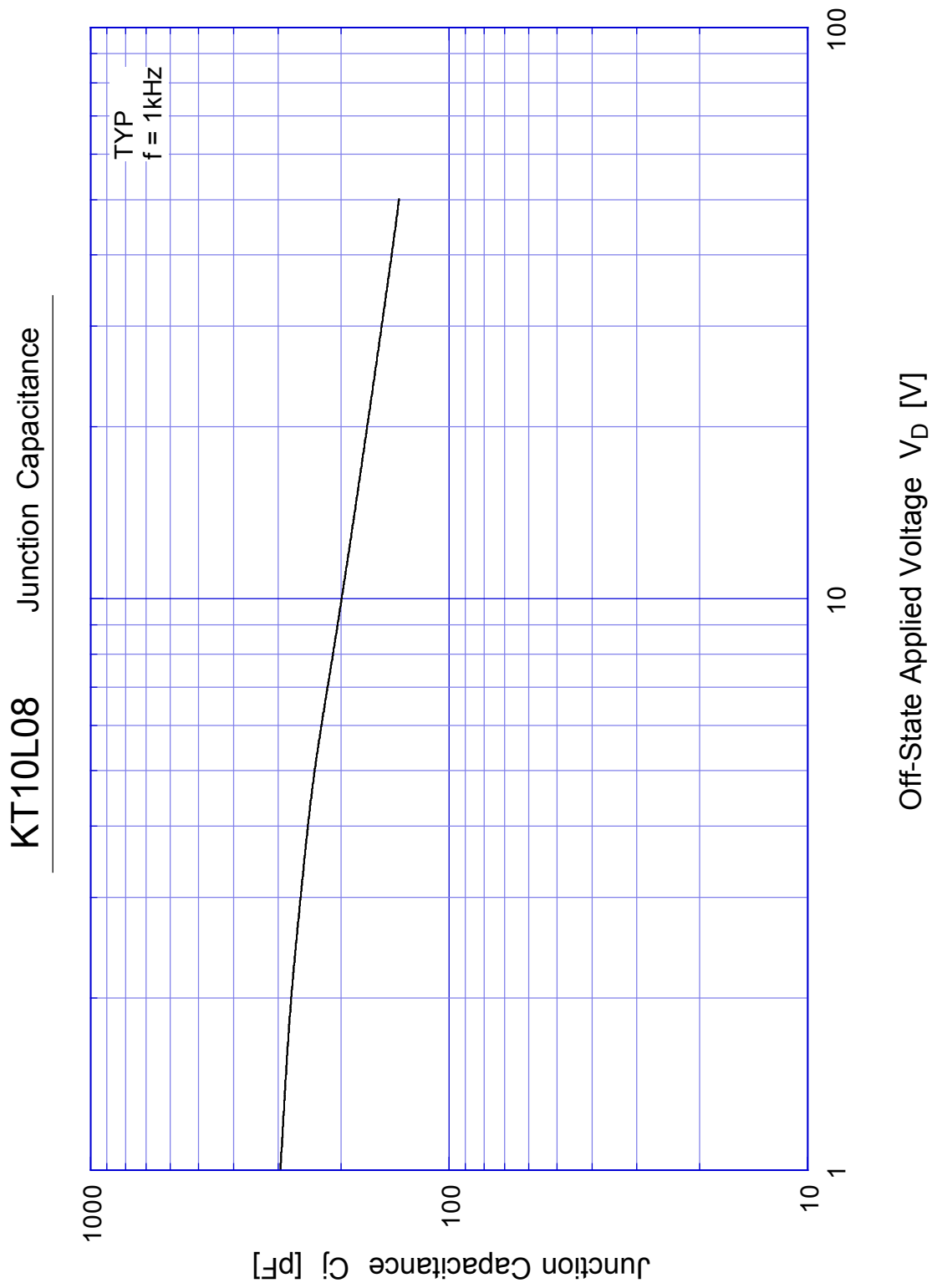


KT10L08 Breakover Voltage - Junction Temperature



KT10L08 Holding Current - Junction Temperature





KT10L08 Junction Capacitance

