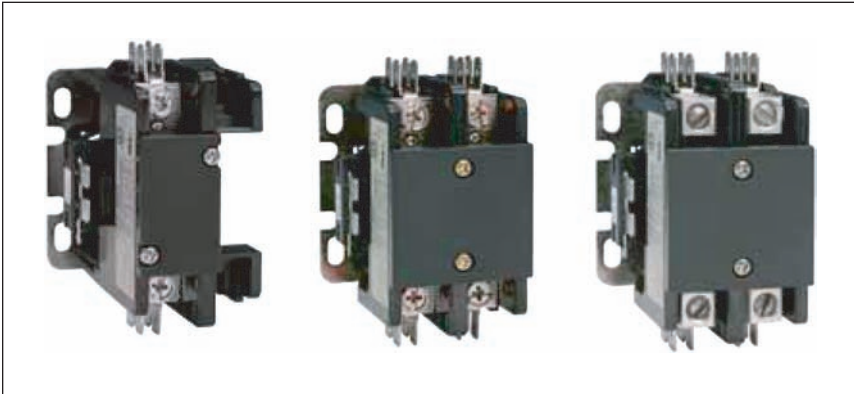


# Definite Purpose Contactors

## 1 pole, 1 pole + shunt, 2 pole

### Type CGDP



- Definite Purpose Contactor
- Switching up to 40A inductive, 50A resistive
- Coils up to 277VAC, 50/60 Hz
- cRUus, CSA, CE, and RoHS
- Faston (standard) or box lug terminals
- Cost effective

### Product Description

Power contactors specifically designed for the OEM when performance and cost must be optimized. Perfect choice for HVAC, lighting, pumps, compressors, pools, spas, welders etc.

### Ordering Key CGDP 20 20 LN F 5 S

Series	_____	_____	_____	_____	_____	_____
Pole Configuration	_____	_____	_____	_____	_____	_____
Amperage Rating	_____	_____	_____	_____	_____	_____
Power Terminals	_____	_____	_____	_____	_____	_____
Coil Voltage	_____	_____	_____	_____	_____	_____
Coil Frequency	_____	_____	_____	_____	_____	_____
Accessories	_____	_____	_____	_____	_____	_____

### Type Selection

<u>Series</u>	<u>Pole Configuration</u>	<u>Amperage Rating</u>	<u>Power Terminals</u>
<b>CGDP:</b> Definite Purpose Contactor	<b>10:</b> 1-pole <b>15:</b> 1-pole + shunt <b>20:</b> 2-pole	<b>20:</b> 20 A <b>25:</b> 25 A <b>30:</b> 30 A <b>40:</b> 40 A	<b>Blank:</b> Screw terminal, power and load side (standard) <b>N:</b> Without fast-on terminals <b>L:</b> Lug terminal, power and load side <b>LN:</b> Lug terminals without fast-on <b>M:</b> Power side screw, load side lug
<u>Coil Voltage</u> <b>B:</b> 24 VAC <b>F:</b> 120 VAC <b>K:</b> 208-240 VAC <b>Y:</b> 277 VAC	<u>Coil Frequency</u> <b>5:</b> 50/60 Hz	<u>Accessories</u> <b>Blank:</b> with arc cover (standard) <b>S:</b> without arc plate	

## Technical Specifications:

Catalogue Number		CGDP-1020	CGDP-1025	CGDP-1030	CGDP-1040					
	1 Pole									
	1 Pole + Shunt	CGDP-1520	CGDP-1525	CGDP-1530	CGDP-1540					
	2 Pole	CGDP-2020	CGDP-2025	CGDP-2030	CGDP-2040					
<b>Rated Insulation (Ui) and Operational Voltage (Ue) UL/IEC</b>	V	600/660V								
<b>Rated Initial Dielectric Strength</b>	V	2200V								
<b>Rated Thermal Current (Ith)</b>	V	30	35	40	50					
<b>ARI 780/790</b>	Full Load Amps (FLA)	A	20	25	30	40				
		240/277V	120	150	180	240				
	Locked Rotor Amps (LRA)A	480V	100	125	150	200				
		600V	80	100	120	160				
	Resistive Load Amps (RES)		30	35	40	50				
<b>UL508</b>	Full LoadAmps (FLA)	120V	HP	A	HP	A	HP	A	HP	A
		240/277V	1.5	20	2	24	2	24	3	34
	Single Phase	240/277V	3	17	5	28	5	28	7.5	40
<b>IEC 60947-1 and 60947-4-1 GB 14048.4 AC7a. AC8a</b>	Full Load Amps (FLA)A	220V	20		25		30		40	
		380V	20		25		30		40	
	Resistive Load Amps (RES) A		32		35		40		50	

## Coil Characteristics:

CGDP1020 to 1040, CGDP1520 to 1540:

Voltage Frequency	24V 50/60Hz		120V 50/60Hz		208-240V 50/60Hz		277V 60Hz
	50 Hz	60 Hz	50 Hz	60 Hz	50 Hz at 220V	60 Hz at 240V	60 Hz
<b>Pick-up Voltage</b>	Max. 75% of rated control voltage						
<b>Drop-out Voltage</b>	30 to 60% of rated control voltage						
<b>Inrush VA</b>	22.2	20.3	23	20.5	22.4	24	20
<b>Sealed VA</b>	7.4	5.3	7.4	5.1	7.3	6.7	5
<b>Sealed Watts</b>	3.3	2.4	3.4	2.4	3.5	3.1	2.5

## Coil Characteristics:

CGDP2020 to 2040:

Voltage Frequency	24V 50/60Hz		120V 50/60Hz		208-240V 50/60Hz		277V 60Hz
	50 Hz	60 Hz	50 Hz	60 Hz	50 Hz at 220V	60 Hz at 240V	60 Hz
	Max. 75% of rated control voltage						
Drop-out Voltage	30 to 60% of rated control voltage						
Inrush VA	30.2	27.5	34.2	3.1	35.2	37.2	31.6
Sealed VA	6.5	4.8	7.3	5.5	7.5	6.7	5.3
Sealed Watts	3.6	3.0	3.9	3.4	4.1	4.1	3.3

## Endurance Data:

Mechanical:	1 million
Electrical: AC3	250K

## Environmental Data:

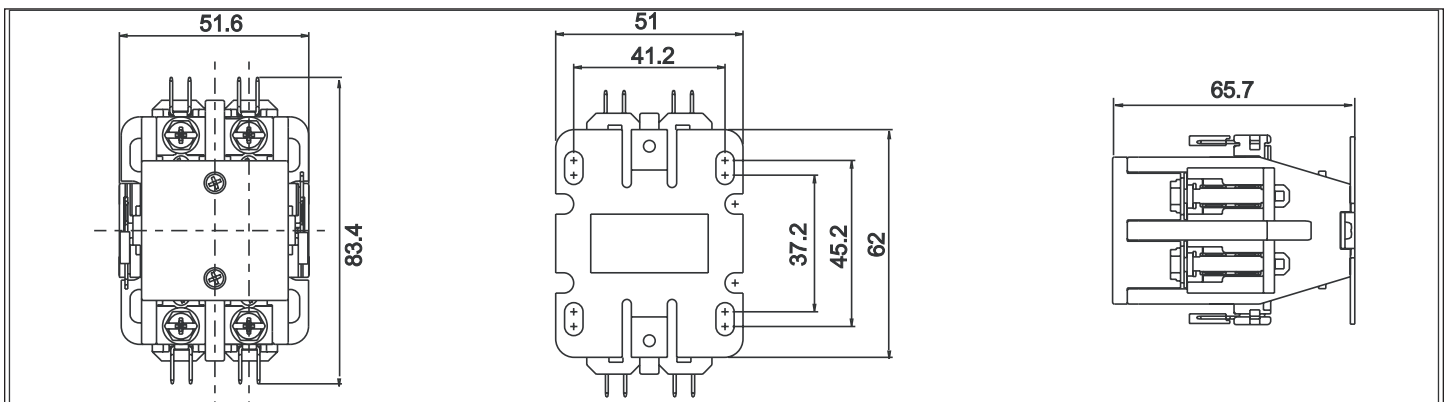
Temperature Range:	Storage and operating: -10°C to 55°C
--------------------	---

## Mechanical Data:

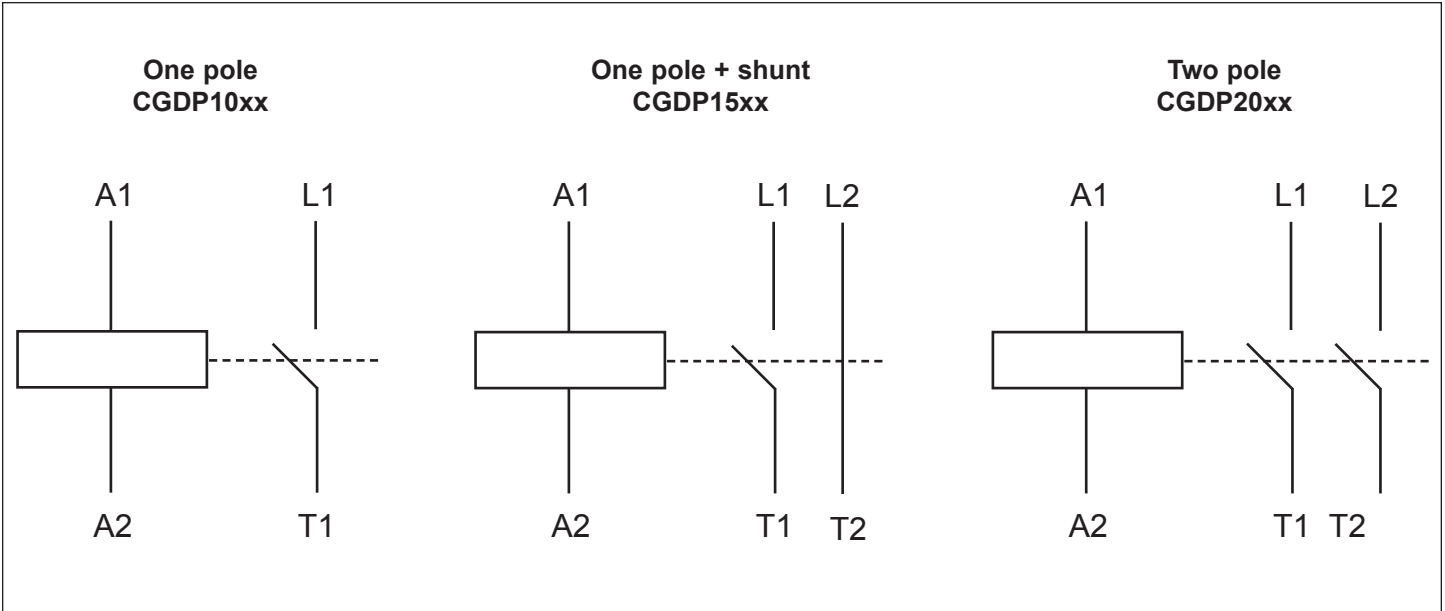
Load Terminals:	M5 screw with quad 0.250" fast-on connectors (standard) Box lug with quad 0.250" fast-on connectors (optional)
Tightening Torque:	25 in-lb
Wire Size:	14-4 AWG
Control Terminals:	Dual 0.250" fast-on connectors

## Dimensions:



In mm for models: CGDP1020 to 1040, CGDP1520 to 1540, CGDP2020 to 2040



**Connection Diagram:**



**Other Information:**

Accessories:	None
Compliance:	 
Agency Approvals:	