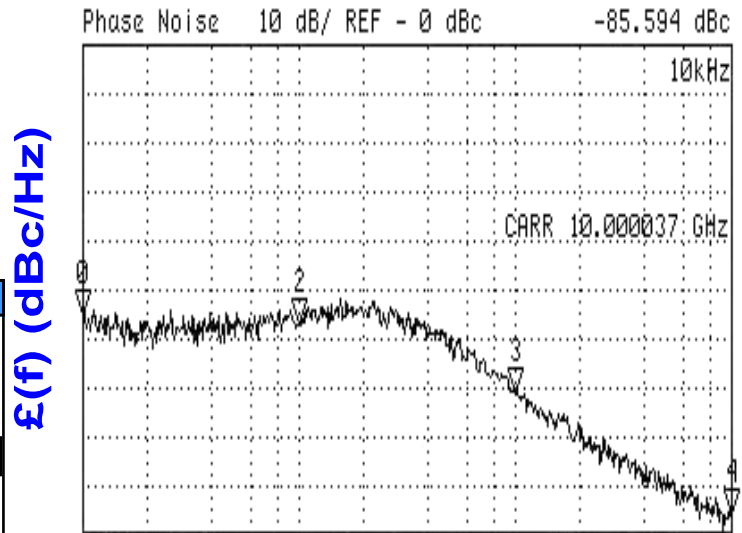




PHASE NOISE (1 Hz BW, typical)



L(f) (dBc/Hz)

OFFSET (Hz)

FEATURES

- Frequency : 10000 MHz
- RMS Phase Error 1 deg
- Package Style: SFS-L1

APPLICATIONS

- Broadband transmission
- Optical Transmitter

PERFORMANCE SPECIFICATIONS

	VALUE	UNITS
Frequency	10000	MHz
Phase Noise @ 10 KHz offset (1 Hz BW, typ.)	-85	dBc/Hz
RMS Phase Error	1	deg
Harmonic Suppression (2nd, typ.)	-30	dBc
Sideband Spurs (typ.)	-70	dBc
Power Output	0±3	dBm
Load Impedance	50	Ω
Startup Lock Time (typ.)	3	mSec
Reference Oscillator	100	MHz
Operating Temperature Range	-40 to 85	°C
Package Style	SFS-L1	

POWER SUPPLY REQUIREMENTS

Supply Voltage: VCO (Vcc, nom.)	5	Vdc
Supply Current: VCO (Icc, typ.)	90	mA
Supply Voltage: PLL (Vcc, nom.)	3	Vdc
Supply Current: PLL (Icc, typ.)	11	mA

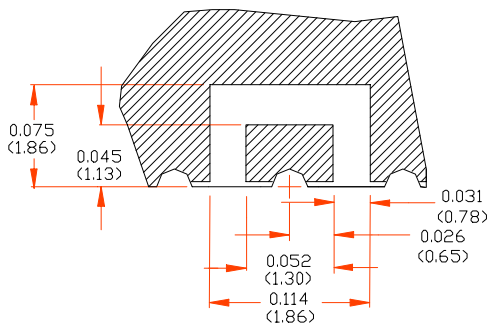
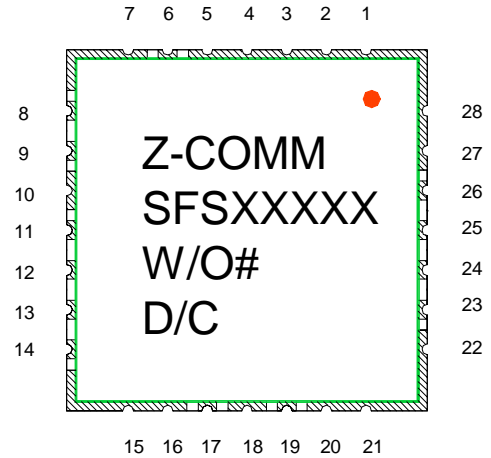
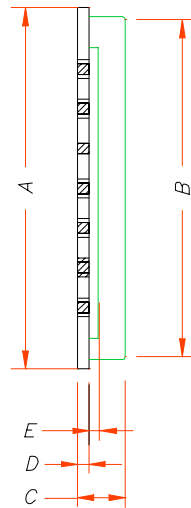
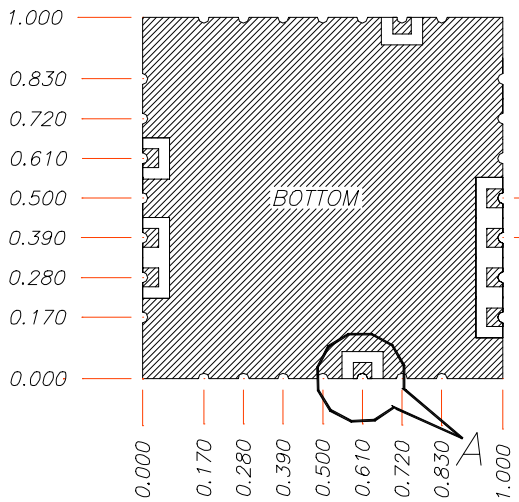
All specifications are typical unless otherwise noted and subject to change without notice.

APPLICATION NOTES

- AN-107 : How to Solder Z-COMM VCOs / PLLs
- AN-200 : Mounting and Grounding of Z-COMM PLLs
- AN-205 : Phase Noise Measurement of Z-COMM SFS Series.

NOTES:

PHYSICAL DIMENSIONS



DETAIL - A

PIN CONFIGURATION

6	RF OUT
11	LOCK DETECT
12	N/C
13	N/C
14	N/C
17	REF IN
19	N/C
23	N/C
24	Vcc CHIP
26	Vcc VCO
REST	GROUND

NOTES

1. All dimensions are in inches.
2. All tolerances are as follows:
.xxx = ± .010

	INCH	MM
A	1.000	25.40
B	0.950	14.40
C	0.235 MAX	5.85 MAX
D	0.032	0.78
E	0.025	0.63
F	0.110	2.79