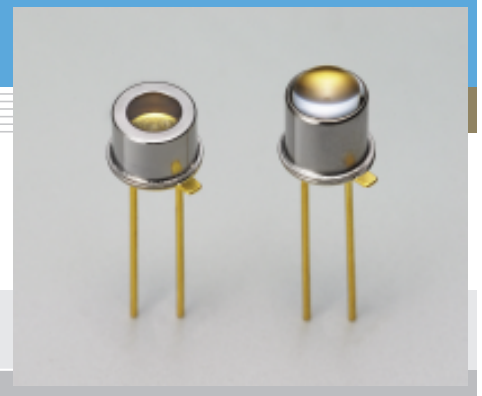


Infrared LED

L7850 series

Peak emission wavelength: 1.45 μm



L7850 series is a long wavelength LED using an InGaAs chip. Peak emission occurs at 1.45 μm , making L7850 series ideal for detection of water content or moisture. L7850-01 has a glass lens window for narrow directivity (beam spread).

Features

- Peak emission wavelength: 1.45 μm
- High radiant output power
- Narrow directivity (L7850-01)

Applications

- Light source for moisture meter
- Light source for photosensitive material

■ Absolute maximum ratings (Ta=25 °C, unless otherwise noted)

Parameter	Symbol	Condition	Value	Unit
Reverse voltage	V _R		1	V
Forward current	I _F		80	mA
Forward current derating rate	-	T _a > 25 °C	1.1	mA/°C
Pulse forward current	I _{FP}	Pulse width=10 μs Duty ratio=1 %	1.0	A
Pulse forward current derating rate	-	T _a > 25 °C	13	mA/°C
Power dissipation	P		150	mW
Operating temperature	T _{opr}		-30 to +85	°C
Storage temperature	T _{stg}		-40 to +100 *1	°C

*1: L7850 series is guaranteed to resist temperature cycle test of up to 5 cycles.

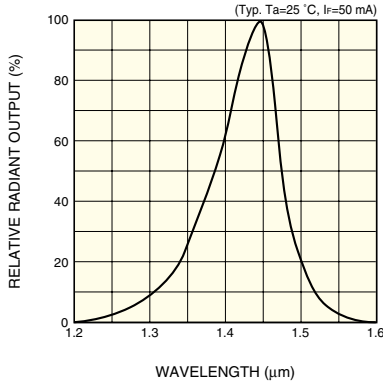
■ Electrical and optical characteristics (Ta=25 °C)

Parameter	Symbol	Condition	L7850/-01			Unit
			Min.	Typ.	Max.	
Peak emission wavelength	λ_p	I _F =50 mA	1.4	1.45	1.5	μm
Spectral half width (FWHM)	$\Delta\lambda$	I _F =50 mA	-	100	150	nm
Radiant flux	ϕ_e	I _F =50 mA	0.7	1.0	-	mW
Forward voltage	V _F	I _F =50 mA	-	1.0	1.5	V
Pulse forward voltage	V _{FP}	I _F =1 A	-	2	3	V
Reverse current	I _R	V _R =1 V	-	-	10	μA
Cut-off frequency *2	f _c	I _F =50 mA \pm 10 mAp-p	1	3	-	MHz

*2: Frequency at which the light output drops by -3 dB based on light output at 100 kHz.

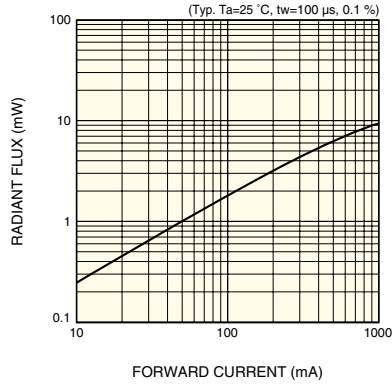
L7850 series may be damaged or performance may deteriorate due to static electricity, so use caution when handling.

■ Emission spectrum



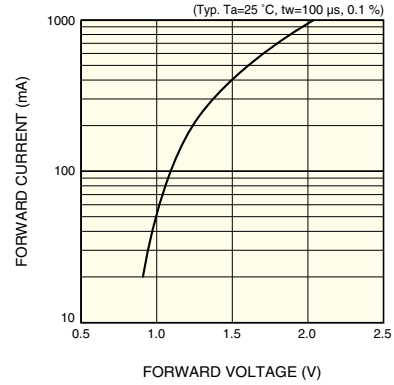
KLEDB0233EA

■ Radiant flux vs. forward current



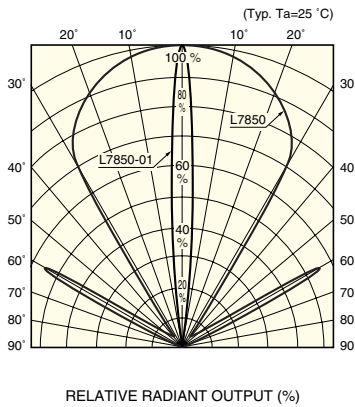
KLEDB0234EA

■ Forward current vs. forward voltage



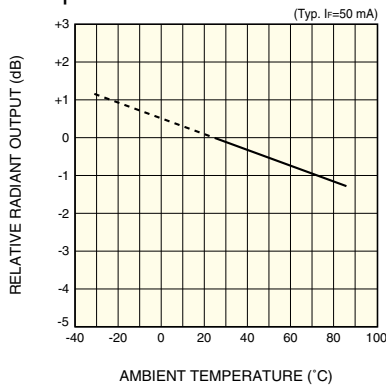
KLEDB0235EA

■ Directivity



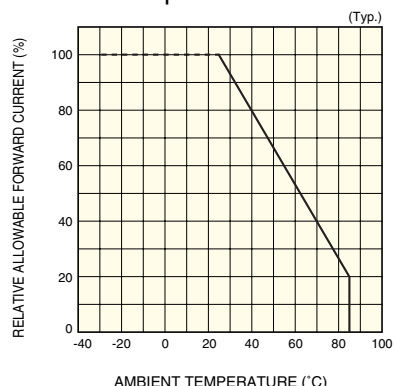
KLEDB0236EA

■ Radiant output vs. ambient temperature



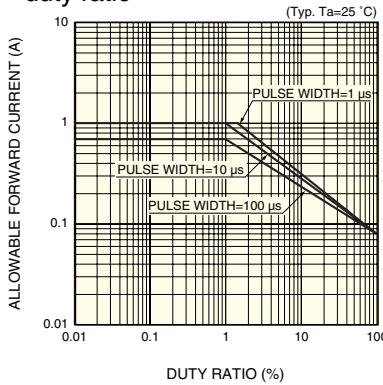
KLEDB0237EA

■ Allowable forward current vs. ambient temperature



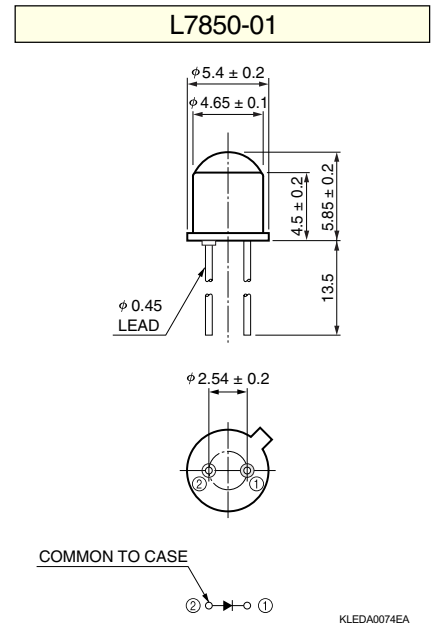
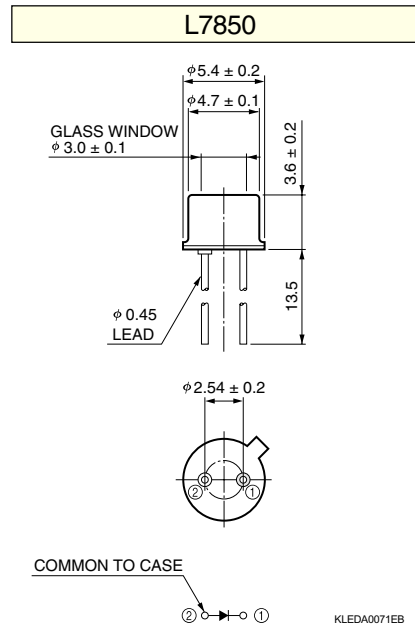
KLEDB0027EB

■ Allowable forward current vs. duty ratio



KLEDB0225EA

■ Dimensional outlines (unit: mm)



HAMAMATSU

Information furnished by HAMAMATSU is believed to be reliable. However, no responsibility is assumed for possible inaccuracies or omissions. Specifications are subject to change without notice. No patent rights are granted to any of the circuits described herein. ©2001 Hamamatsu Photonics K.K.

HAMAMATSU PHOTONICS K.K., Solid State Division

1126-1 Ichino-cho, Hamamatsu City, 435-8558 Japan, Telephone: (81) 053-434-3311, Fax: (81) 053-434-5184, <http://www.hamamatsu.com>

U.S.A.: Hamamatsu Corporation, 360 Foothill Road, P.O.Box 6910, Bridgewater, N.J. 08807-0910, U.S.A., Telephone: (1) 908-231-0960, Fax: (1) 908-231-1218

Germany: Hamamatsu Photonics Deutschland GmbH: Arzbergerstr. 10, D-82211 Herrsching am Ammersee, Germany, Telephone: (49) 08152-3750, Fax: (49) 08152-2658

France: Hamamatsu Photonics France S.A.R.L.: 8, Rue du Saule Trapu, Parc du Moulin de Massy, 91882 Massy Cedex, France, Telephone: 33-(1) 69 53 71 00, Fax: 33-(1) 69 53 71 10

United Kingdom: Hamamatsu Photonics UK Limited: 2 Howard Court, 10 Tewin Road, Welwyn Garden City, Hertfordshire AL7 1BW, United Kingdom, Telephone: (44) 1707-294888, Fax: (44) 1707-325777

North Europe: Hamamatsu Photonics Norden AB: Smidesvägen 12, SE-171 41 Solna, Sweden, Telephone: (46) 8-509-031-00, Fax: (46) 8-509-031-01

Italy: Hamamatsu Photonics Italia S.R.L.: Strada della Moia, 1/E, 20020 Arese, (Milano), Italy, Telephone: (39) 02-935-81-733, Fax: (39) 02-935-81-741