

FEATURES

- Monolithic 20 MSPS Converter
- On-Chip Track/Hold
- Bipolar ± 2.0 V Analog Input
- 60 dB SNR @ 1 MHz Input
- Low Power (1.0 W Typical)
- 5 pF Input Capacitance
- TTL Outputs

APPLICATIONS

- Medical Imaging
- Professional Video
- Radar Receivers
- Instrumentation
- Electronic Warfare
- Digital Communications

GENERAL DESCRIPTION

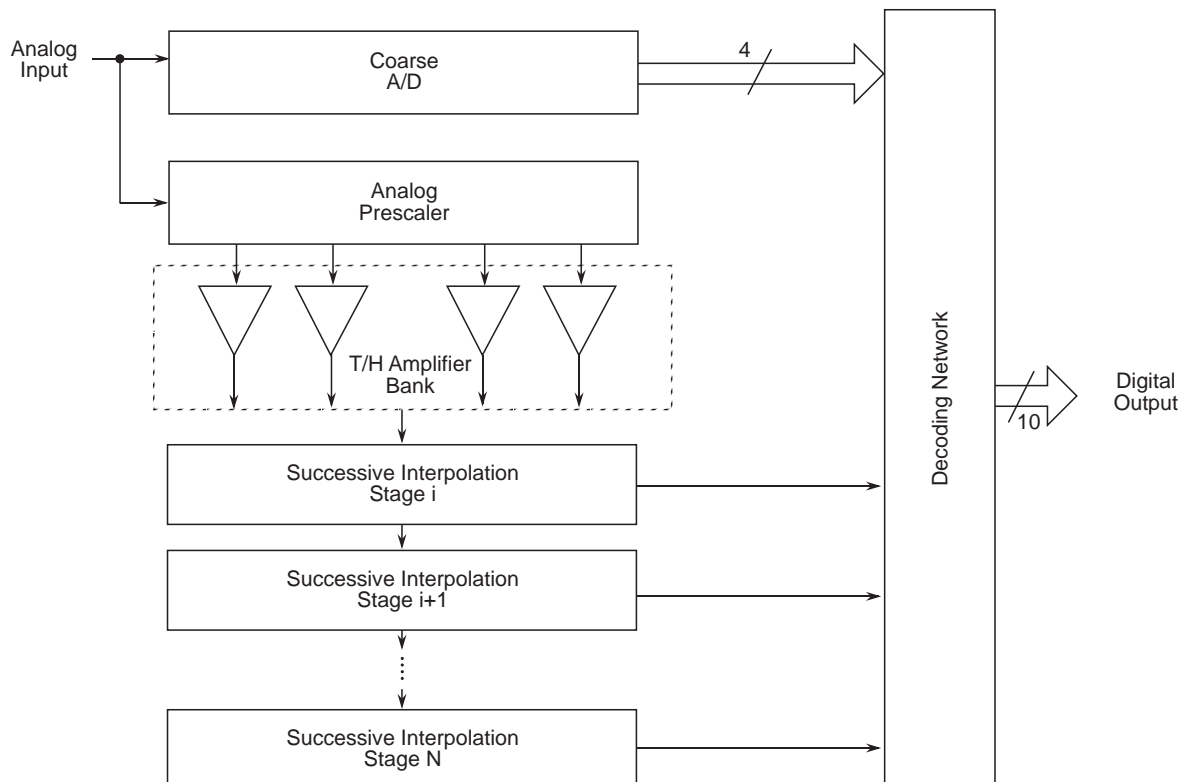
The SPT7820 A/D converter is a 10-bit monolithic converter capable of word rates of a minimum of 20 MSPS. On board track/hold function assures excellent dynamic performance without the need for external components. Drive requirement problems are minimized with an input capacitance of only 5 pF.

Inputs and outputs are TTL compatible to interface with TTL logic systems. An overrange output signal is provided to

indicate overflow conditions. Output data format is straight binary. Power dissipation is very low at only 1.0 watt with power supply voltages of +5.0 and -5.2 volts. The SPT7820 also provides a wide input voltage swing of ± 2.0 volts.

The SPT7820 is available in 28-lead ceramic sidebrazed DIP, PDIP and SOIC packages over the commercial, industrial and military temperature ranges. Contact the factory for availability of die and /883 versions.

BLOCK DIAGRAM



ABSOLUTE MAXIMUM RATINGS (Beyond which damage may occur)¹ 25 °C

Supply Voltages

V _{CC}	+6 V
V _{EE}	-6 V

Input Voltages

Analog Input	V _{FB} ≤ V _{IN} ≤ V _{FT}
V _{FT} , V _{FB}	+3.0 V, -3.0 V
Reference Ladder Current	12 mA
CLK Input	V _{CC}

Output

Digital Outputs	+30 to -30 mA
-----------------------	---------------

Temperature

Operating Temperature	-55 to +125 °C
Junction Temperature ¹	+175 °C
Lead Temperature, (soldering 10 seconds)	+300 °C
Storage Temperature	-65 to +150 °C

Note: 1. Operation at any Absolute Maximum Rating is not implied. See Electrical Specifications for proper nominal applied conditions in typical applications.

ELECTRICAL SPECIFICATIONS

T_A=T_{min} - T_{max}, V_{CC}=+5.0 V, V_{EE}=-5.2 V, DV_{CC}=+5.0 V, V_{IN}=±2.0 V, V_{SB}=-2.0 V, V_{ST}=+2.0 V, f_{CLK}=20 MHz, 50% clock duty cycle, unless otherwise specified.

PARAMETERS	TEST CONDITIONS	TEST LEVEL	SPT7820A			SPT7820B			UNITS
			MIN	TYP	MAX	MIN	TYP	MAX	
Resolution			10			10			Bits
DC Accuracy (+25 °C)	±Full Scale								
Integral Nonlinearity	100 kHz Sample Rate	V	±1.0			±1.5			LSB
Differential Nonlinearity		V	±0.5			±0.75			LSB
No Missing Codes		VI	Guaranteed			Guaranteed			
Analog Input	f _{CLK} =1 MHz								
Input Voltage Range		V	±2.0			±2.0			V
Input Bias Current	V _{IN} =0 V	VI	30			30			µA
Input Bias Current	T _A =-55 to +125 °C	IV	60			60			µA
Input Resistance		VI	100	300	75	100	300	75	kΩ
Input Resistance	T _A =-55 to +125 °C	IV	75	300		75	300		kΩ
Input Capacitance		V	5			5			pF
Input Bandwidth	3 dB Small Signal	V	120			120			MHz
+FS Error		V	±2.0			±2.0			LSB
-FS Error		V	±2.0			±2.0			LSB
Reference Input	f _{CLK} =1 MHz								
Reference Ladder Resistance		VI	500	800		500	800		Ω
Reference Ladder Tempco		V	0.8			0.8			Ω/°C
Timing Characteristics									
Maximum Conversion Rate		VI	20			20			MHz
Overvoltage Recovery Time		V	20			20			ns
Pipeline Delay (Latency)		IV	1			1			Clock Cycle
Output Delay	T _A =+25 °C	V	14			14			ns
Aperture Delay Time	T _A =+25 °C	V	1			1			ns
Aperture Jitter Time	T _A =+25 °C	V	5			5			ps-RMS
Acquisition Time	T _A =+25 °C	V	20			20			ns
Dynamic Performance									
Effective Number of Bits									
f _{IN} =1 MHz			9.2			8.7			Bits
f _{IN} =3.58 MHz			8.8			8.3			Bits
f _{IN} =10.0 MHz			7.5			7.0			Bits

Typical thermal impedances (unsoldered, in free air): 28L sidebrazed DIP: θ_{ja} = 50 °C/W, 28L plastic DIP: θ_{ja} = 50 °C/W, 28L SOIC: θ_{ja} = 100 °C/W.

ELECTRICAL SPECIFICATIONS

$T_A = T_{min} - T_{max}$, $V_{CC} = +5.0$ V, $V_{EE} = -5.2$ V, $DV_{CC} = +5.0$ V, $V_{IN} = \pm 2.0$ V, $V_{SB} = -2.0$ V, $V_{ST} = +2.0$ V, $f_{CLK} = 20$ MHz, 50% clock duty cycle, unless otherwise specified.

PARAMETERS	TEST CONDITIONS	TEST LEVEL	SPT7820A			SPT7820B			UNITS
			MIN	TYP	MAX	MIN	TYP	MAX	
Dynamic Performance									
Signal-To-Noise Ratio (Without Harmonics)									
$f_{IN} = 1$ MHz	$T_A = +25$ °C	I	57	60		54	57		dB
	$T_A = 0-70, -25$ to $+85$ °C	IV	55	58		52	55		dB
	$T_A = -55$ to $+125$ °C*	IV	52	55		49	52		dB
$f_{IN} = 3.58$ MHz	$T_A = +25$ °C	I	56	58		53	55		dB
	$T_A = 0-70, -25$ to $+85$ °C	IV	54	56		51	53		dB
	$T_A = -55$ to $+125$ °C*	IV	52	54		49	51		dB
$f_{IN} = 10.0$ MHz	$T_A = +25$ °C	I	50	53		47	49		dB
	$T_A = 0-70, -25$ to $+85$ °C	IV	47	50		44	46		dB
	$T_A = -55$ to $+125$ °C*	IV	43	46		40	42		dB
Harmonic Distortion									
$f_{IN} = 1$ MHz	$T_A = +25$ °C	I	57	60		54	57		dB
	$T_A = 0-70, -25$ to $+85$ °C	IV	54	57		51	54		dB
	$T_A = -55$ to $+125$ °C*	IV	50	53		47	50		dB
$f_{IN} = 3.58$ MHz	$T_A = +25$ °C	I	56	58		53	55		dB
	$T_A = 0-70, -25$ to $+85$ °C	IV	53	55		50	52		dB
	$T_A = -55$ to $+125$ °C*	IV	50	52		47	49		dB
$f_{IN} = 10.0$ MHz	$T_A = +25$ °C	I	46	48		43	45		dB
	$T_A = 0-70, -25$ to $+85$ °C	IV	45	47		42	44		dB
	$T_A = -55$ to $+125$ °C*	IV	45	47		42	44		dB
Signal-to-Noise and Distortion									
$f_{IN} = 1$ MHz	$T_A = +25$ °C	I	55	57		52	54		dB
	$T_A = 0-70, -25$ to $+85$ °C	IV	52			49			dB
	$T_A = -55$ to $+125$ °C*	IV	48			45			dB
$f_{IN} = 3.58$ MHz	$T_A = +25$ °C	I	54	55		51	52		dB
	$T_A = 0-70, -25$ to $+85$ °C	IV	51			48			dB
	$T_A = -55$ to $+125$ °C*	IV	48			45			dB
$f_{IN} = 10.0$ MHz	$T_A = +25$ °C	I	44	47		41	44		dB
	$T_A = 0-70, -25$ to $+85$ °C	IV	43			40			dB
	$T_A = -55$ to $+125$ °C*	IV	41			38			dB
Spurious Free Dynamic Range	$T_A = +25$ °C, $f_{IN} = 1$ MHz	V		67			67		dB
Differential Phase	$T_A = +25$ °C, $f_{IN} = 3.58$ & 4.35 MHz	V		0.2			0.2		Degree
Differential Gain	$T_A = +25$ °C, $f_{IN} = 3.58$ & 4.35 MHz	V		0.5			0.7		%
Digital Inputs	$f_{CLK} = 1$ MHz								
Logic 1 Voltage		VI	2.4		4.5	2.4		4.5	V
Logic 0 Voltage		VI			0.8			0.8	V
Maximum Input Current Low	$T_A = +25$ °C	I	0	+5	+20	0	+5	+20	μ A
Maximum Input Current High	$T_A = +25$ °C	I	0	+5	+20	0	+5	+20	μ A
Pulse Width Low (CLK)		IV	20			20			ns
Pulse Width High (CLK)		IV	20		300	20		300	ns
Digital Outputs	$f_{CLK} = 1$ MHz								
Logic 1 Voltage		VI	2.4			2.4			V
Logic 0 Voltage		VI			0.6			0.6	V
Power Supply Requirements									
Voltages V_{CC}		IV	4.75		5.25	4.75		5.25	V
DV_{CC}		IV	4.75	5.0	5.25	4.75	5.0	5.25	V
$-V_{EE}$		IV	-4.95	-5.2	-5.45	-4.95	-5.2	-5.45	V
Currents I_{CC}	$T_A = +25$ °C	I		118	145		118	145	mA
DI_{CC}	$T_A = +25$ °C	I		40	55		40	55	mA
$-IEE$	$T_A = +25$ °C	I		40	57		40	57	mA
Power Dissipation	$T_A = +25$ °C	I		1.0	1.3		1.0	1.3	W
Power Supply Rejection	(5 V ± 0.25 V, -5.2 ± 0.25 V)	V		1.0			1.0		LSB

*Temperature tested /883 only.

TEST LEVEL CODES

All electrical characteristics are subject to the following conditions:

All parameters having min/max specifications are guaranteed. The Test Level column indicates the specific device testing actually performed during production and Quality Assurance inspection. Any blank section in the data column indicates that the specification is not tested at the specified condition.

TEST LEVEL

TEST PROCEDURE

I	100% production tested at the specified temperature.
II	100% production tested at $T_A = +25\text{ }^\circ\text{C}$, and sample tested at the specified temperatures.
III	QA sample tested only at the specified temperatures.
IV	Parameter is guaranteed (but not tested) by design and characterization data.
V	Parameter is a typical value for information purposes only.
VI	100% production tested at $T_A = +25\text{ }^\circ\text{C}$. Parameter is guaranteed over specified temperature range.

Figure 1A: Timing Diagram

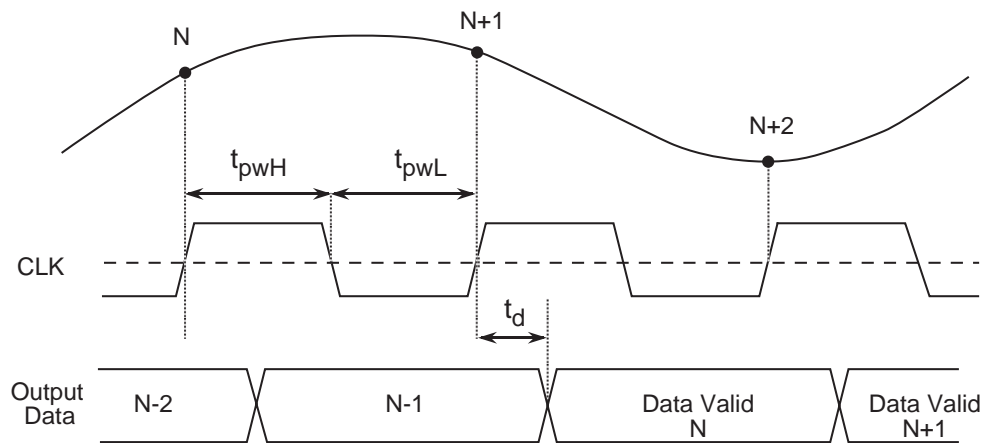


Figure 1B: Single Event Clock

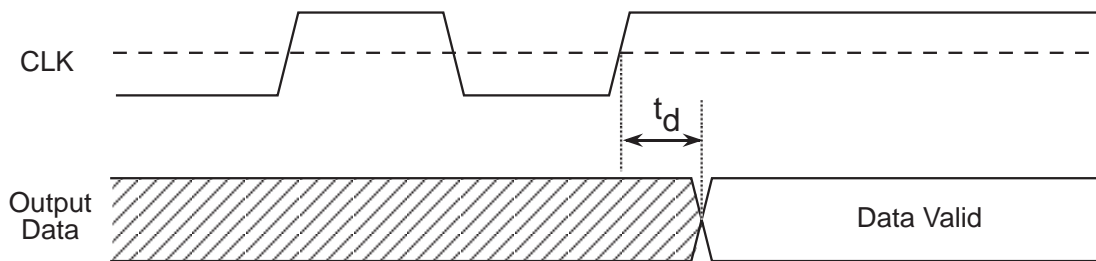
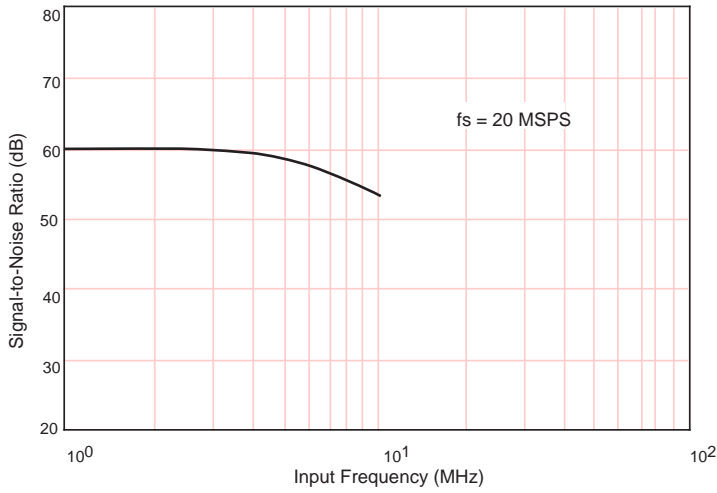


Table I - Timing Parameters

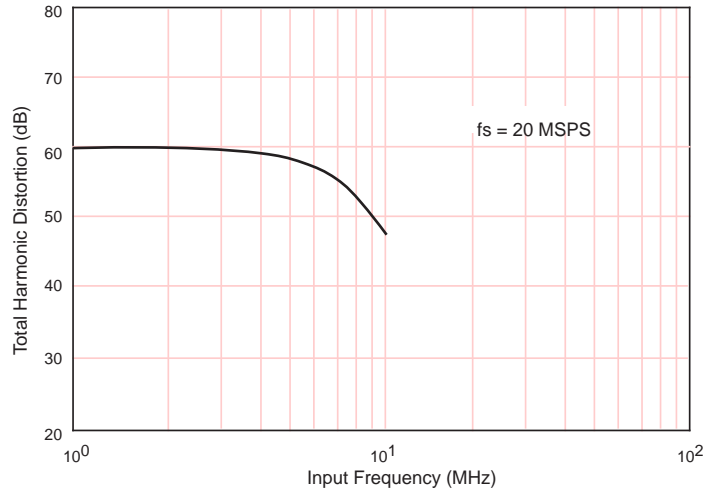
PARAMETERS	DESCRIPTION	MIN	TYP	MAX	UNITS
t_d	CLK to Data Valid Prop Delay	-	14	18	ns
t_{pwH}	CLK High Pulse Width	20	-	300	ns
t_{pwL}	CLK Low Pulse Width	20	-	-	ns

TYPICAL PERFORMANCE CHARACTERISTICS

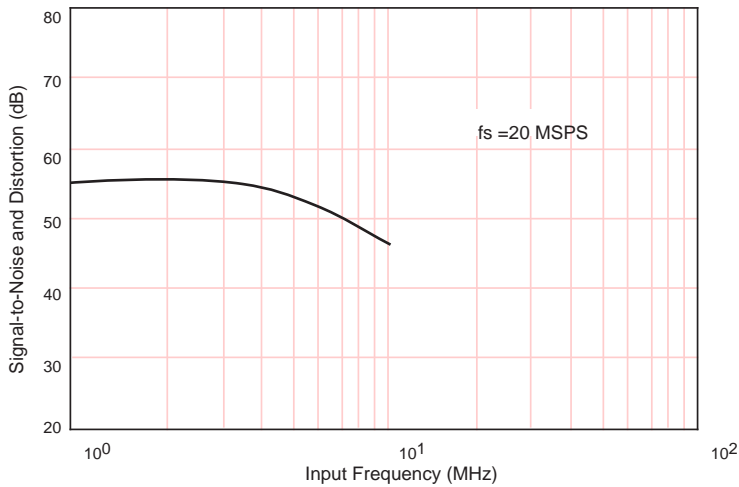
SNR vs Input Frequency



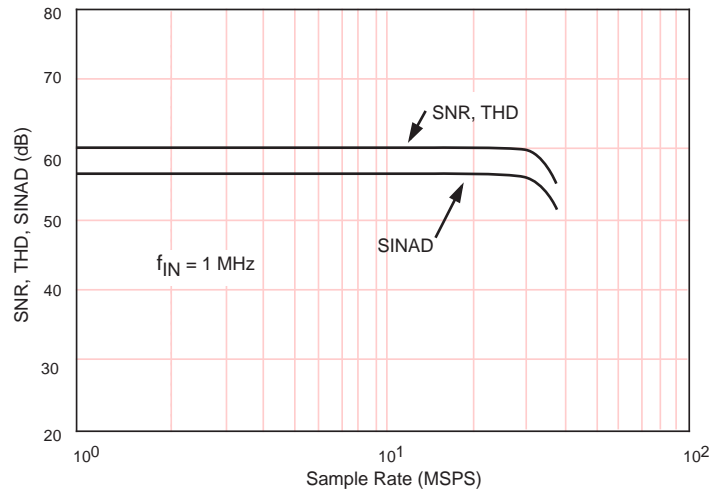
THD vs Input Frequency



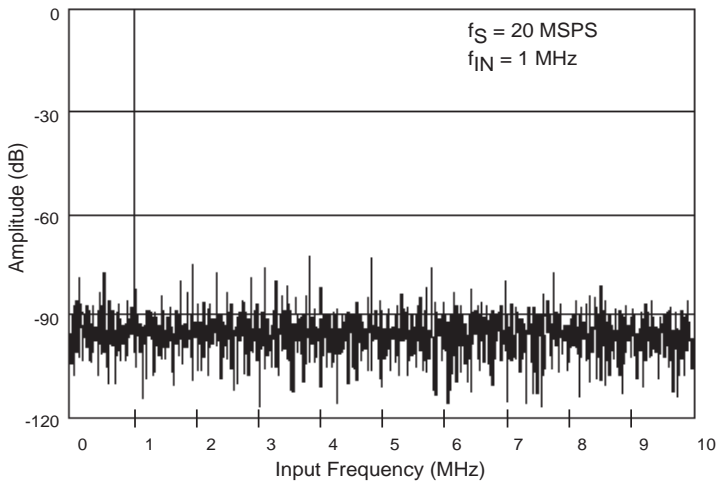
SINAD vs Input Frequency



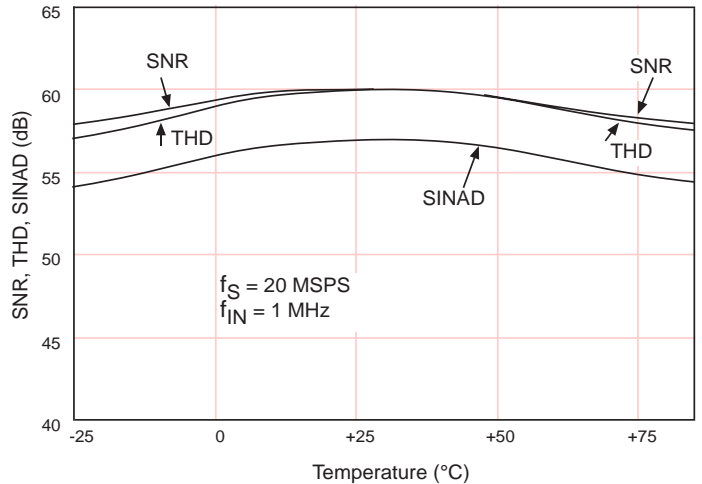
SNR, THD, SINAD vs Sample Rate



Spectral Response



SNR, THD, SINAD vs Temperature



TYPICAL INTERFACE CIRCUIT

The SPT7820 requires few external components to achieve the stated operation and performance. Figure 2 shows the typical interface requirements when using the SPT7820 in normal circuit operation. The following section provides a description of the pin functions and outlines critical performance criteria to consider for achieving the optimal device performance.

POWER SUPPLIES AND GROUNDING

The SPT7820 requires -5.2 V and +5 V analog supply voltages. The +5 V supply is common to analog V_{CC} and digital DV_{CC} . A ferrite bead in series with each supply line is intended to reduce the transient noise injected into the analog V_{CC} . These beads should be connected as closely as possible to the device. The connection between the beads and the SPT7820 should not be shared with any other device. Each power supply pin should be bypassed as closely as possible to the device. Use 0.1 μF for V_{EE} and V_{CC} , and 0.01 μF for DV_{CC} (chip caps are preferred).

AGND and DGND are the two grounds available on the SPT7820. These two internal grounds are isolated on the

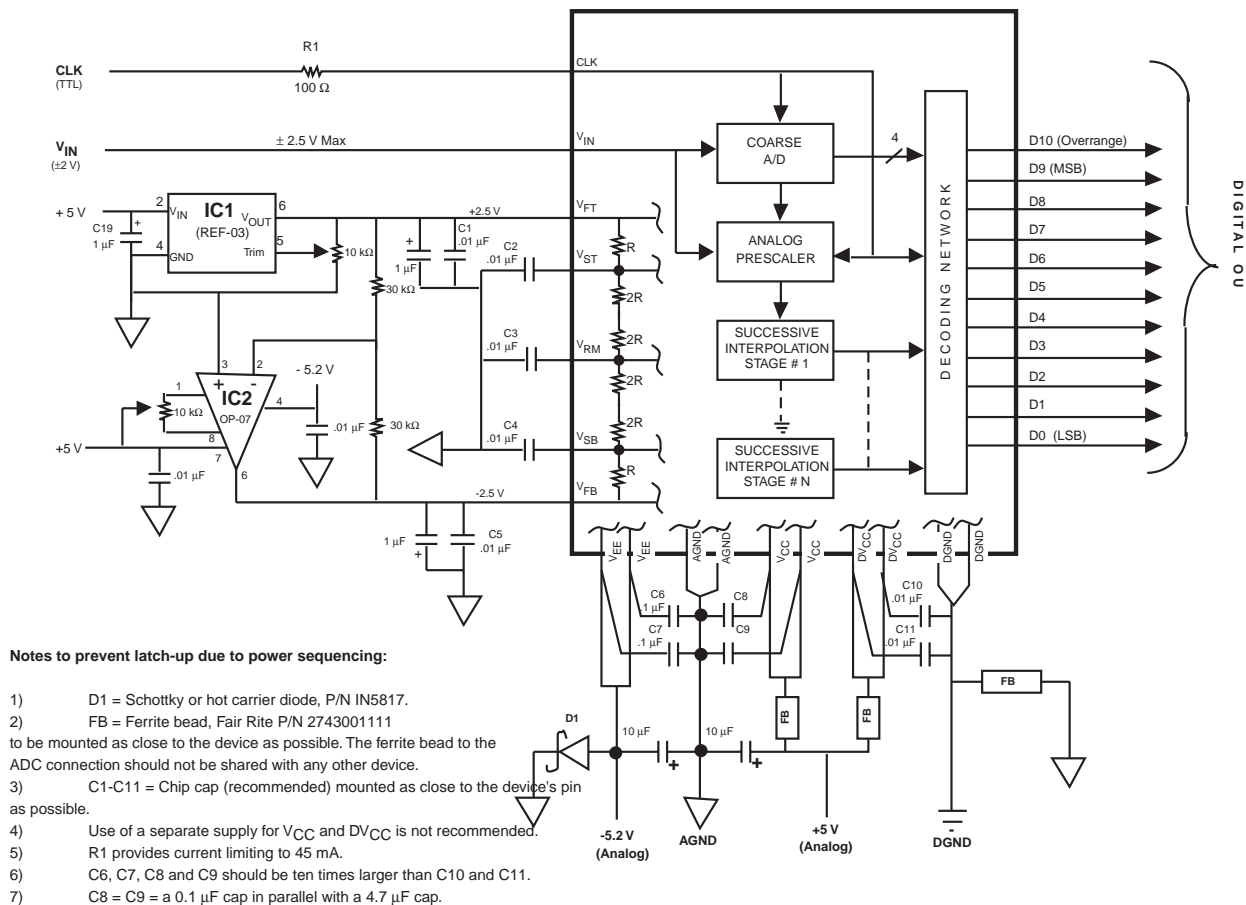
device. The use of ground planes is recommended to achieve optimum device performance. DGND is needed for the DV_{CC} return path (40 mA typical) and for the return path for all digital output logic interfaces. AGND and DGND should be separated from each other and connected together only at the device through a ferrite bead.

A Schottky or hot carrier diode connected between AGND and V_{EE} is required. The use of separate power supplies between V_{CC} and DV_{CC} is not recommended due to potential power supply sequencing latch-up conditions. Using the recommended interface circuit shown in figure 2 will provide optimum device performance for the SPT7820.

VOLTAGE REFERENCE

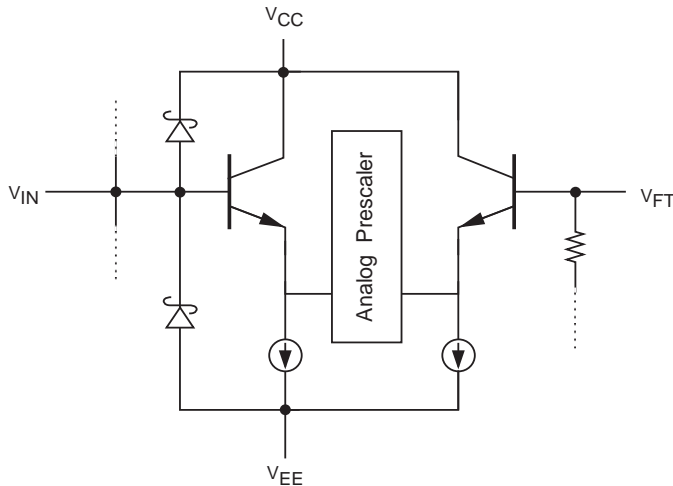
The SPT7820 requires the use of two voltage references: V_{FT} and V_{FB} . V_{FT} is the force for the top of the voltage reference ladder (+2.5 V typ), V_{FB} (-2.5 V typ) is the force for the bottom of the voltage reference ladder. Both voltages are applied across an internal reference ladder resistance of 800 Ω . The +2.5 V voltage source for reference V_{FT} must be current limited to 20 mA maximum if a different driving circuit is used in place of the recommended reference circuit shown in figures 2 and 3. In addition, there are three reference

Figure 2 - Typical Interface Circuit



ladder taps (V_{ST} , V_{RM} and V_{SB}). V_{ST} is the sense for the top of the reference ladder (+2.0 V), V_{RM} is the midpoint of the ladder (0.0 V typ) and V_{SB} is the sense for the bottom of the reference ladder (-2.0 V). The voltages seen at V_{ST} and V_{SB} are the true full scale input voltages of the device when V_{FT} and V_{FB} are driven to the recommended voltages (+2.5 V and -2.5 V typical respectively). These points should be used to monitor the actual full scale input voltage of the device and should not be driven to the expected ideal values as is commonly done with standard flash converters. When not being used, a decoupling capacitor of .01 μ F (chip cap preferred) connected to AGND from each tap is recommended to minimize high frequency noise injection.

Figure 3 - Analog Equivalent Input Circuit



An example of a reference driver circuit recommended is shown in figure 2. IC1 is REF-03, the +2.5 V reference with a tolerance of 0.6% or +/- 0.015 V. The potentiometer R1 is 10 k Ω and supports a minimum adjustable range of up to 150 mV. IC2 is recommended to be an OP-07 or equivalent device. R2 and R3 must be matched to within 0.1% with good TC tracking to maintain a 0.3 LSB matching between V_{FT} and V_{FB} . If 0.1% matching is not met, then potentiometer R4 can be used to adjust the V_{FB} voltage to the desired level. V_{FT} and V_{FB} should be adjusted such that V_{ST} and V_{SB} are exactly +2.0 V and -2.0 V respectively.

The analog input range will scale proportionally with respect to the reference voltage if a different input range is required. The maximum scaling factor for device operation is $\pm 20\%$ of the recommended reference voltages of V_{FT} and V_{FB} . However, because the device is laser trimmed to optimize performance with ± 2.5 V references, the accuracy of the device will degrade if operated beyond a $\pm 2\%$ range.

The following errors are defined:

+FS error = top of ladder offset voltage = $\Delta(+FS - V_{ST} + 1 \text{ LSB})$
 -FS error = bottom of ladder offset voltage = $\Delta(-FS - V_{SB} - 1 \text{ LSB})$
 where the +FS (full scale) input voltage is defined as the output transition between 1-10 and 1-11 and the -FS input voltage is defined as the output transition between 0-00 and 0-01.

ANALOG INPUT

V_{IN} is the analog input. The full scale input range will be 80% of the reference voltage or ± 2 volts with $V_{FB} = -2.5$ V and $V_{FT} = +2.5$ V.

The drive requirements for the analog inputs are minimal when compared to conventional Flash converters due to the SPT7820's extremely low input capacitance of only 5 pF and very high input resistance of 300 k Ω . For example, for an input signal of ± 2 V p-p with an input frequency of 10 MHz, the peak output current required for the driving circuit is only 628 μ A.

CLOCK INPUT

The SPT7820 is driven from a single-ended TTL input (CLK). The CLK pulse width (tpwH) must be kept between 20 ns and 300 ns to ensure proper operation of the internal track-and-hold amplifier. (See timing diagram.) When operating the SPT7820 at sampling rates above 3 MSPS, it is recommended that the clock input duty cycle be kept at 50% but performance will not be degraded if kept within the range of 40-60%. The analog input signal is latched on the rising edge of the CLK.

The clock input must be driven from fast TTL logic ($V_{IH} \leq 4.5$ V, $T_{RISE} < 6$ ns). In the event the clock is driven from a high current source, use a 100 Ω resistor in series to current limit to approximately 45 mA.

DIGITAL OUTPUTS

The format of the output data (D0-D9) is straight binary. (See table II.) The outputs are latched on the rising edge of CLK with a propagation delay of 14 ns (typ). There is a one clock cycle latency between CLK and the valid output data. (See the timing diagram.)

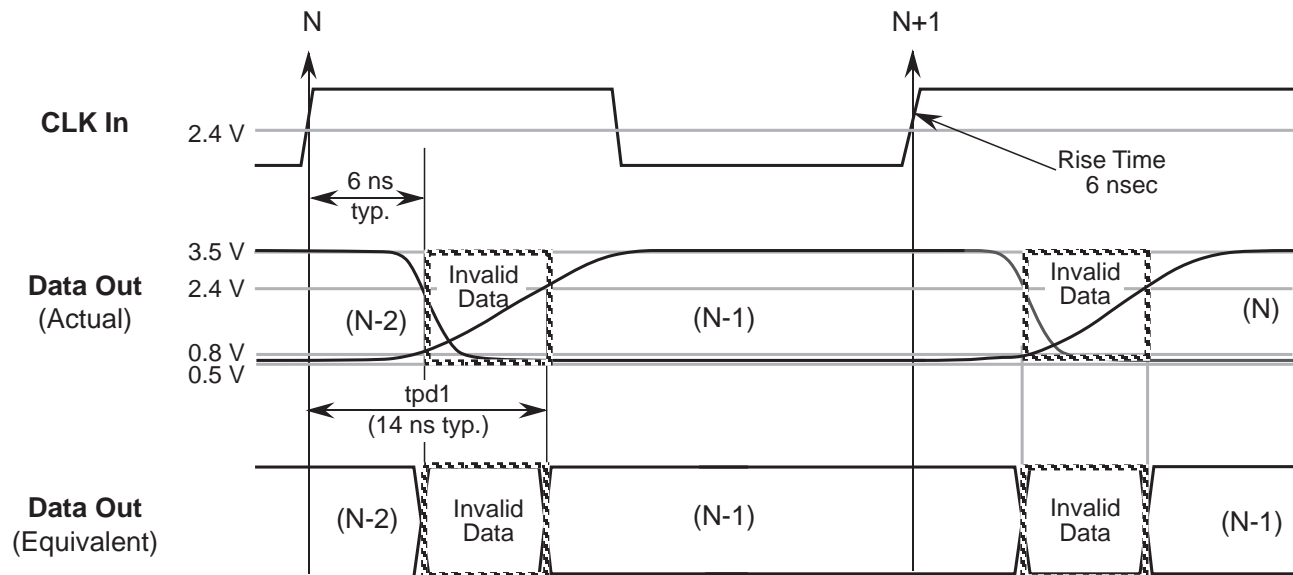
Table II - Output Data Information

ANALOG INPUT	OVERRANGE D10	OUTPUT CODE D9-D0
>+2.0 V + 1/2 LSB	1	11 1111 1111
+2.0 V -1 LSB	0	11 1111 1110
0.0 V	0	00 0000 0000
-2.0 V +1 LSB	0	00 0000 0000
<-2.0 V	0	00 0000 0000

(0 indicates the flickering bit between logic 0 and 1).

The rise times and fall times of the digital outputs are not symmetrical. The propagation delay of the rise time is typically 14 ns and the fall time is typically 6 ns. (See figure 4.) The nonsymmetrical rise and fall times create approximately 8 ns of invalid data.

Figure 4 - Digital Output Characteristics



OVERRANGE OUTPUT

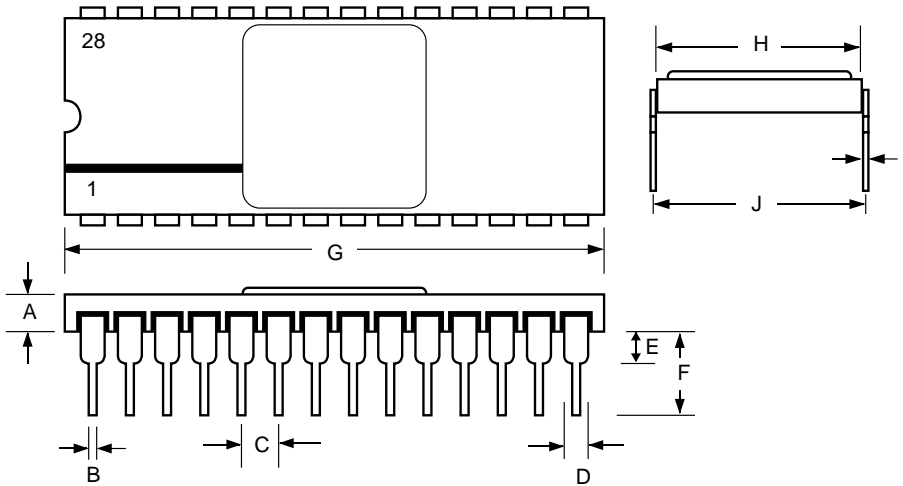
The OVERRANGE OUTPUT (D10) is an indication that the analog input signal has exceeded the positive full scale input voltage by 1 LSB. When this condition occurs, D10 will switch to logic 1. All other data outputs (D0 to D9) will remain at logic 1 as long as D10 remains at logic 1. This feature makes it possible to include the SPT7820 into higher resolution systems.

EVALUATION BOARD

The EB7820 evaluation board is available to aid designers in demonstrating the full performance of the SPT7820. This board includes a reference circuit, clock driver circuit, output data latches and an on-board reconstruction of the digital data. An application note describing the operation of this board as well as information on the testing of the SPT7820 is also available. Contact the factory for price and availability.

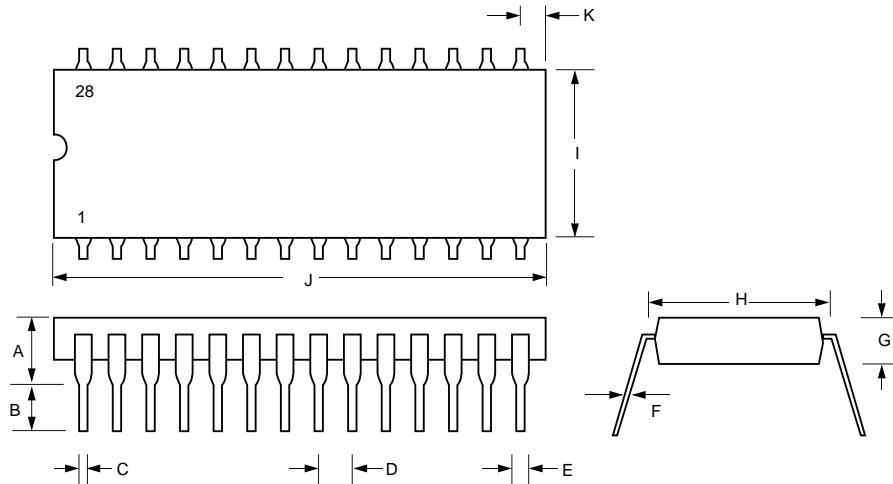
PACKAGE OUTLINES

28-Lead Sidebraced



SYMBOL	INCHES		MILLIMETERS	
	MIN	MAX	MIN	MAX
A	0.077	0.093	1.96	2.36
B	0.016	0.020	0.41	0.51
C	0.095	0.105	2.41	2.67
D		.050 typ	0.00	1.27
E	0.040	0.060	1.02	1.52
F	0.215	0.235	5.46	5.97
G	1.388	1.412	35.26	35.86
H	0.585	0.605	14.86	15.37
I	0.009	0.012	0.23	0.30
J	0.600	0.620	15.24	15.75

28-Lead Plastic DIP

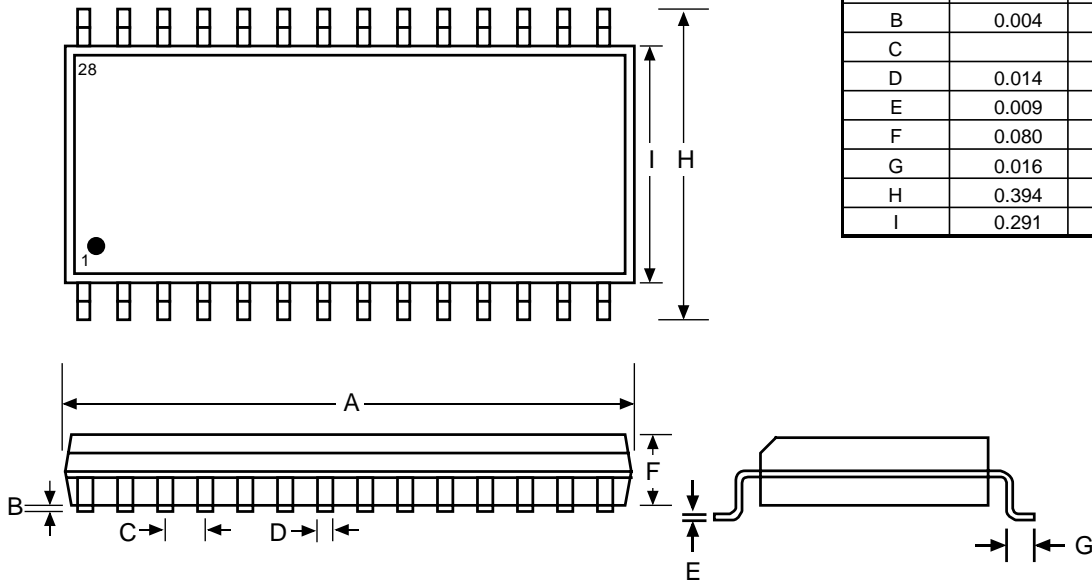


SYMBOL	INCHES		MILLIMETERS	
	MIN	MAX	MIN	MAX
A		0.200		5.08
B	0.120	0.135	3.05	3.43
C		0.020		0.51
D		0.100		2.54
E		0.067		1.70
F		0.013		0.33
G	0.170	0.180	4.32	4.57
H		0.622		15.80
I		0.555		14.10
J		1.460		37.08
K		0.085		2.16

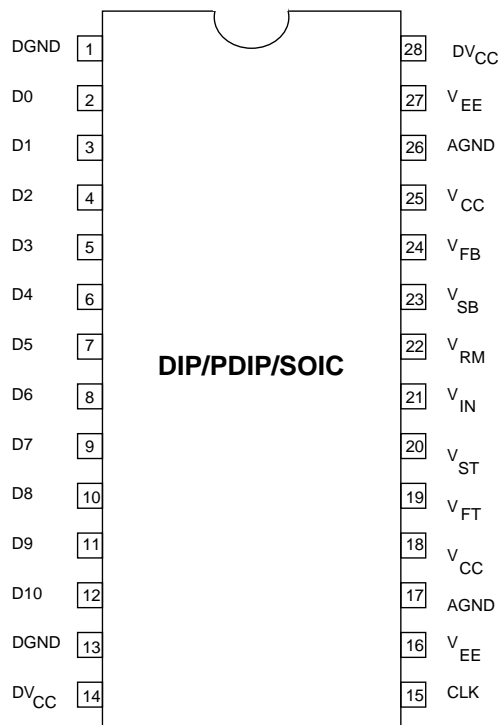
PACKAGE OUTLINES

28-Lead SOIC

SYMBOL	INCHES		MILLIMETERS	
	MIN	MAX	MIN	MAX
A	0.696	0.712	17.68	18.08
B	0.004	0.012	0.10	0.30
C		.050 typ	0.00	1.27
D	0.014	0.019	0.36	0.48
E	0.009	0.012	0.23	0.30
F	0.080	0.100	2.03	2.54
G	0.016	0.050	0.41	1.27
H	0.394	0.419	10.01	10.64
I	0.291	0.299	7.39	7.59



PIN ASSIGNMENTS



PIN FUNCTIONS

Name	Function
DGND	Digital Ground
D0-D9	TTL Outputs (D0=LSB)
D10	TTL Output Overrange
CLK	Clock
V _{EE}	-5.2 V Supply (Analog)
AGND	Analog Ground
V _{CC}	+5.0 V supply (Analog)
V _{IN}	Analog Input
DV _{CC}	Digital +5.0 V Supply
V _{RM}	Middle of Voltage Reference Ladder
V _{FT}	Force for Top of Reference Ladder
V _{ST}	Sense for Top of Reference Ladder
V _{FB}	Force for Bottom of Reference Ladder
V _{SB}	Sense for Bottom of Reference Ladder

ORDERING INFORMATION

PART NUMBER	TEMPERATURE RANGE	PACKAGE TYPE
SPT7820AIJ	-25 to +85 °C	28L Sidebrazed DIP
SPT7820BIJ	-25 to +85 °C	28L Sidebrazed DIP
SPT7820ACN	0 to +70 °C	28L Plastic DIP
SPT7820BCN	0 to +70 °C	28L Plastic DIP
SPT7820ACS	0 to +70 °C	28L SOIC
SPT7820BCS	0 to +70 °C	28L SOIC
SPT7820AMJ	-55 to +125 °C	28L Sidebrazed DIP
SPT7820BMJ	-55 to +125 °C	28L Sidebrazed DIP

For additional information regarding our products, please visit CADEKA at: cadeka.com

CADEKA Headquarters Loveland, Colorado

T: 970.663.5452

T: 877.663.5452 (toll free)

CADEKA, the CADEKA logo design, COMLINEAR and the COMLINEAR logo design are trademarks or registered trademarks of CADEKA Microcircuits LLC. All other brand and product names may be trademarks of their respective companies.

CADEKA reserves the right to make changes to any products and services herein at any time without notice. CADEKA does not assume any responsibility or liability arising out of the application or use of any product or service described herein, except as expressly agreed to in writing by CADEKA; nor does the purchase, lease, or use of a product or service from CADEKA convey a license under any patent rights, copyrights, trademark rights, or any other of the intellectual property rights of CADEKA or of third parties.

Copyright ©2007-2008 by CADEKA Microcircuits LLC. All rights reserved.

 **CADEKA**[®]
Amplify the Human Experience