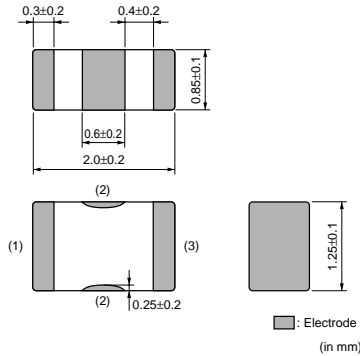


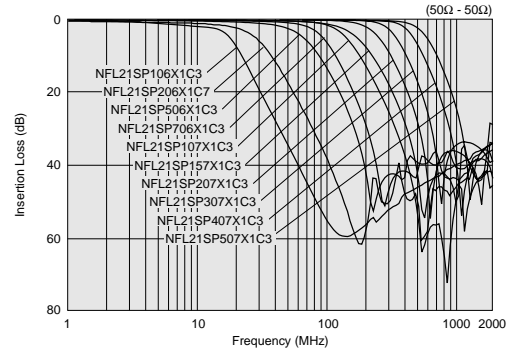
EMIFIL® (LC Combined) Multilayer Type

NFL21SP Series (0805 Size)

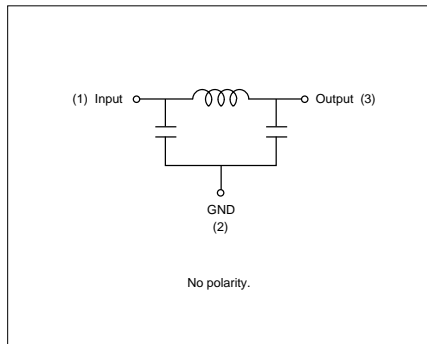
■ Dimensions



■ Insertion Loss Characteristics (Main Items)



■ Equivalent Circuit



■ Packaging

Code	Packaging	Minimum Quantity
D	180mm Paper Tape	4000
B	Bulk(Bag)	1000

■ Rated Value (□: packaging code)

Part Number	Nominal Cut-off Frequency	Capacitance	Inductance	Rated Voltage	Rated Current	Insulation Resistance (min.)	Operating Temperature Range
NFL21SP106X1C3□	10MHz	670pF+20%-20%	680nH+20%-20%	16Vdc	100mA	1000M ohm	-55°C to +125°C
NFL21SP206X1C7□	20MHz	240pF+20%-20%	700nH+20%-20%	16Vdc	100mA	1000M ohm	-55°C to +125°C
NFL21SP506X1C3□	50MHz	84pF+20%-20%	305nH+20%-20%	16Vdc	150mA	1000M ohm	-55°C to +125°C
NFL21SP706X1C3□	70MHz	76pF+20%-20%	185nH+20%-20%	16Vdc	150mA	1000M ohm	-55°C to +125°C
NFL21SP107X1C3□	100MHz	44pF+20%-20%	135nH+20%-20%	16Vdc	200mA	1000M ohm	-55°C to +125°C
NFL21SP157X1C3□	150MHz	28pF+20%-20%	128nH+20%-20%	16Vdc	200mA	1000M ohm	-55°C to +125°C
NFL21SP207X1C3□	200MHz	22pF+20%-20%	72nH+20%-20%	16Vdc	250mA	1000M ohm	-55°C to +125°C
NFL21SP307X1C3□	300MHz	19pF+10%-10%	45nH+10%-10%	16Vdc	300mA	1000M ohm	-55°C to +125°C
NFL21SP407X1C3□	400MHz	16pF+10%-10%	34nH+10%-10%	16Vdc	300mA	1000M ohm	-55°C to +125°C
NFL21SP507X1C3□	500MHz	12pF+10%-10%	31nH+10%-10%	16Vdc	300mA	1000M ohm	-55°C to +125°C


Number of Circuits: 1

Continued on the following page.

● This data sheet is applied for LC Combined CHIP EMIFIL® used for General Electronics equipment for your design.

⚠ Note:

- This datasheet is downloaded from the website of Murata Manufacturing co., Ltd. Therefore, it's specifications are subject to change or our products in it may be discontinued without advance notice. Please check with our sales representatives or product engineers before ordering.
- This datasheet has only typical specifications because there is no space for detailed specifications. Therefore, please approve our product specifications or transact the approval sheet for product specifications before ordering.

 Continued from the preceding page.

■ Caution/Notice

Caution (Rating)

Do not use products beyond the rated current and rated voltage as this may create excessive heat and deteriorate the insulation resistance.

Notice

Solderability of Tin plating termination chip might be deteriorated when low temperature soldering profile where peak solder temperature is below the Tin melting point is used. Please confirm the solderability of Tin plating termination chip before use.

● This data sheet is applied for LC Combined CHIP EMIFIL® used for General Electronics equipment for your design.

Note:

1. This datasheet is downloaded from the website of Murata Manufacturing co., Ltd. Therefore, it's specifications are subject to change or our products in it may be discontinued without advance notice. Please check with our sales representatives or product engineers before ordering.
2. This datasheet has only typical specifications because there is no space for detailed specifications. Therefore, please approve our product specifications or transact the approval sheet for product specifications before ordering.