

**Radiation Hardened Dual-D Flip-Flop with Set and Reset**

Intersil's Satellite Applications Flow™ (SAF) devices are fully tested and guaranteed to 100kRAD total dose. These QML Class T devices are processed to a standard flow intended to meet the cost and shorter lead-time needs of large volume satellite manufacturers, while maintaining a high level of reliability.

The Intersil HCTS74T is a Radiation Hardened positive edge triggered flip-flop with set and reset.

**Specifications**

Specifications for Rad Hard QML devices are controlled by the Defense Supply Center in Columbus (DSCC). The SMD numbers listed below must be used when ordering.

**Detailed Electrical Specifications for the HCTS74T are contained in SMD 5962-95763.** A "hot-link" is provided from our website for downloading.

[www.intersil.com/spacedefense/newsafclasst.asp](http://www.intersil.com/spacedefense/newsafclasst.asp)

Intersil's Quality Management Plan (QM Plan), listing all Class T screening operations, is also available on our website.

[www.intersil.com/quality/manuals.asp](http://www.intersil.com/quality/manuals.asp)

**Ordering Information**

ORDERING NUMBER	PART NUMBER	TEMP. RANGE (°C)
5962R9576301TCC	HCTS74DTR	-55 to 125
5962R9576301TXC	HCTS74KTR	-55 to 125

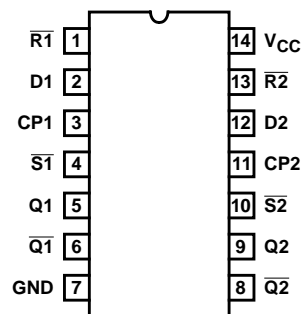
NOTE: **Minimum order quantity for -T is 150 units through distribution, or 450 units direct.**

**Features**

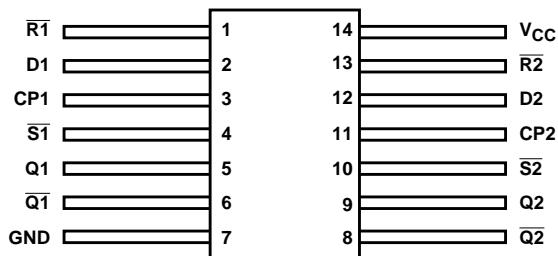
- QML Class T, Per MIL-PRF-38535
- Radiation Performance
  - Gamma Dose ( $\gamma$ )  $1 \times 10^5$  RAD(Si)
  - Latch-Up Free Under Any Conditions
  - SEP Effective LET No Upsets:  $>100$  MEV-cm<sup>2</sup>/mg
  - Single Event Upset (SEU) Immunity  $< 2 \times 10^{-9}$  Errors/Bit-Day (Typ)
- 3 Micron Radiation Hardened SOS CMOS
- Significant Power Reduction Compared to LSTTL ICs
- DC Operating Voltage Range: 4.5V to 5.5V
- LSTTL Input Compatibility
  - $V_{IL} = 0.8V$  Max
  - $V_{IH} = V_{CC}/2$  Min
- Input Current Levels  $I_i \leq 5mA$  at  $V_{OL}, V_{OH}$

**Pinouts**

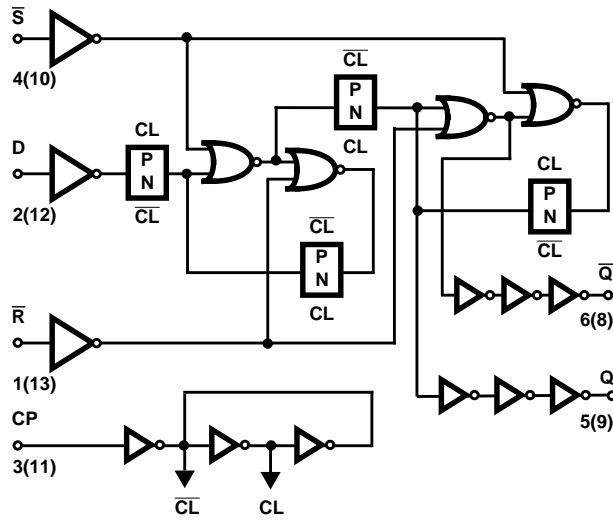
**HCTS74T (SBDIP), CDIP2-T14  
TOP VIEW**





**HCTS74T (FLATPACK), CDFP3-F14  
TOP VIEW**




Functional Diagram



TRUTH TABLE

INPUTS				OUTPUTS	
SET	RESET	CP	D	Q	$\bar{Q}$
L	H	X	X	H	L
H	L	X	X	L	H
L	L	X	X	H <sup>†</sup>	H <sup>†</sup>
H	H		H	H	L
H	H		L	L	H
H	H	L	X	Q <sub>0</sub>	$\bar{Q}_0$

NOTE: L = Logic Level Low, H = Logic Level High, X = Don't Care  
 = Transition from Low to High Level.

Q<sub>0</sub> = The level of Q before the indicated input conditions were established.

<sup>†</sup> This configuration is non-stable, that is, it will not persist when set and reset inputs return to their inactive (High) level.

# HCTS74T

## Die Characteristics

### DIE DIMENSIONS:

(2261 $\mu$ m x 2235 $\mu$ m x 533 $\mu$ m  $\pm$ 51 $\mu$ m)  
89 x 88 x 21mils  $\pm$ 2mil

### METALLIZATION:

Type: Al Si  
Thickness: 11k $\text{\AA}$   $\pm$ 1k $\text{\AA}$

### SUBSTRATE POTENTIAL:

Unbiased (Silicon on Sapphire)

### BACKSIDE FINISH:

Sapphire

### PASSIVATION:

Type: Silox (SiO<sub>2</sub>)  
Thickness: 13k $\text{\AA}$   $\pm$ 2.6k $\text{\AA}$

### WORST CASE CURRENT DENSITY:

< 2.0e5 A/cm<sup>2</sup>

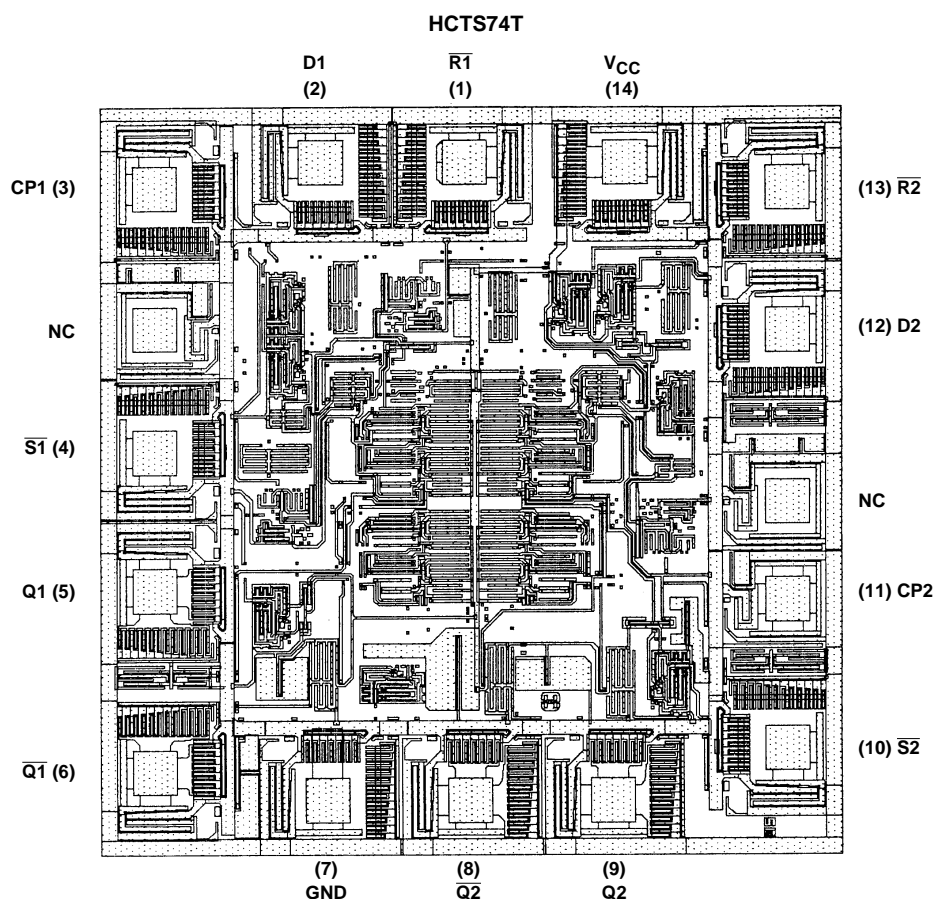
### TRANSISTOR COUNT:

200

### PROCESS:

CMOS SOS

## Metallization Mask Layout



NOTE: The die diagram is a generic plot from a similar HCS device. It is intended to indicate approximate die size and bond pad location. The mask series for the HCTS74 is TA14438A.

All Intersil semiconductor products are manufactured, assembled and tested under **ISO9000** quality systems certification.

*Intersil semiconductor products are sold by description only. Intersil Corporation reserves the right to make changes in circuit design and/or specifications at any time without notice. Accordingly, the reader is cautioned to verify that data sheets are current before placing orders. Information furnished by Intersil is believed to be accurate and reliable. However, no responsibility is assumed by Intersil or its subsidiaries for its use; nor for any infringements of patents or other rights of third parties which may result from its use. No license is granted by implication or otherwise under any patent or patent rights of Intersil or its subsidiaries.*

For information regarding Intersil Corporation and its products, see web site <http://www.intersil.com>