

Single-Stage Power Factor Corrected Off-Line Switching Regulator IC

Features and Benefits

- Integrated on-width control circuit (it realizes high power factor by average current control)
- Integrated startup circuit (no external startup circuit necessary)
- Integrated soft-start circuit (reduces power stress during start-up on the incorporated power MOSFET and output diode)
- Integrated bias assist circuit (improves the startup performance, suppresses V_{CC} voltage droop during operation, allows reduction of V_{CC} capacitor value as well as use of a ceramic capacitor)
- Integrated Leading Edge Blanking (LEB) circuit
- Integrated maximum on-time limit circuit
- Dual-chip structure, with an avalanche-guaranteed power MOSFET (allows simplified surge suppressing circuits)
- Protection features:
 - Overcurrent protection (OCP): pulse-by-pulse
 - Overvoltage protection (OVP): pins V_{CC} , OVP, and OCP, intermittent oscillation operation
 - Overload protection (OLP): intermittent oscillation operation
 - Thermal shutdown (TSD): halts switching operation and latches in the off-state

Description

The LC5500 series is a quasi-resonant topology switching power supply IC, designed for input capacitorless applications, and making it possible for systems to comply with the harmonics standard (IEC61000-3-2 class C). It incorporates separate controller and power MOSFET chips. The controller adapts the average current control method for realizing high power factors, and the quasi-resonant topology contributes to high efficiency and low EMI noise. The rich set of protection features helps to realize low component counts, and high performance-to-cost power supply.

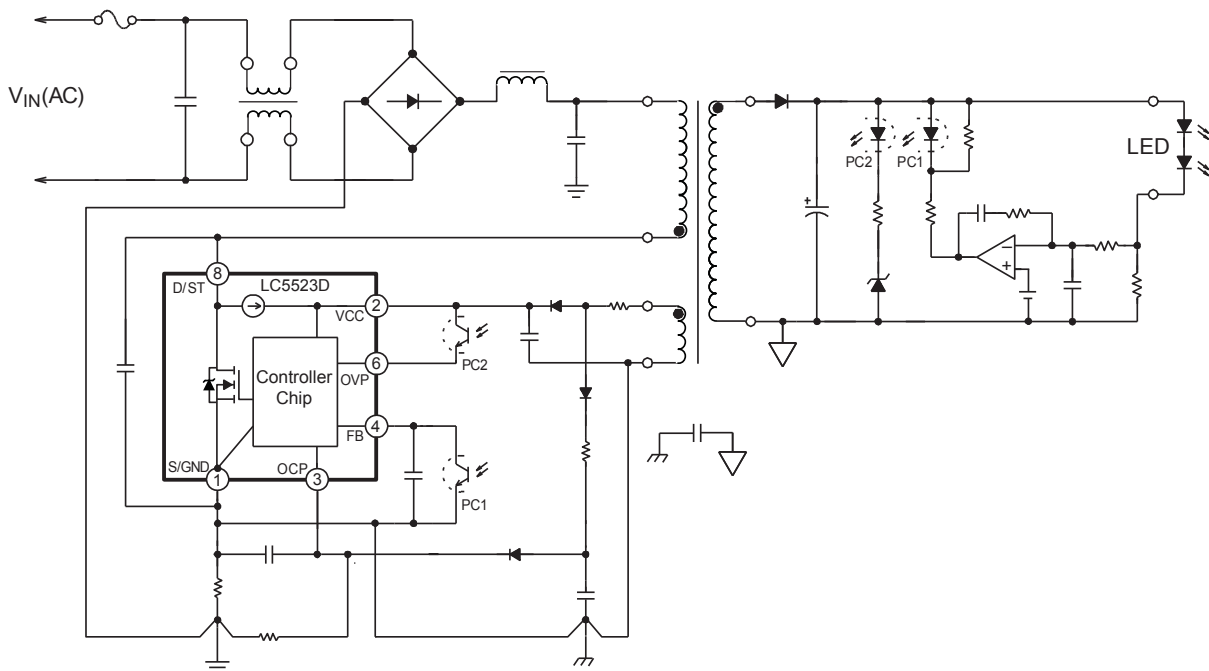
The LC5523D is intended for isolated designs. The incorporated MOSFET has a $V_{DSS(min)}$ rating of 650 V and $R_{DS(on)(max)}$ of 1.9 Ω . It is capable of a maximum output power of 20 W on 230 VAC supply and 16 W on universal supply based on the thermal rating. Note that the maximum output power can be up to 120% to 140% of this value. However, it may be limited in applications with low output voltage or short duty cycle.

Package: 8-pin DIP



Not to scale

Typical Application



LC5523D

Single-Stage Power Factor Corrected Off-Line Switching Regulator IC

Selection Guide

Part Number	Package	Packing
LC5523D	DIP8 with pin 7 removed	50 pieces per tube

Absolute Maximum Ratings $T_A = 25^\circ\text{C}$, unless otherwise specified

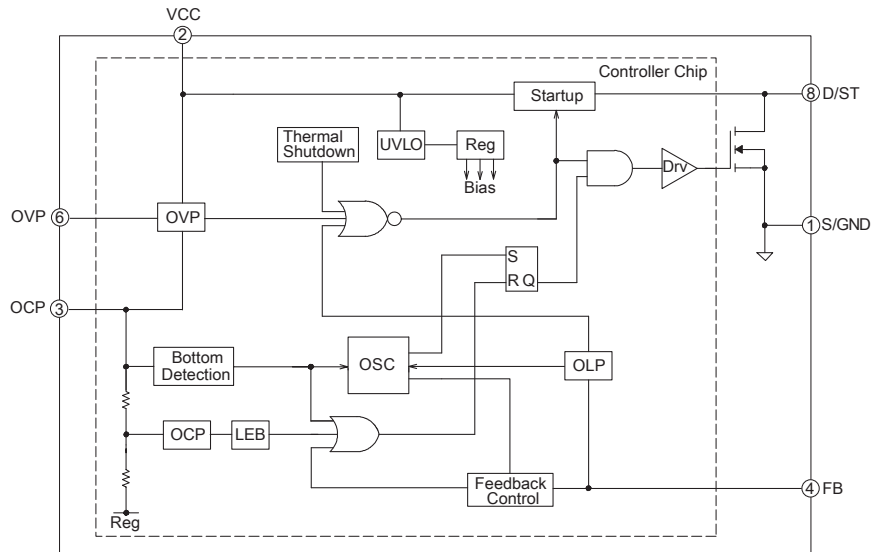
Characteristic	Symbol	Notes	Pins	Rating	Unit
Drain Current ¹	I_{DPeak}	Single pulse	8 – 1	4.0	A
Single Pulse Avalanche Energy ²	E_{AS}	$I_{LPeak} = 2.7\text{ A}$, $V_{DD} = 99\text{ V}$, $L = 20\text{ mH}$	8 – 1	86	mJ
Input Voltage in Control Part	V_{CC}		2 – 1	35	V
OCP Terminal Voltage	V_{OCP}		3 – 1	-2.0 to 5.0	V
FB Terminal Voltage	V_{FB}		4 – 1	-0.3 to 7.0	V
OVP Terminal Voltage	V_{OVP}		6 – 1	-0.3 to 5.0	V
Power Dissipation in MOSFET ³	P_{D1}	When embedding this hybrid IC onto the printed circuit board (board size 15 mm × 15 mm)	8 – 1	0.97	W
Operating Ambient Temperature	T_{OP}		—	-55 to 125	°C
Storage Temperature	T_{stg}		—	-55 to 125	°C
Channel Temperature	T_{ch}		—	150	°C

¹Refer to MOSFET Safe Operating Area Curve.

²Refer to MOSFET Avalanche Energy Derating Coefficient Curve.

³Refer to MOSFET Temperature versus Power Dissipation Curve.

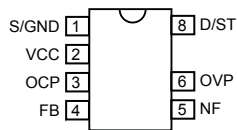
Functional Block Diagram



LC5523D Terminal List Table

Number	Name	Function
1	S/GND	MOSFET source and GND terminal for the Controller chip
2	VCC	Supply voltage input
3	OCP	Overcurrent protection and quasi-resonant signal input terminal
4	FB	Feedback signal input and Overload protection (OLP) signal input
5	NF	No function; must be externally connected to S/GND pin with as short a trace as possible, for stable operation of the device
6	OVP	Overvoltage protection (OVP) signal input
7	-	Pin removed
8	D/ST	MOSFET drain terminal and input of the startup current

Pin-out Diagram



ELECTRICAL CHARACTERISTICS (Control Part)¹ T_A = 25°C, V_{CC} = 20 V, unless otherwise specified

Characteristics	Symbol	Test Conditions	Pins	Min.	Typ.	Max.	Unit
Power Supply Start-up Operation							
Operation Start Voltage	V _{CC(ON)}		2 – 1	13.8	15.1	17.3	V
Operation Stop Voltage ²	V _{CC(OFF)}		2 – 1	8.4	9.4	10.7	V
Circuit Current in Operation	I _{CC(ON)}		2 – 1	–	–	3.7	mA
Startup Circuit Operation Voltage	V _{STARTUP}		8 – 1	42	57	72	V
Startup Current	I _{CC(STARTUP)}	V _{D/ST} = 100 V, V _{CC} = 13 V	2 – 1	–5.5	–3.0	–1.0	mA
Startup Current Supplying Threshold Voltage-1 ²	V _{CC(BIAS)1}	V _{D/ST} = 100 V	2 – 1	9.5	11.0	12.5	V
Startup Current Supplying Threshold Voltage-2	V _{CC(BIAS)2}	V _{D/ST} = 100 V	2 – 1	14.4	16.6	18.8	V
Normal Operation							
Oscillation Minimum Frequency	f _{OSC}		8 – 1	11.0	14.0	18.0	kHz
Maximum On Time	t _{ON(MAX)}		8 – 1	30.0	40.0	50.0	μs
FB Terminal Minimum Voltage in Feedback Operation	V _{FB(MIN)}		4 – 1	0.55	0.90	1.25	V
Maximum Feedback Current	I _{FB(MAX)}		4 – 1	–10	–25	–40	μA
Leading Edge Blanking Time	t _{BW}		3 – 1	–	500	–	ns
Quasi-Resonant Operation Threshold Voltage-1	V _{BD(TH1)}		3 – 1	0.14	0.24	0.34	V
Quasi-Resonant Operation Threshold Voltage-2	V _{BD(TH2)}		3 – 1	0.12	0.17	0.22	V
Protection Operation							
Over-Current Detection Threshold Voltage	V _{OCP}		3 – 1	–0.54	–0.60	–0.66	V
OCP Terminal Source Current	I _{OCP}		3 – 1	–120	–40	–10	μA
OVP Operation Voltage of OCP Terminal	V _{OCP(OVP)}		3 – 1	2.2	2.6	3.0	V
OLP Threshold Voltage	V _{FB(OLP)1}		4 – 1	5.0	5.5	6.0	V
OLP Threshold Voltage	V _{FB(OLP)2}		4 – 1	4.1	4.5	4.9	V
OVP Terminal Threshold Voltage	V _{OVP(TH)}		6 – 1	1.6	2.0	2.4	V
OVP Operation Voltage of VCC Terminal	V _{CC(OVP)}		2 – 1	28.5	31.5	34.0	V
Thermal Shutdown Operating Temperature	T _{J(TSD)}		–	135	–	–	°C

¹The current ratings are based on those of the IC, and plus (+) represents sink and minus (-) represents source.

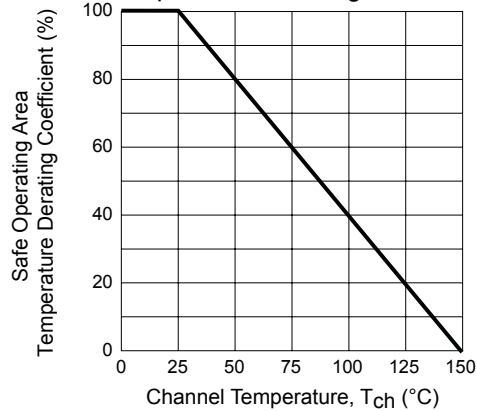
²The relation V_{CC(BIAS)1} > V_{CC(OFF)} is applied for each product.

ELECTRICAL CHARACTERISTICS (MOSFET) $T_A = 25^\circ\text{C}$, $V_{CC} = 20\text{ V}$, unless otherwise specified

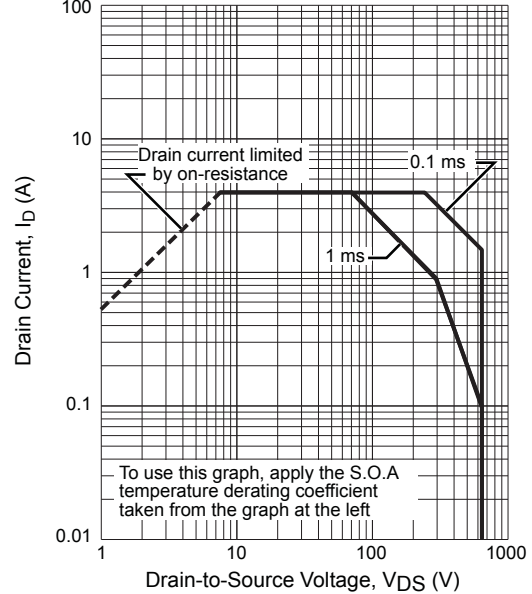
Characteristics	Symbol	Test Conditions	Pins	Min.	Typ.	Max.	Unit
Drain-to-Source Breakdown Voltage	V_{DSS}	$I_{DSS} = 300\ \mu\text{A}$	8 – 1	650	—	—	V
Drain Leakage Current	I_{DSS}	$V_{DSS} = 650\text{ V}$	8 – 1	—	—	300	μA
Circuit Current in Operation	$R_{DS(on)}$	$I_{DS} = 0.4\text{ A}$	8 – 1	—	—	1.9	Ω
Switching Time	t_r		8 – 1	—	—	400	ns
Thermal Resistance	$R_{\theta\text{ch-c}}$	Between channel and case; case temperature, T_C , measured at the center of the marking side	—	—	—	35.5	$^\circ\text{C/W}$

Characteristic Performance

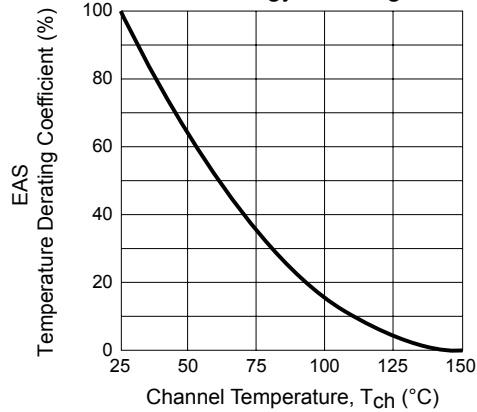
S. O. A. Temperature Derating Coefficient Curve



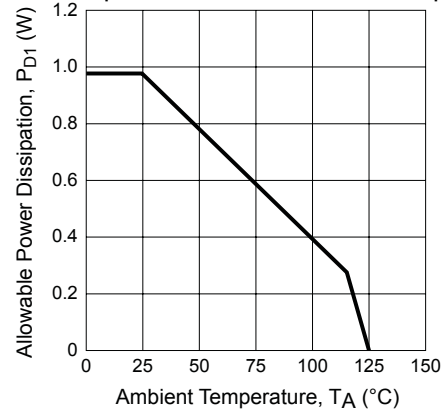
MOSFET Safe Operating Area Curve



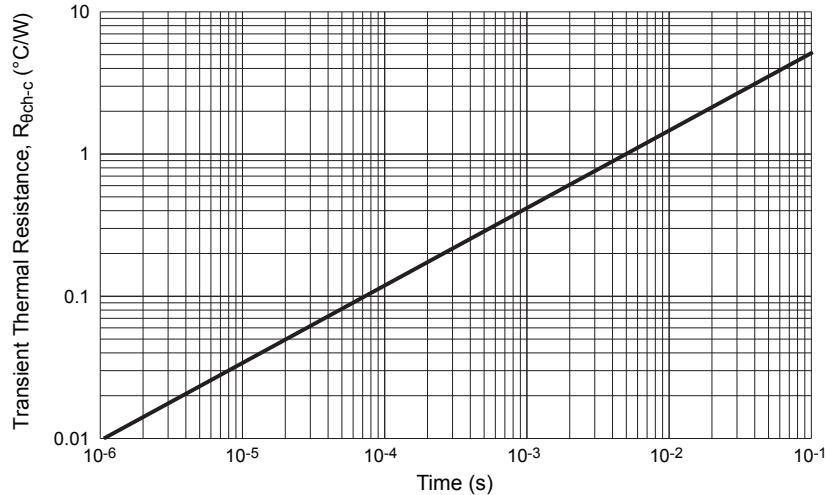
MOSFET Avalanche Energy Derating Coefficient Curve



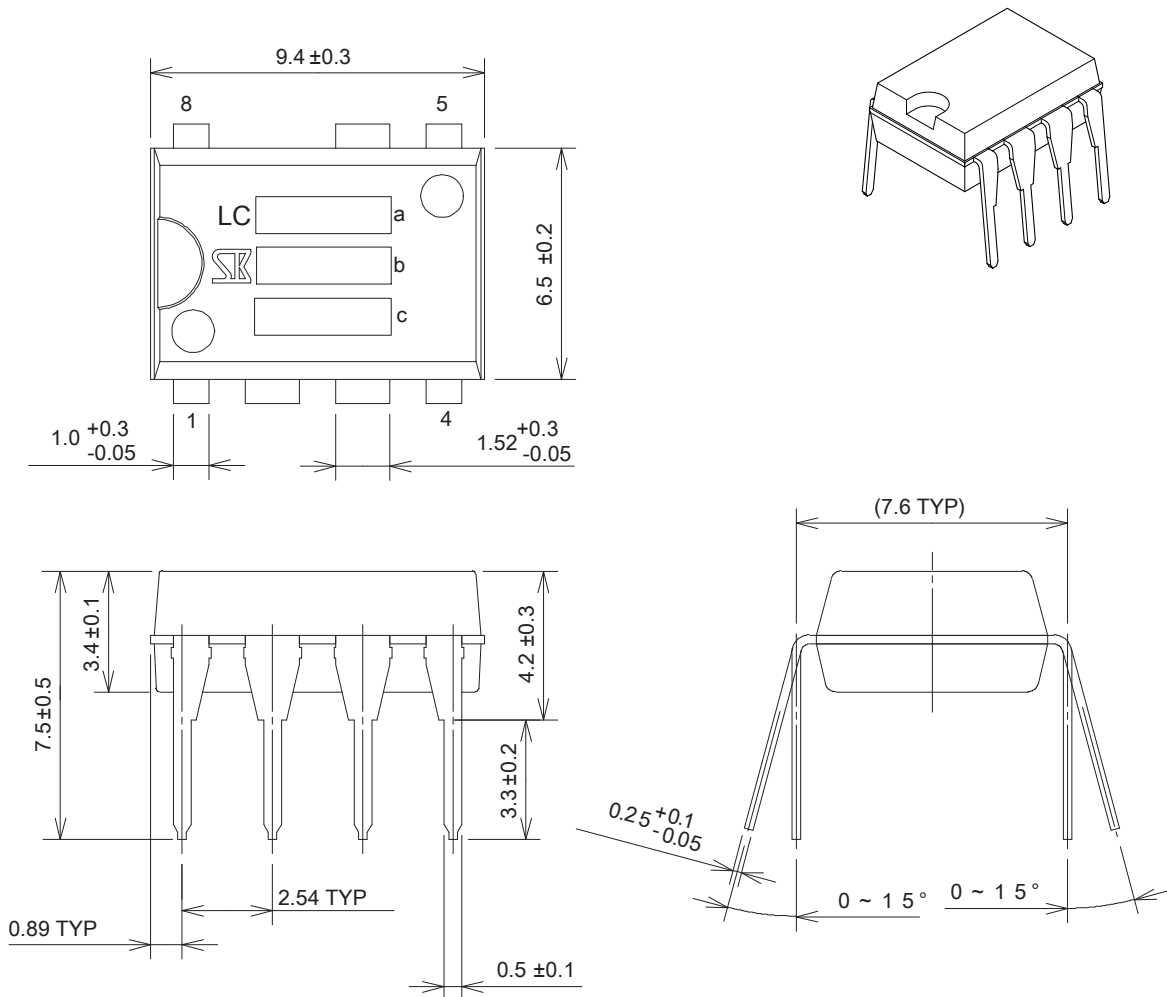
MOSFET Temperature versus Power Dissipation Curve



Transient Thermal Resistance Curve



Package Outline Drawing, DIP8



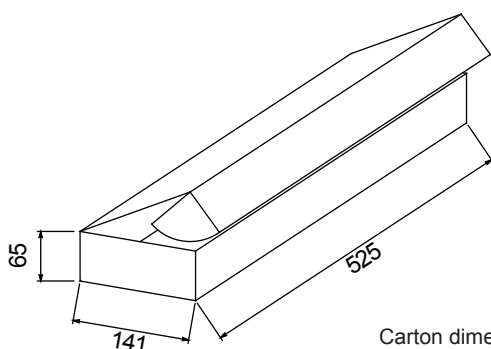
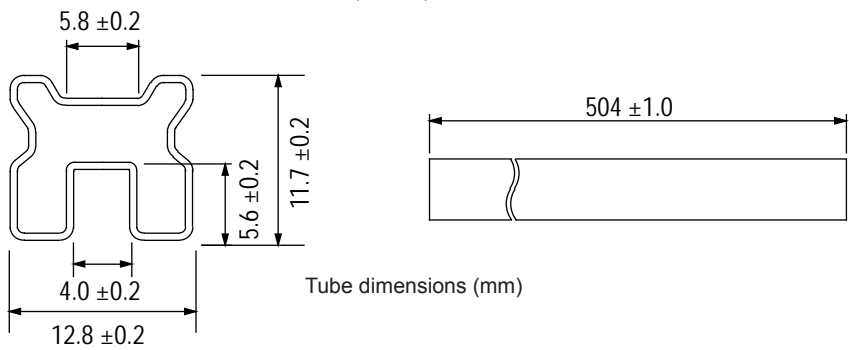
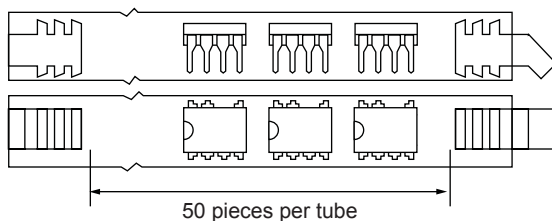
Unit: mm
 Leadframe Material: Cu
 Pin plating : Solder Plating
 Weight : Approximately 0.51g

a: Part #: 5523
 b: Lot number 3 digits, plus D
 1st letter: Last digit of year
 2nd letter: Month
 Jan to September: Numeric
 October: O
 November: N
 December: D
 3rd letter: Week
 Date 1 to 10: 1
 Date 11 to 20: 2
 Date 21 to 31: 3
 c: Internal use control number

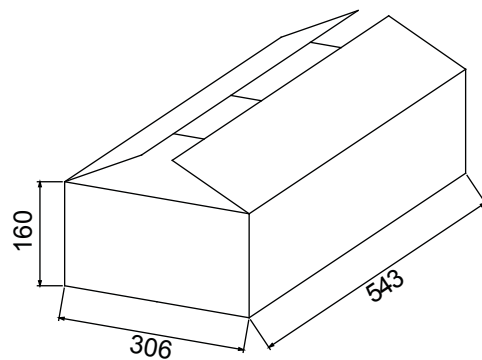


Leadframe plating Pb-free. Device composition compliant with the RoHS directive.

Packing Specifications



50 tubes per inner carton (maximum)
2500 pieces maximum per inner carton



4 inner cartons per outer carton (maximum)
10,000 pieces maximum per outer carton

Because reliability can be affected adversely by improper storage environments and handling methods, please observe the following cautions.

Cautions for Storage

- Ensure that storage conditions comply with the standard temperature (5°C to 35°C) and the standard relative humidity (around 40% to 75%); avoid storage locations that experience extreme changes in temperature or humidity.
- Avoid locations where dust or harmful gases are present and avoid direct sunlight.
- Reinspect for rust on leads and solderability of products that have been stored for a long time.

Cautions for Testing and Handling

When tests are carried out during inspection testing and other standard test periods, protect the products from power surges from the testing device, shorts between the product pins, and wrong connections.

Remarks About Using Silicone Grease with a Heatsink

- When silicone grease is used in mounting this product on a heatsink, it shall be applied evenly and thinly. If more silicone grease than required is applied, it may produce excess stress.
- Volatile-type silicone greases may crack after long periods of time, resulting in reduced heat radiation effect. Silicone grease with low consistency (hard grease) may cause cracks in the mold resin when screwing the product to a heatsink.
- Our recommended silicone greases for heat radiation purposes, which will not cause any adverse effect on the product life, are indicated below:

Type	Suppliers
G746	Shin-Etsu Chemical Co., Ltd.
YG6260	Momentive Performance Materials Holding, Inc.
SC102	Dow Corning Toray Co., Ltd.

Soldering

- When soldering the products, please be sure to minimize the working time, within the following limits:
260±5°C 10 s
350±5°C 3 s (solder iron)
- Soldering iron should be at a distance of at least 1.5 mm from the body of the products

Electrostatic Discharge

- When handling the products, the operator must be grounded. Grounded wrist straps worn should have at least 1 MΩ of resistance from the operator to ground to prevent shock hazard, and it should be placed near the operator.
- Workbenches where the products are handled should be grounded and be provided with conductive table and floor mats.
- When using measuring equipment such as a curve tracer, the equipment should be grounded.
- When soldering the products, the head of soldering irons or the solder bath must be grounded in order to prevent leak voltages generated by them from being applied to the products.
- The products should always be stored and transported in Sanken shipping containers or conductive containers, or be wrapped in aluminum foil.

The products described herein are manufactured in Japan by Sanken Electric Co., Ltd. for sale by Allegro MicroSystems, Inc.

Sanken and Allegro reserve the right to make, from time to time, such departures from the detail specifications as may be required to permit improvements in the performance, reliability, or manufacturability of its products. Therefore, the user is cautioned to verify that the information in this publication is current before placing any order.

When using the products described herein, the applicability and suitability of such products for the intended purpose shall be reviewed at the users responsibility.

Application and operation examples described in this document are quoted for the sole purpose of reference for the use of the products herein and Sanken can assume no responsibility for any infringement of industrial property rights, intellectual property rights or any other rights of Sanken, Allegro, or any third party which may result from its use.

When using the products specified herein by either (i) combining other products or materials therewith or (ii) physically, chemically or otherwise processing or treating the products, please duly consider all possible risks that may result from all such uses in advance and proceed therewith at your own responsibility.

Although Sanken undertakes to enhance the quality and reliability of its products, the occurrence of failure and defect of semiconductor products at a certain rate is inevitable. Users of Sanken products are requested to take, at their own risk, preventative measures including safety design of the equipment or systems against any possible injury, death, fires or damages to the society due to device failure or malfunction.

Sanken products listed in this document are designed and intended for the use as components in general purpose electronic equipment or apparatus (home appliances, office equipment, telecommunication equipment, measuring equipment, etc.). Please return to us this document with your signature(s) or seal(s) prior to the use of the products herein.

When considering the use of Sanken products in the applications where higher reliability is required (traffic signal control systems or equipment, fire/ crime alarm systems, various safety devices, etc.), please contact your nearest Sanken sales representative to discuss, and then return to us this document with your signature(s) or seal(s) prior to the use of the products herein.

The use of Sanken products without the written consent of Sanken in the applications where extremely high reliability is required (aerospace equipment, nuclear power control systems, life support systems, etc.) is strictly prohibited.

Anti radioactive ray design is not considered for the products listed herein.

The information included herein is believed to be accurate and reliable. Application and operation examples described in this publication are given for reference only and Sanken and Allegro assume no responsibility for any infringement of industrial property rights, intellectual property rights, or any other rights of Sanken or Allegro or any third party that may result from its use. The contents in this document must not be transcribed or copied without Sanken's written consent.

Sanken assumes no responsibility for any troubles, such as dropping products caused during transportation out of Sanken's distribution network.

Worldwide ContactsAsia-Pacific**China****Sanken Electric Hong Kong Co., Ltd.**

Suite 1026, Ocean Centre
Canton Road, Tsimshatsui
Kowloon, Hong Kong
Tel: 852-2735-5262, Fax: 852-2735-5494

Sanken Electric (Shanghai) Co., Ltd.

Room 3202, Maxdo Centre
Xingyi Road 8, Changning District
Shanghai, China
Tel: 86-21-5208-1177, Fax: 86-21-5208-1757

Sanken Electric (Shanghai) Co., Ltd.**Shenzhen Office**

Room 1013, Xinhua Insurance Building
Mintian Road, Futian District
Shenzhen City, Guangdong, China
Tel: 86-755-3391-9356/9358, Fax: 86-755-3391-9368

Taiwan Sanken Electric Co., Ltd.

Room 1801, 18th Floor
88 Jung Shiau East Road, Sec. 2
Taipei 100, Taiwan R.O.C.
Tel: 886-2-2356-8161, Fax: 886-2-2356-8261

Japan**Sanken Electric Co., Ltd.****Overseas Sales Headquarters**

Metropolitan Plaza Building
1-11-1 Nishi-Ikebukuro, Toshima-ku
Tokyo 171-0021, Japan
Tel: 81-3-3986-6164, Fax: 81-3-3986-8637

Korea**Sanken Electric Korea Co., Ltd.**

Samsung Life Yeouido Building 16F
23-10, Yeouido-Dong, Yeongdeungpo-gu
Seoul 150-734, Korea
Tel: 82-2-714-3700, Fax: 82-2-3272-2145

Singapore**Sanken Electric Singapore Pte. Ltd.**

152 Beach Road, #10-06 The Gateway East
Singapore 189721
Tel: 65-6291-4755, Fax: 65-6297-1744

Europe**Sanken Power Systems (UK) Limited**

Pencoed Technology Park
Pencoed, Bridgend CF35 5HY, United Kingdom
Tel: 44-1656-869-100, Fax: 44-1656-869-162

North America**United States****Allegro MicroSystems, Inc.**

115 Northeast Cutoff
Worcester, Massachusetts 01606, U.S.A.
Tel: 1-508-853-5000, Fax: 1-508-853-7895

Allegro MicroSystems, Inc.

14 Hughes Street, Suite B105
Irvine, California 92618, U.S.A.
Tel: 1-949-460-2003, Fax: 1-949-460-7837